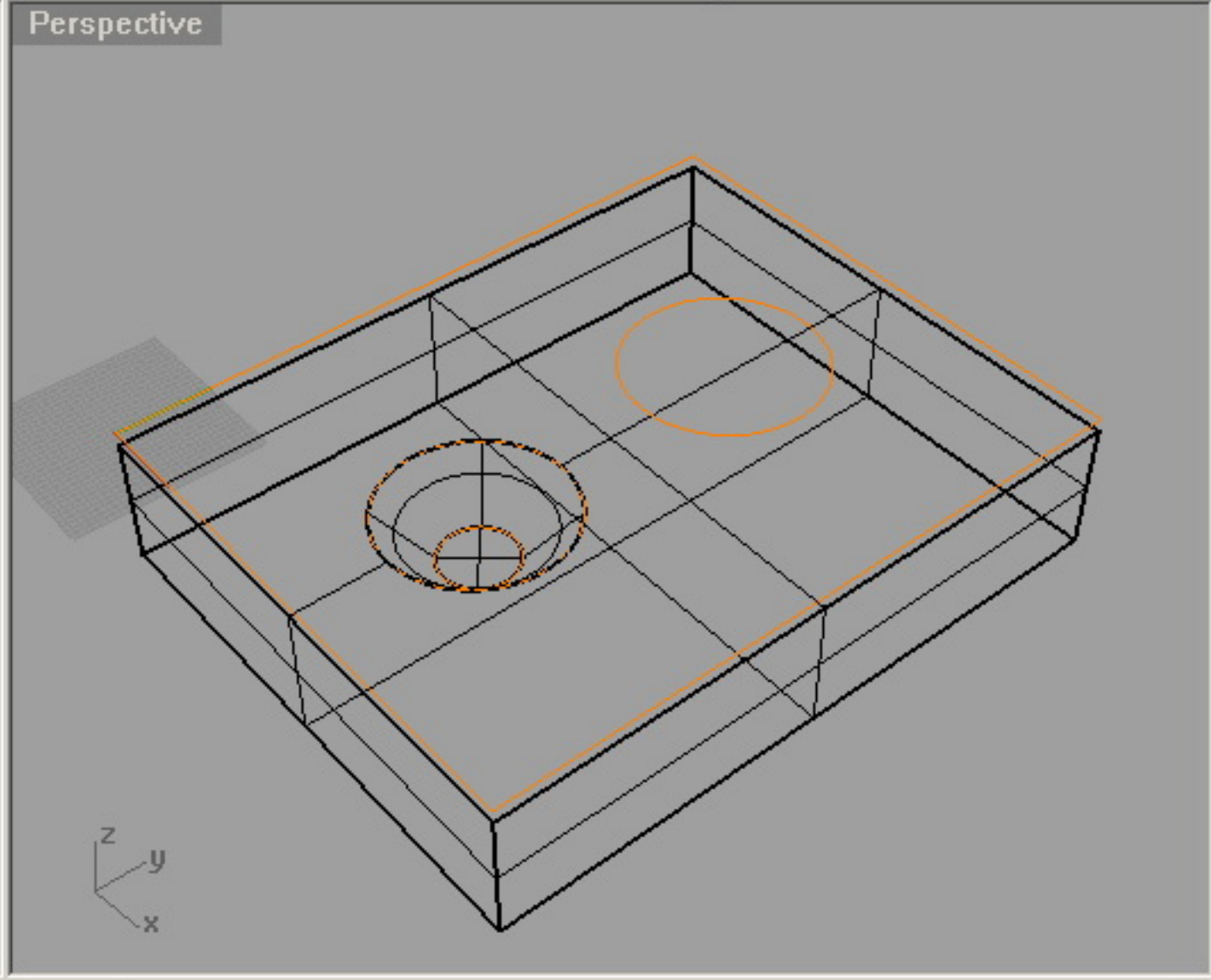
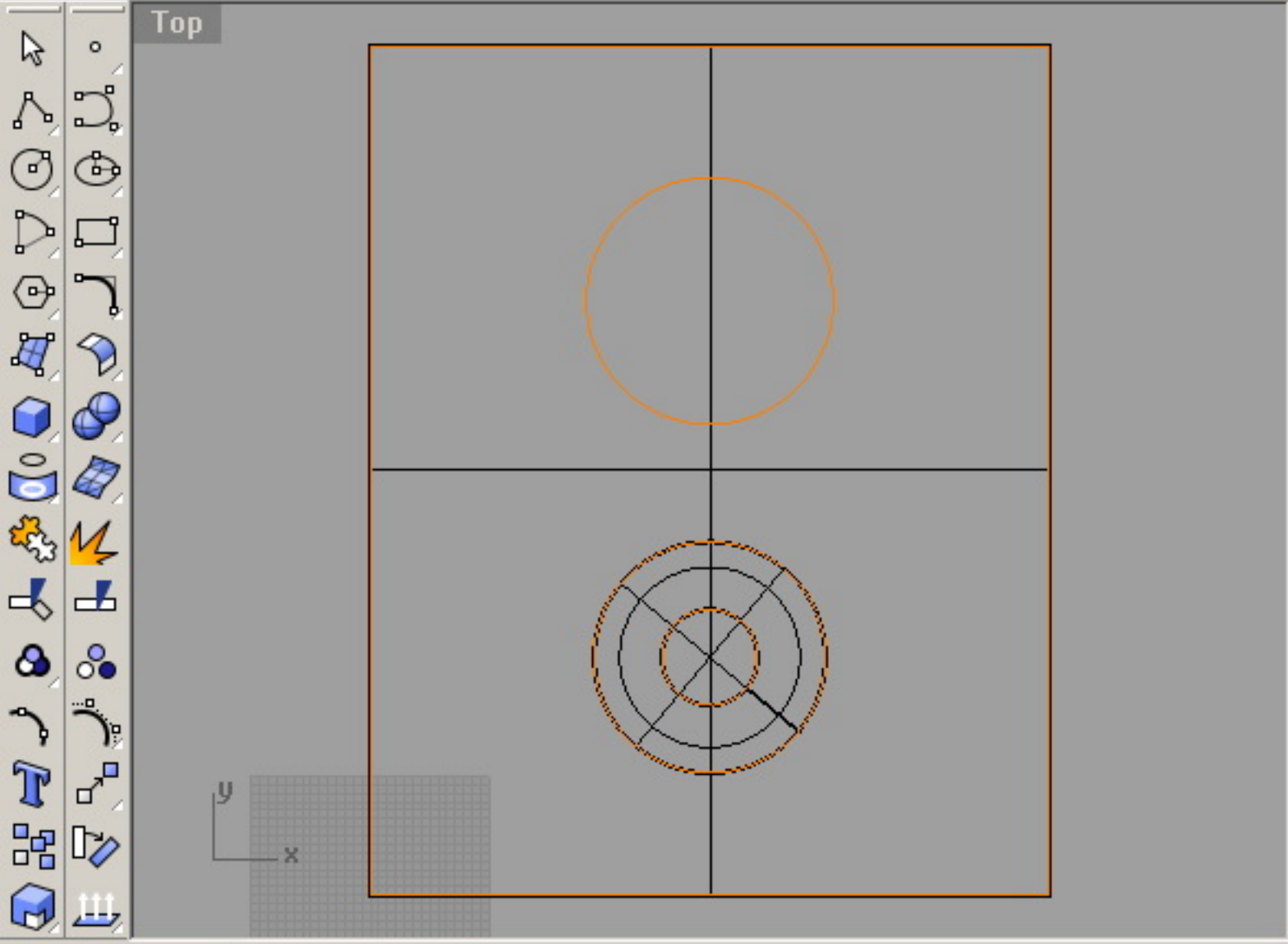


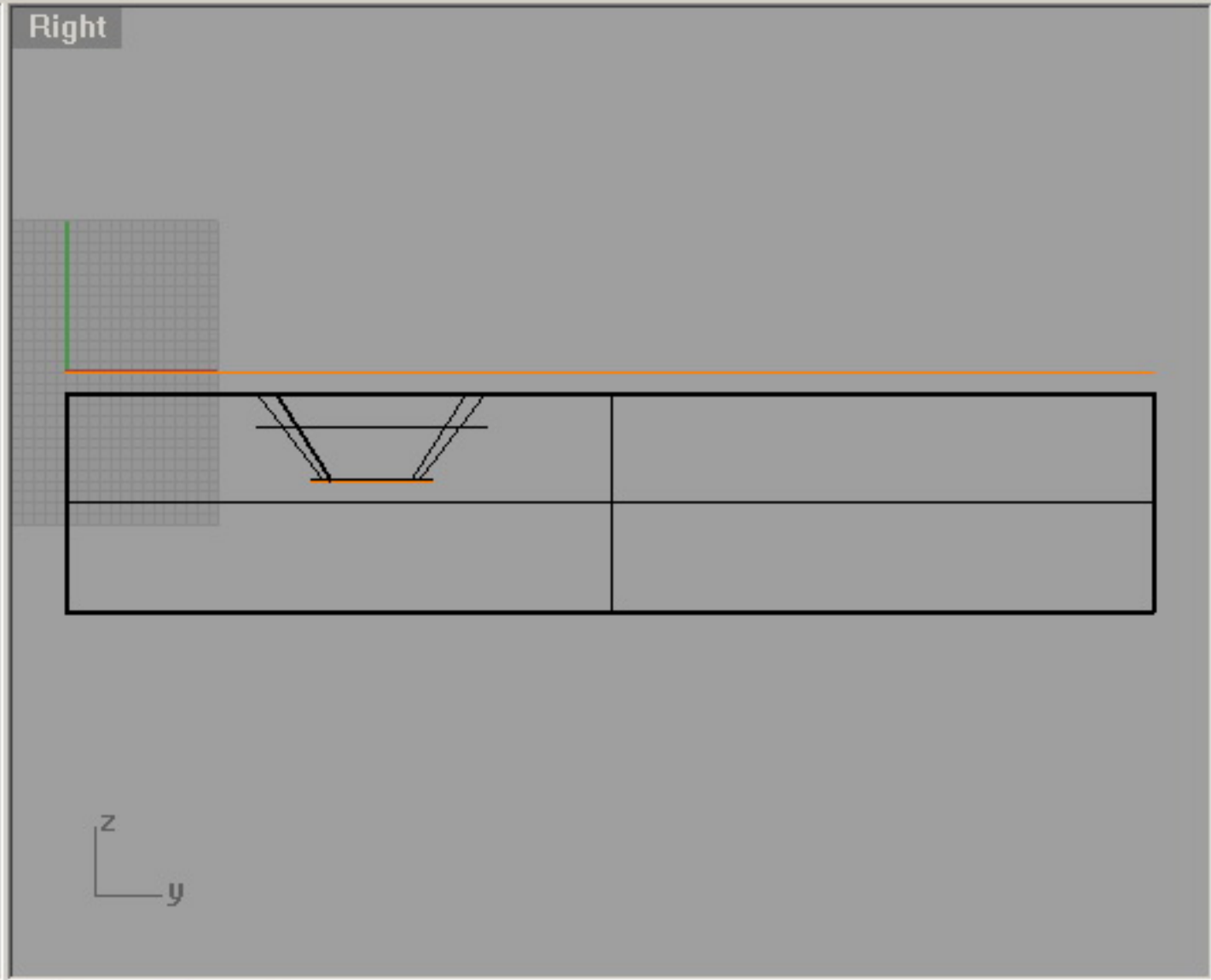
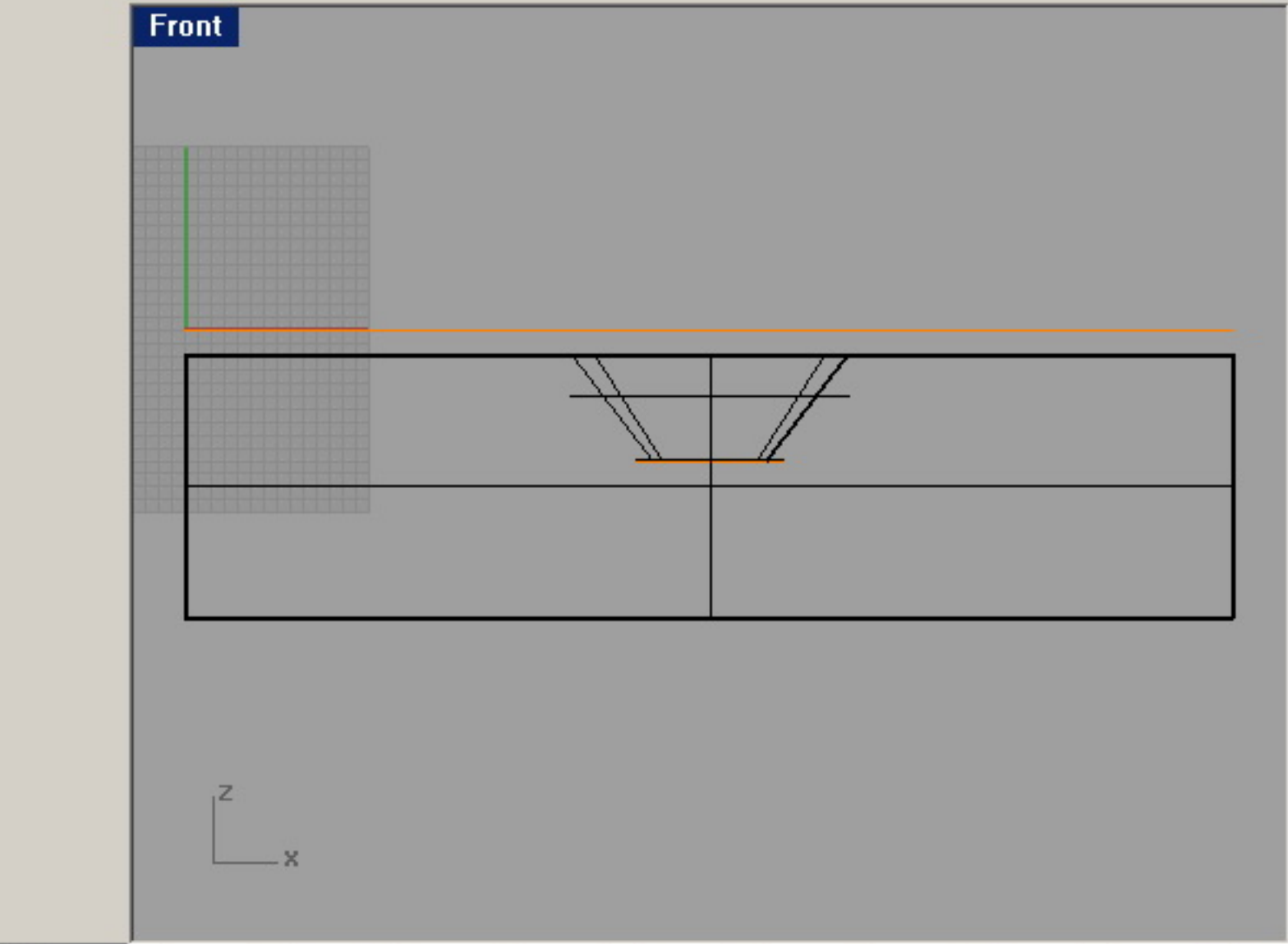
Command: \_Open

Command:



Layers - All Layers

Name	Color	Lock	Light
Default	Black	<input checked="" type="checkbox"/>	<input type="checkbox"/>
regions	Orange	<input type="checkbox"/>	<input type="checkbox"/>

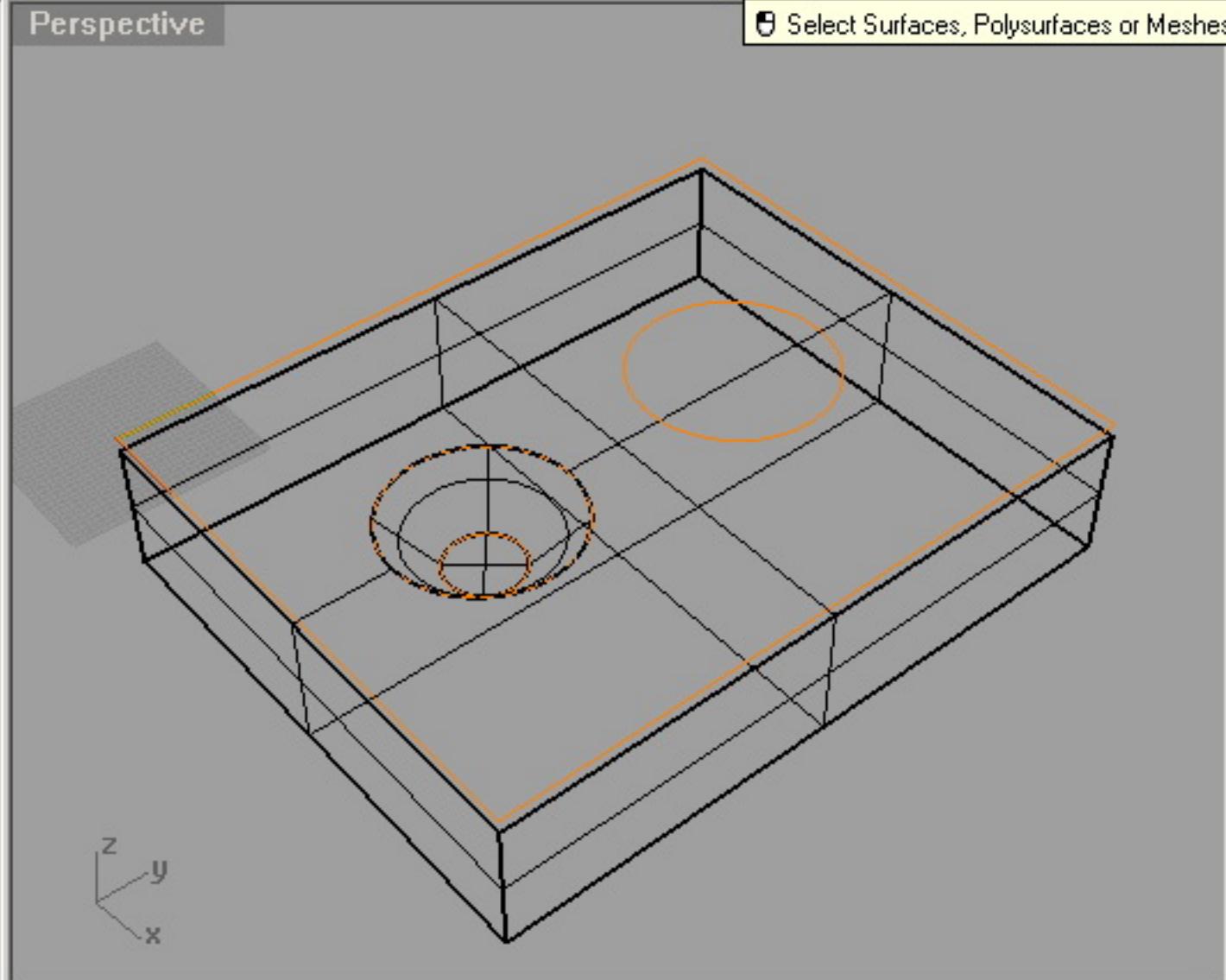
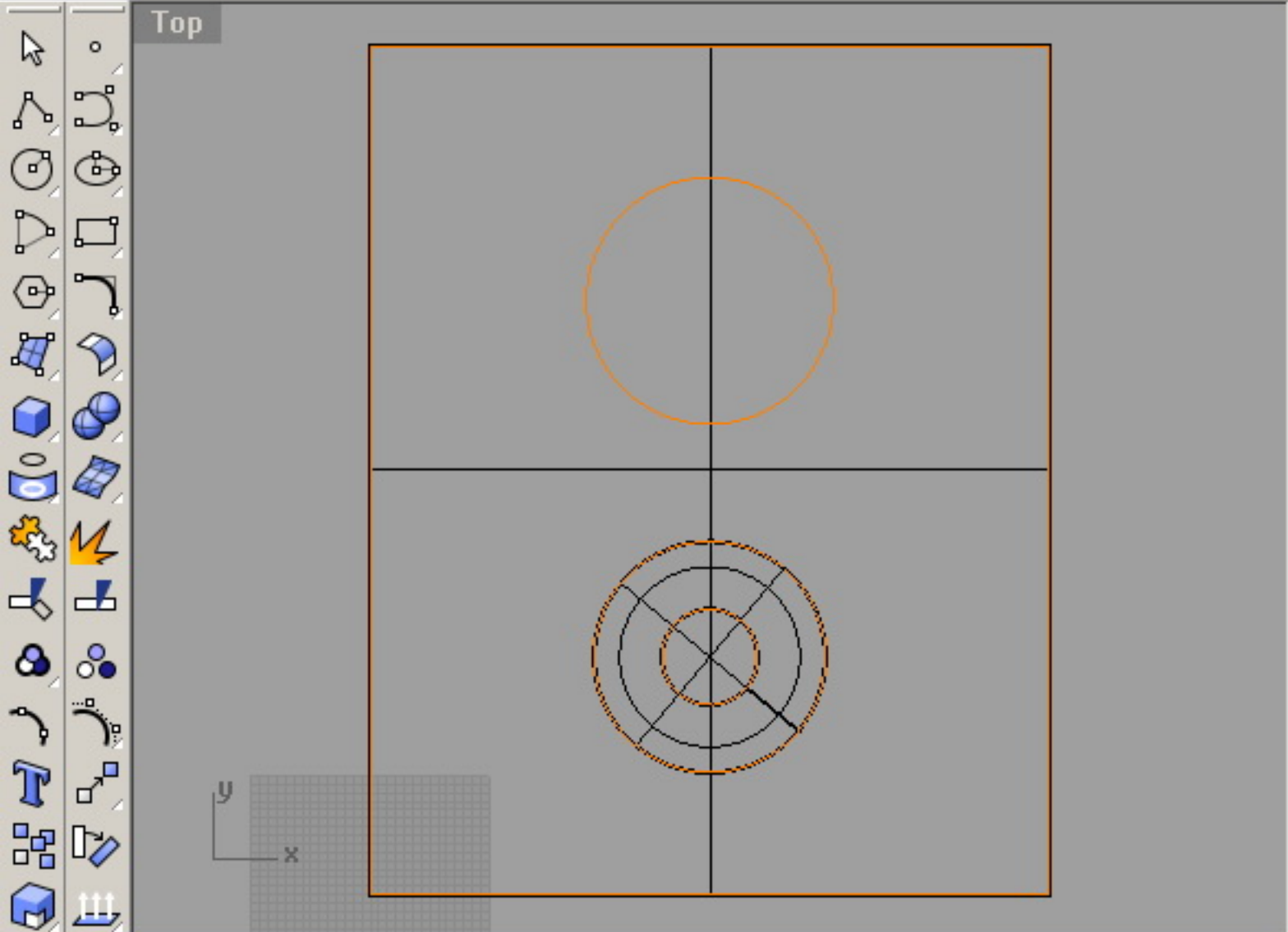


End  Near  Point  Mid  Cen  Int  Perp  Tan  Quad  Knot  Project  STrack  Disable

CPlane x 512.452 y -241.122 z 0.000 Default Snap Ortho Planar Osnap Record History

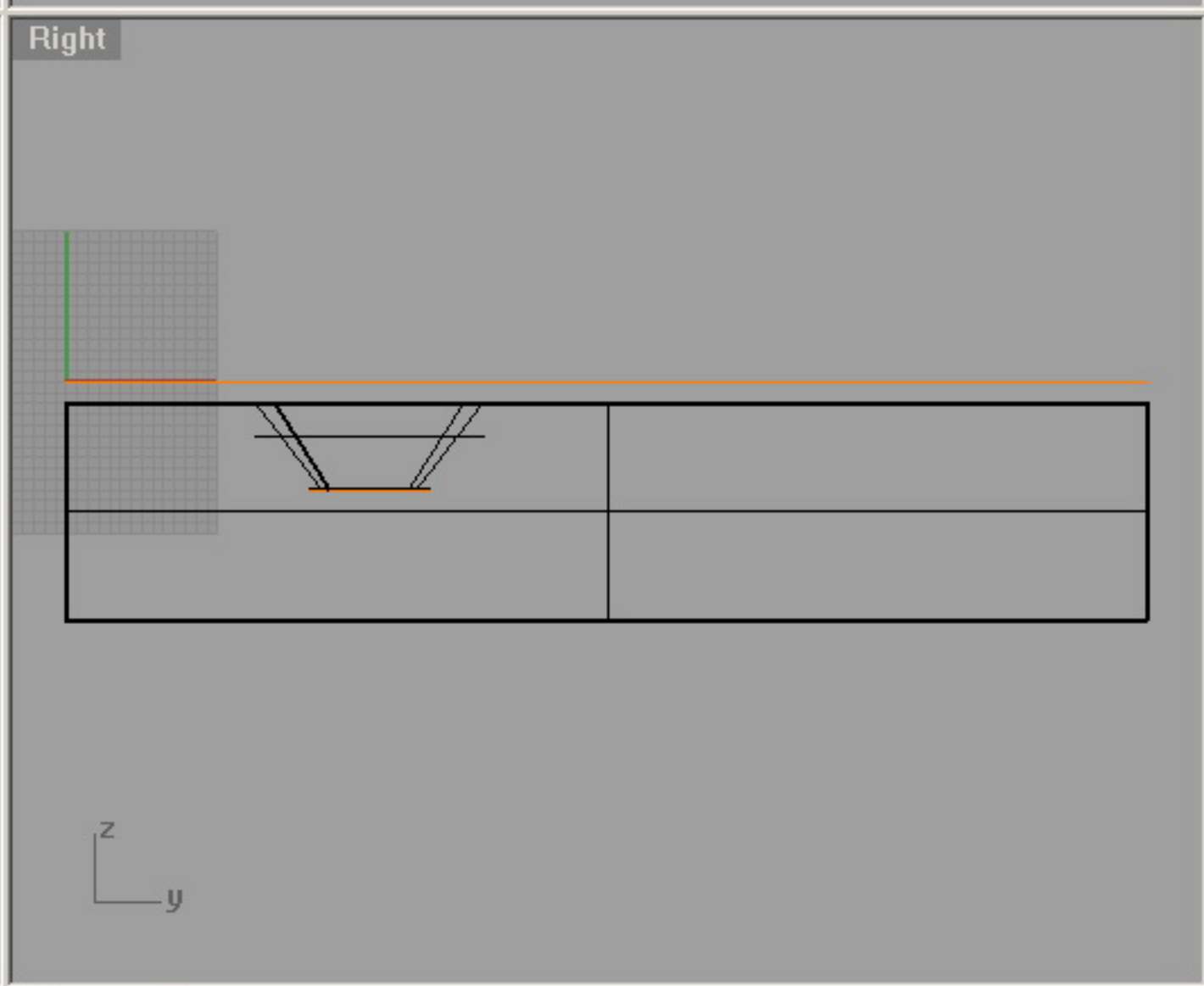
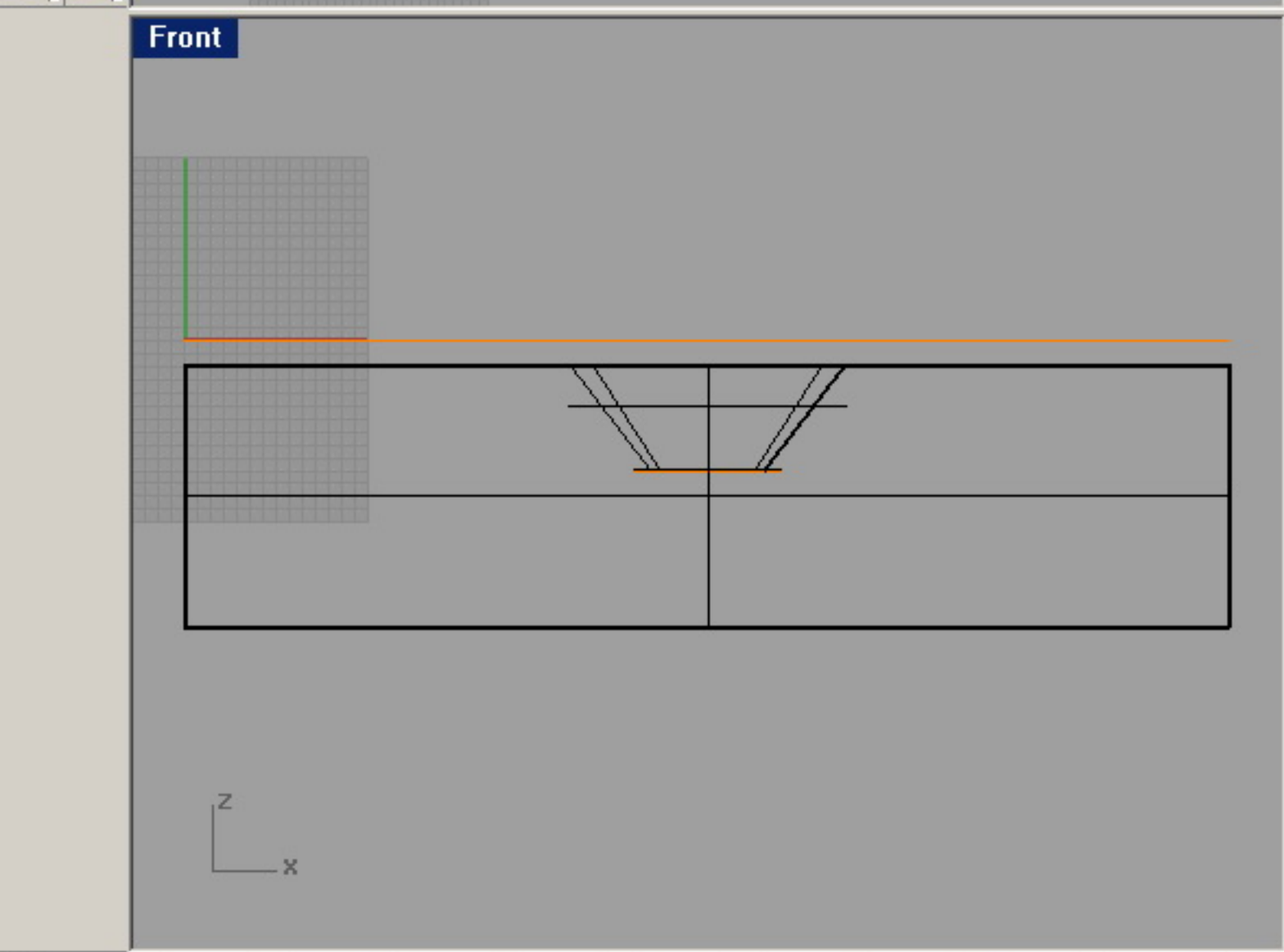
Command: \_Open

Command:



Select Surfaces, Polysurfaces or Meshes for Toolpath Calculation

Name	Visible	Locked	Color
Default	<input checked="" type="checkbox"/>	<input type="checkbox"/>	<span style="display:inline-block; width:10px; height:10px; background-color:black;"></span>
regions	<input type="checkbox"/>	<input type="checkbox"/>	<span style="display:inline-block; width:10px; height:10px; background-color:orange;"></span>



End  Near  Point  Mid  Cen  Int  Perp  Tan  Quad  Knot  Project  STrack  Disable

CPlane x -126.987 y 706.807 z 0.000

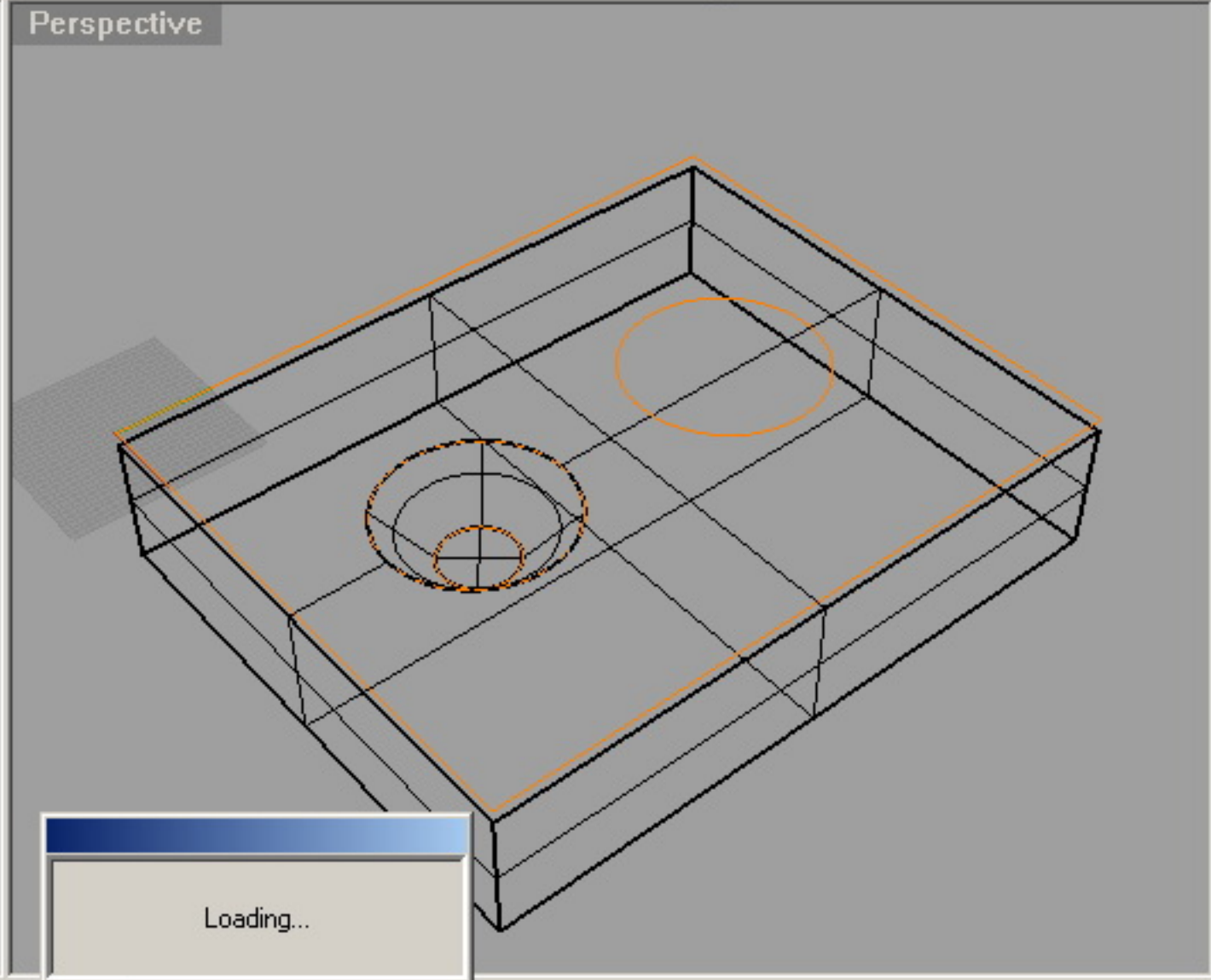
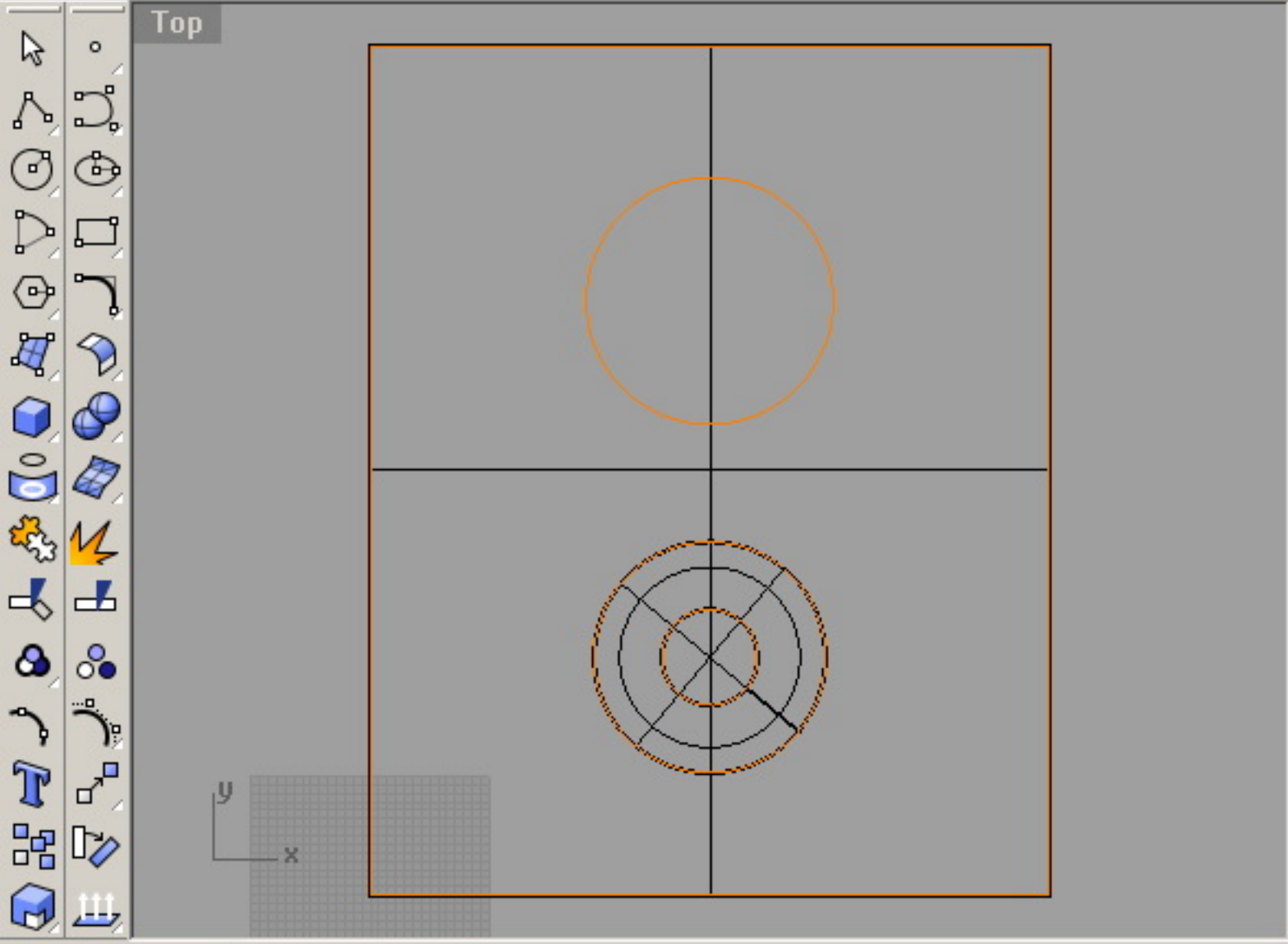
Default

Snap Ortho Planar Osnap Record History



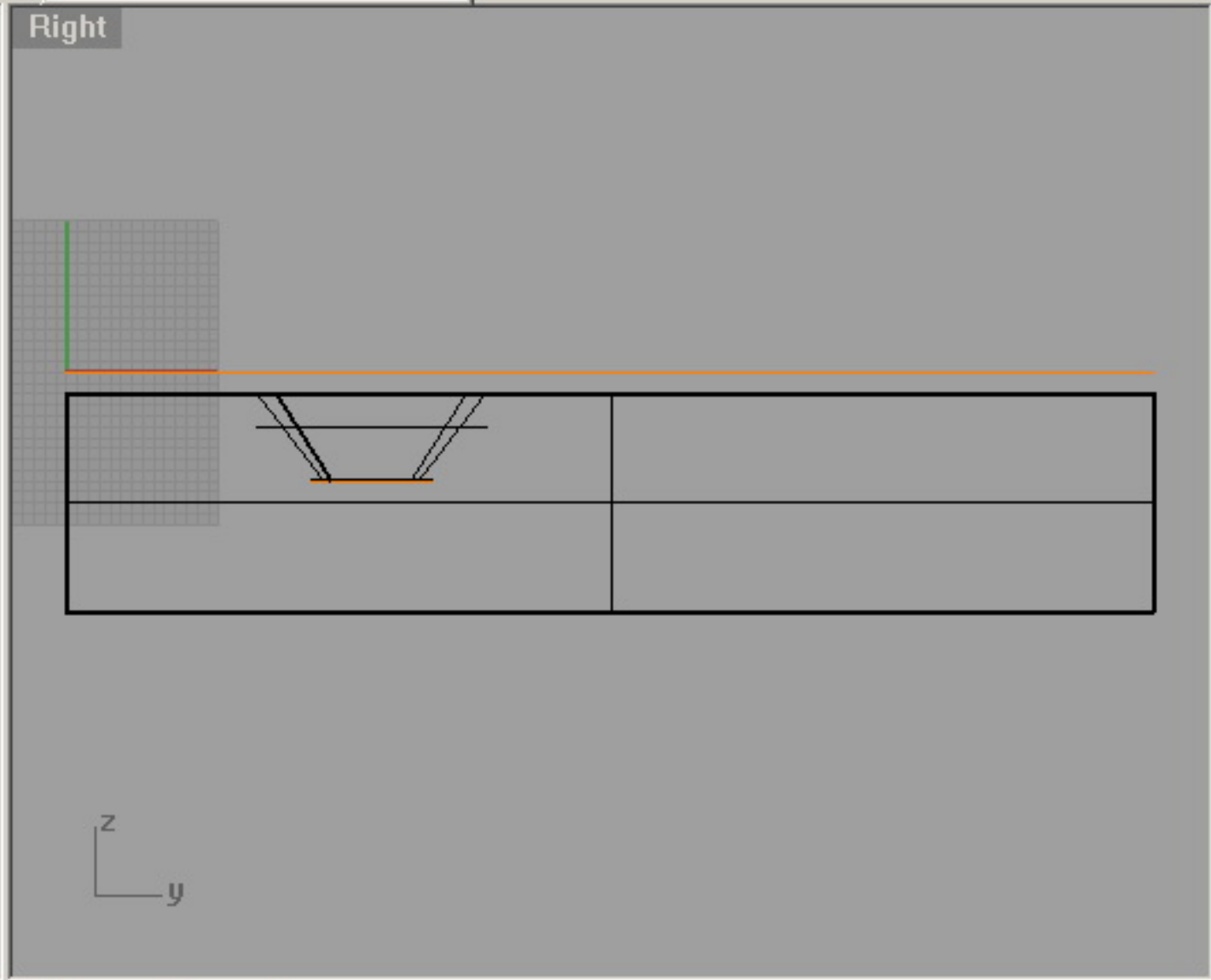
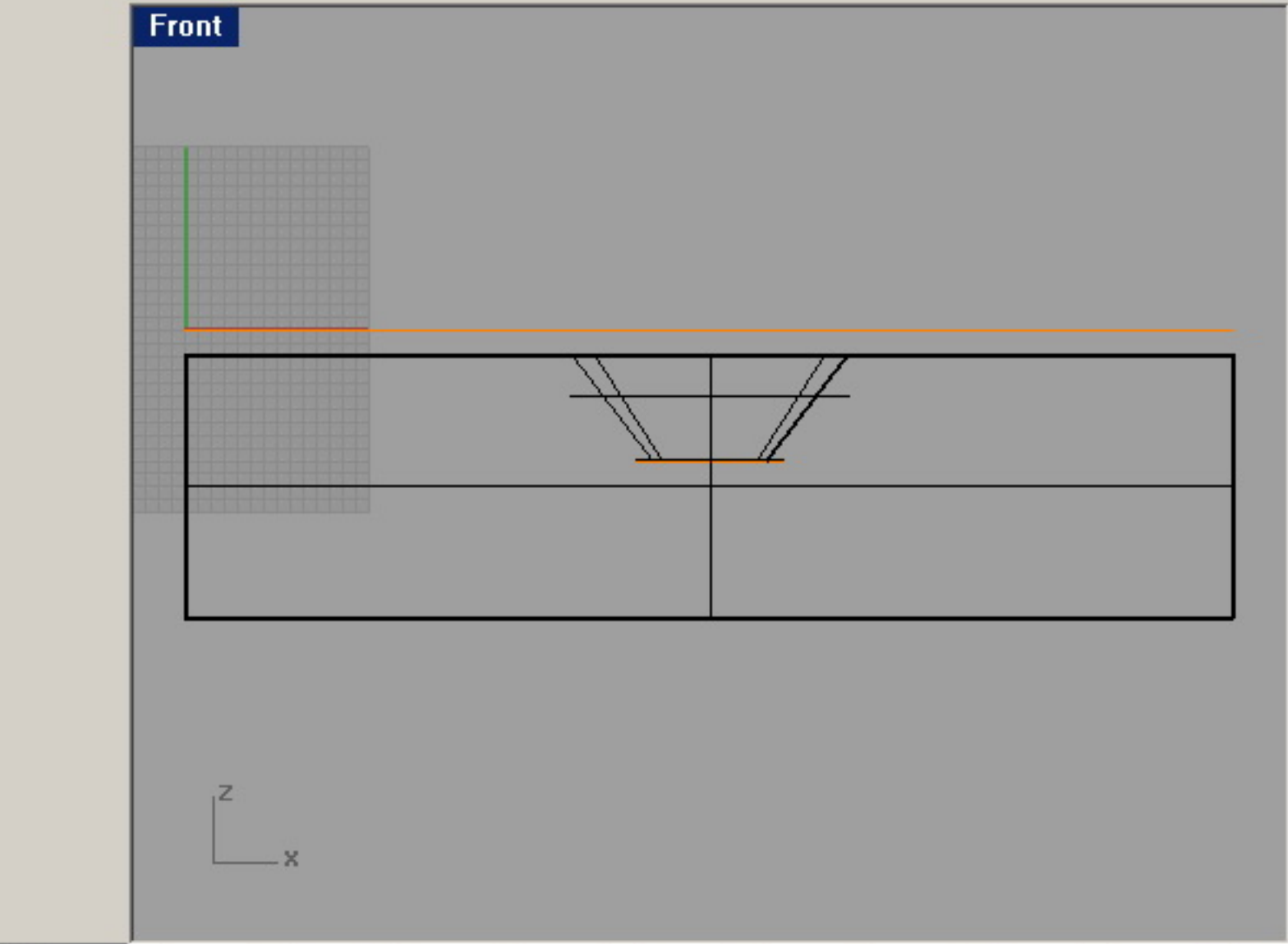
Command: \_MadCAMExportModelMesh

Command:



Layers - All Layers

Name	Color	Lock	Light
Default	Black	<input checked="" type="checkbox"/>	<input type="checkbox"/>
regions	Orange	<input type="checkbox"/>	<input type="checkbox"/>



End  Near  Point  Mid  Cen  Int  Perp  Tan  Quad  Knot  Project  STrack  Disable

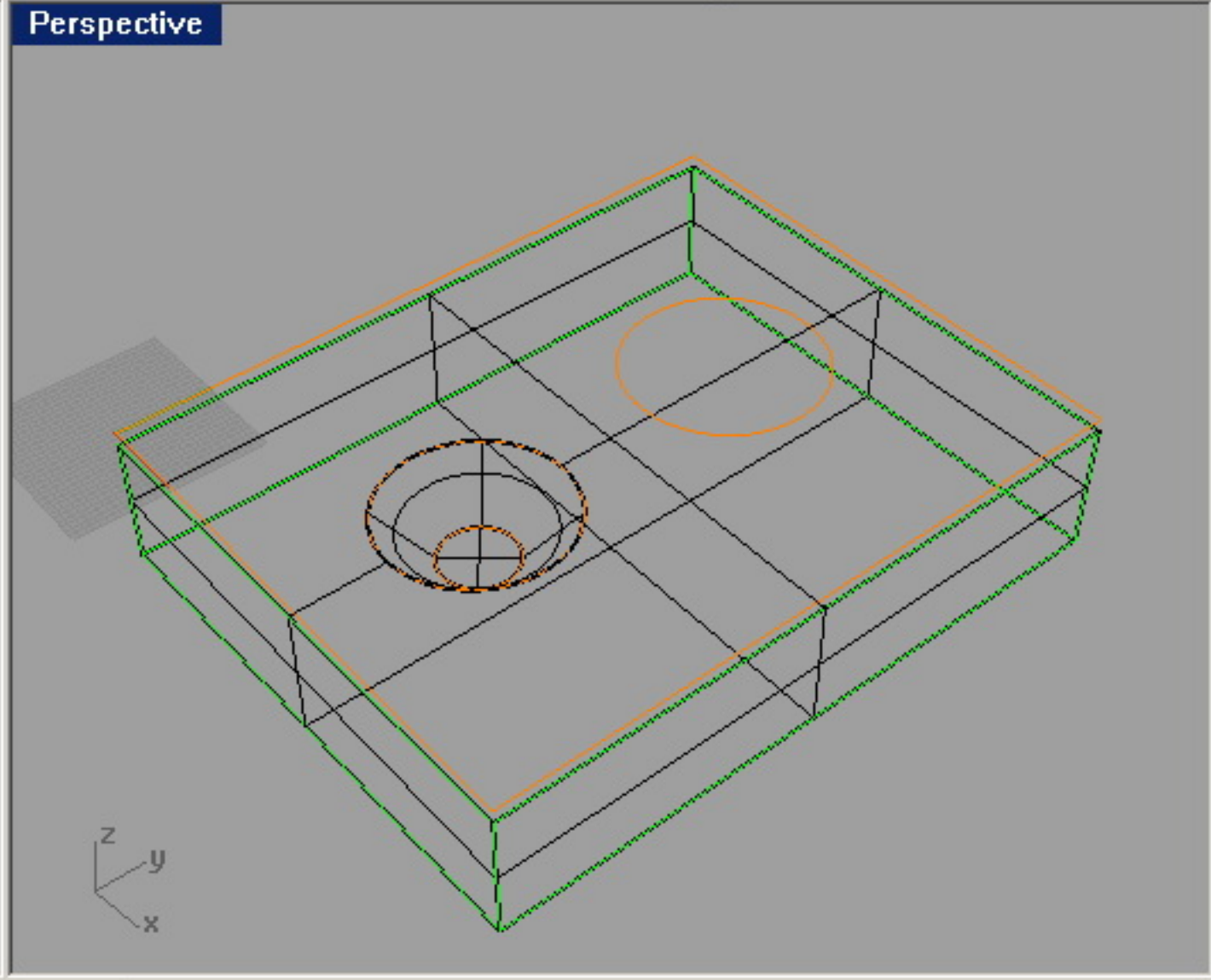
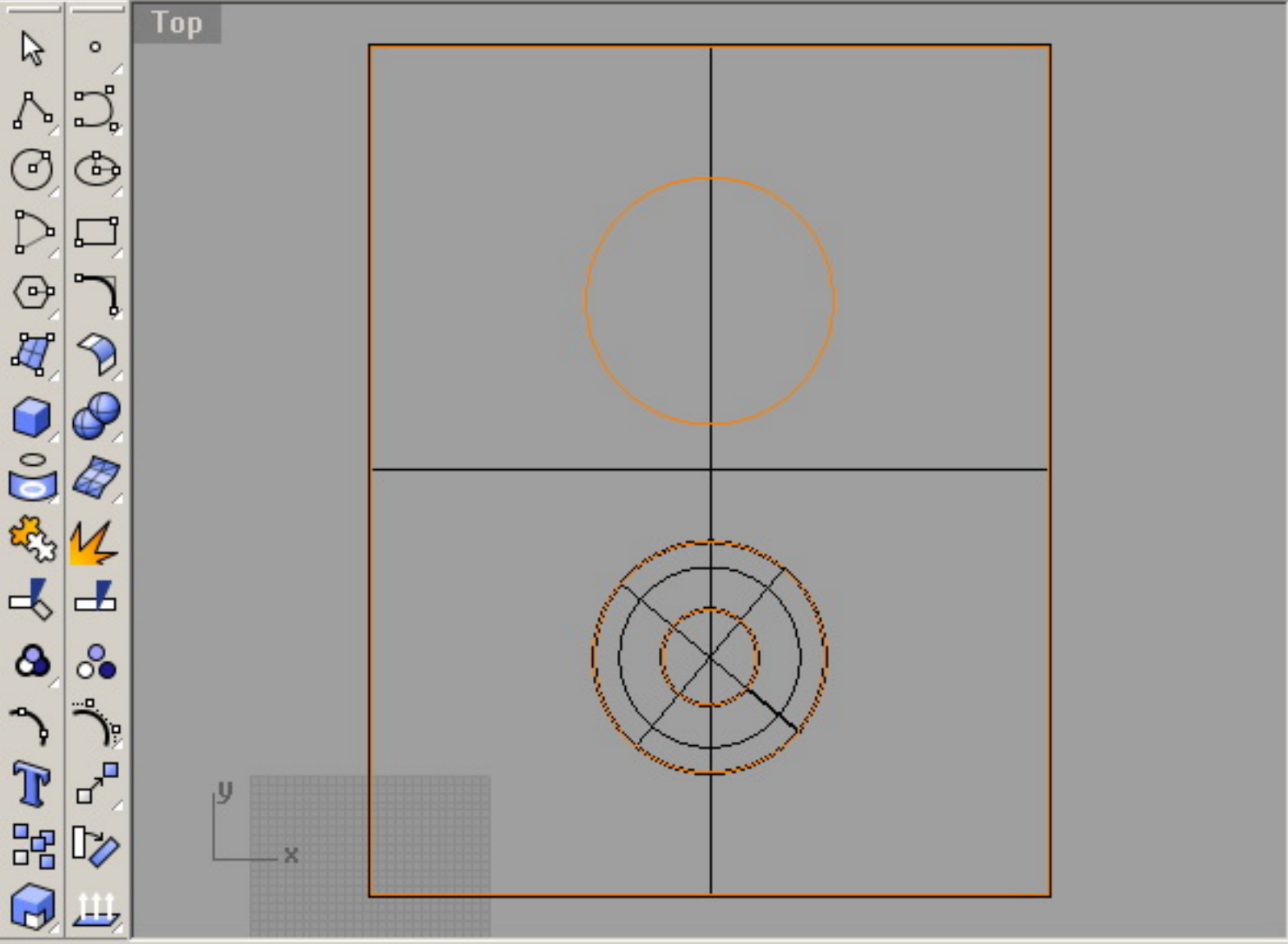
CPlane x -126.987 y 706.807 z 0.000

Default

Snap Ortho Planar Osnap Record History

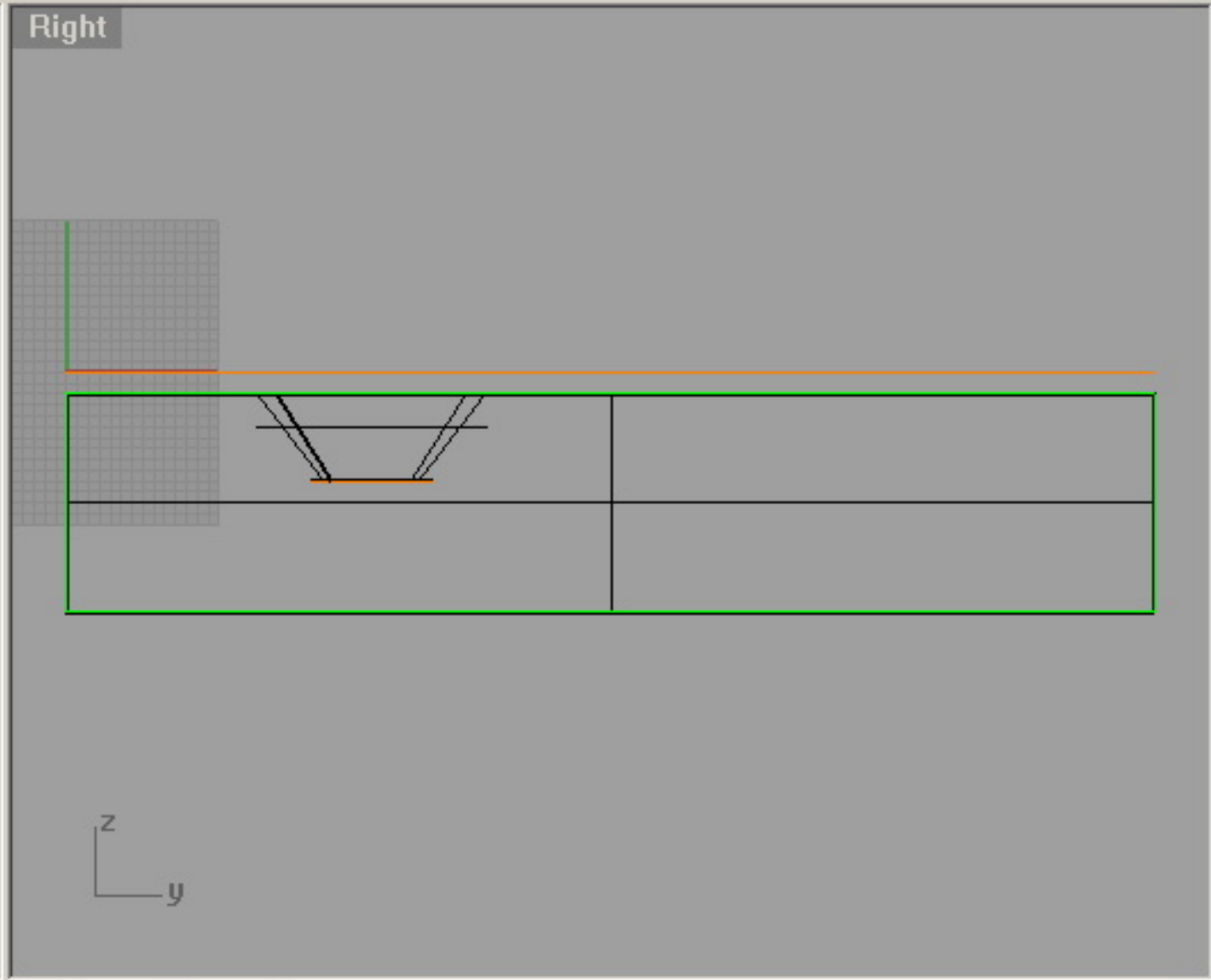
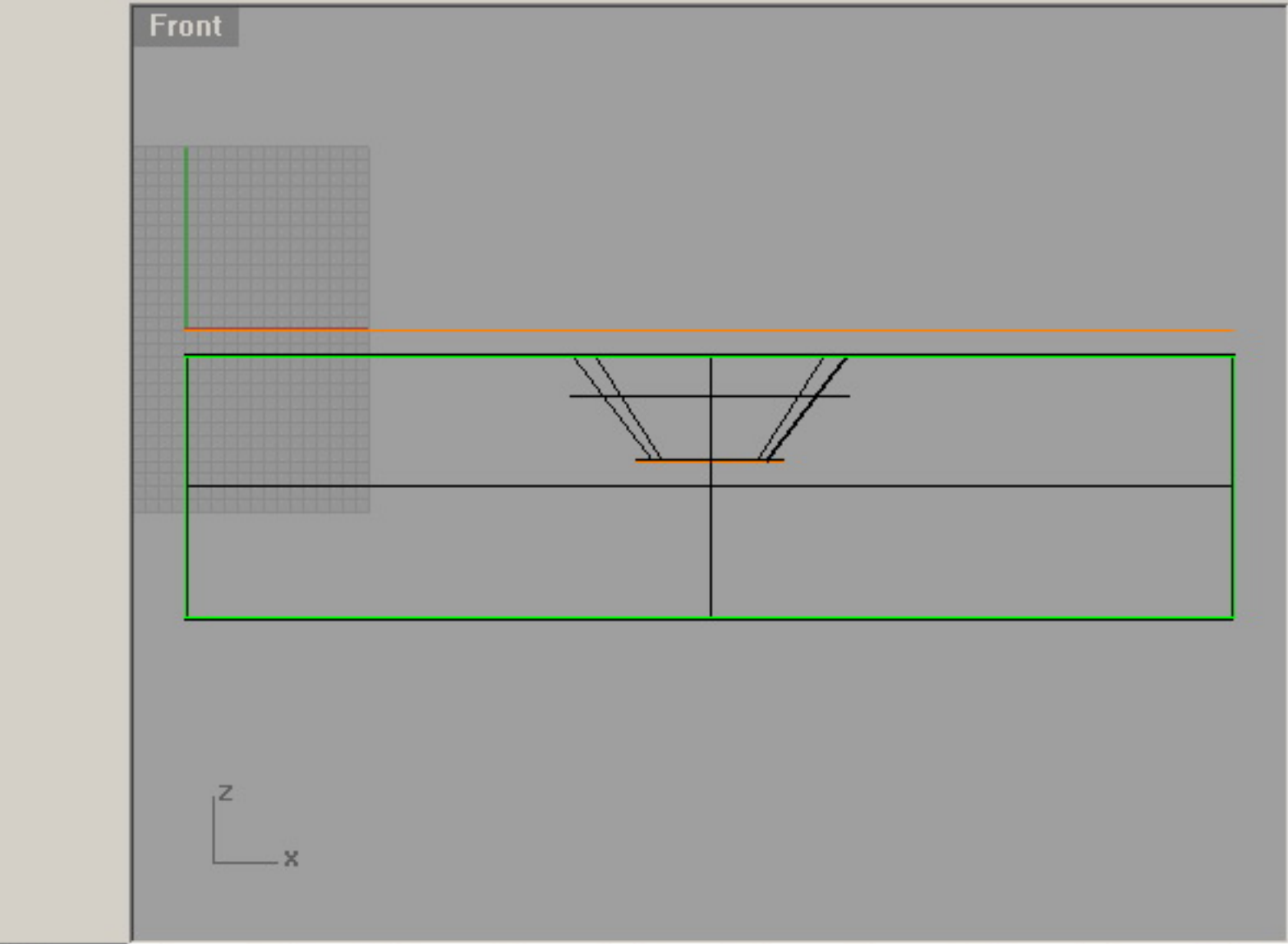
Processing: mesh 0

Command:



Layers - All Layers

Name	Visible	Locked	Color
Default	<input checked="" type="checkbox"/>	<input type="checkbox"/>	Black
regions	<input type="checkbox"/>	<input type="checkbox"/>	Orange
Box / Workpiece	<input type="checkbox"/>	<input type="checkbox"/>	Green



End  Near  Point  Mid  Cen  Int  Perp  Tan  Quad  Knot  Project  STrack  Disable

CPlane x 670.784 y 193.794 z 0.000  Default **Snap** Ortho Planar **Osnap** Record History



Processing: mesh 0

Command:

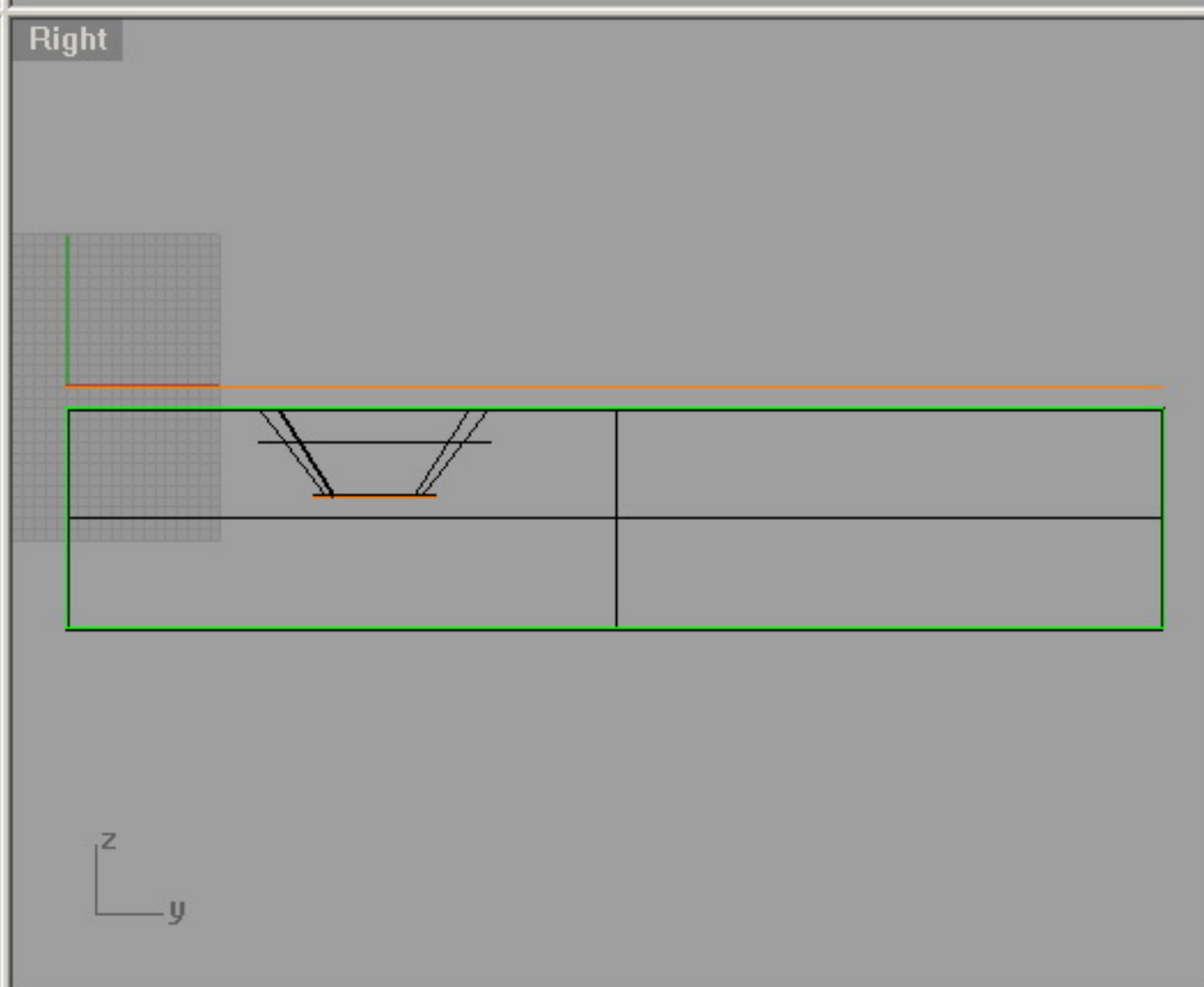
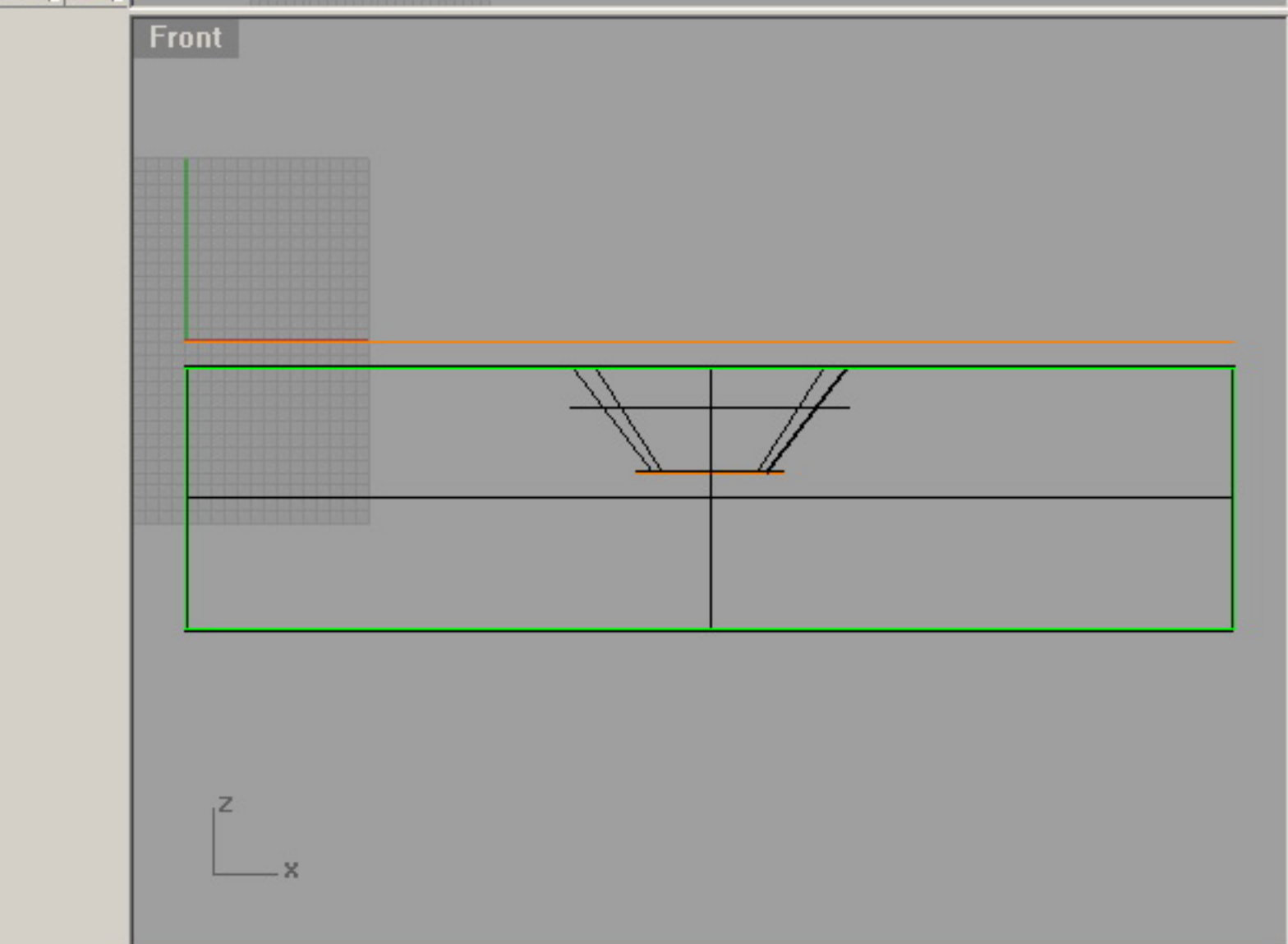
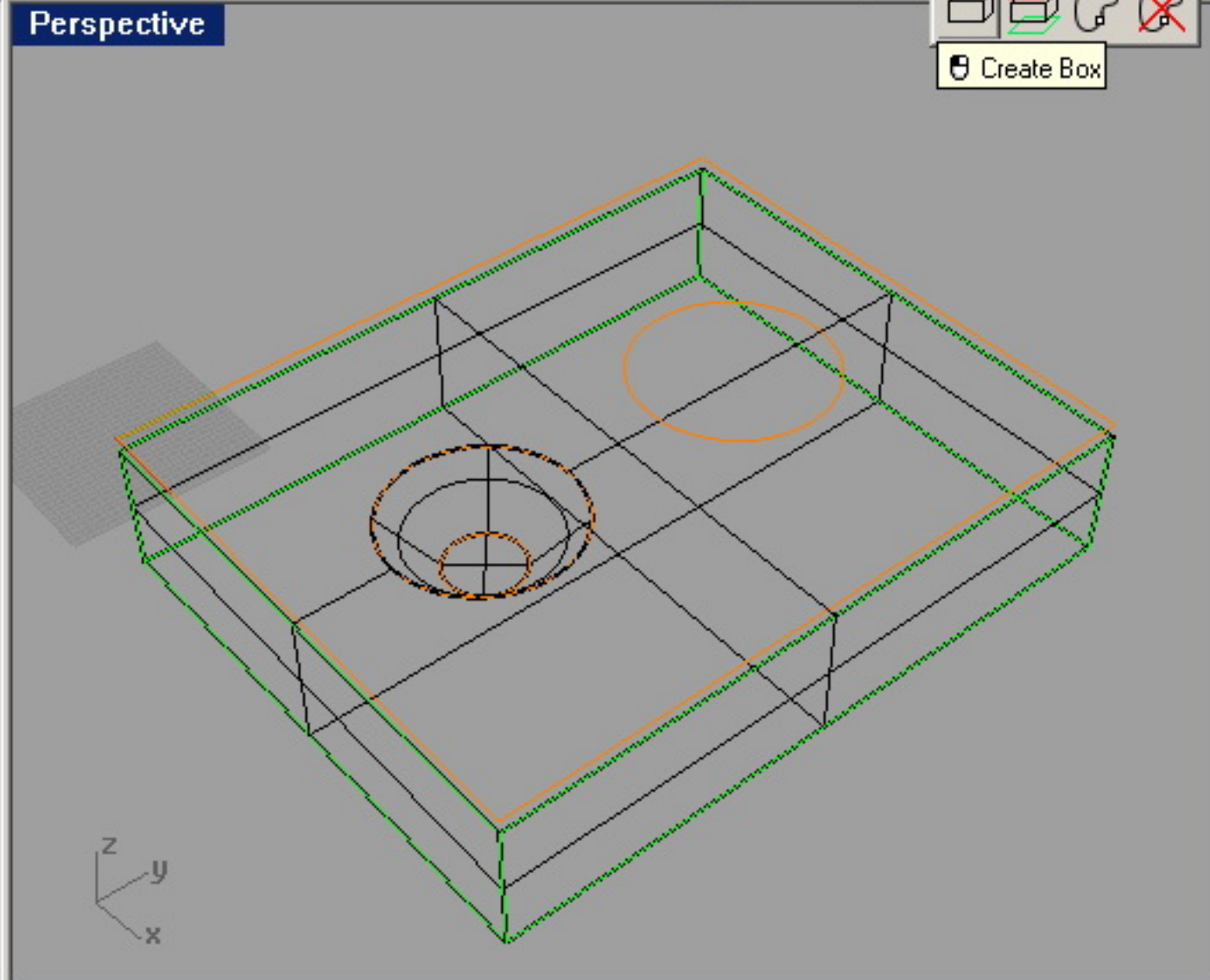
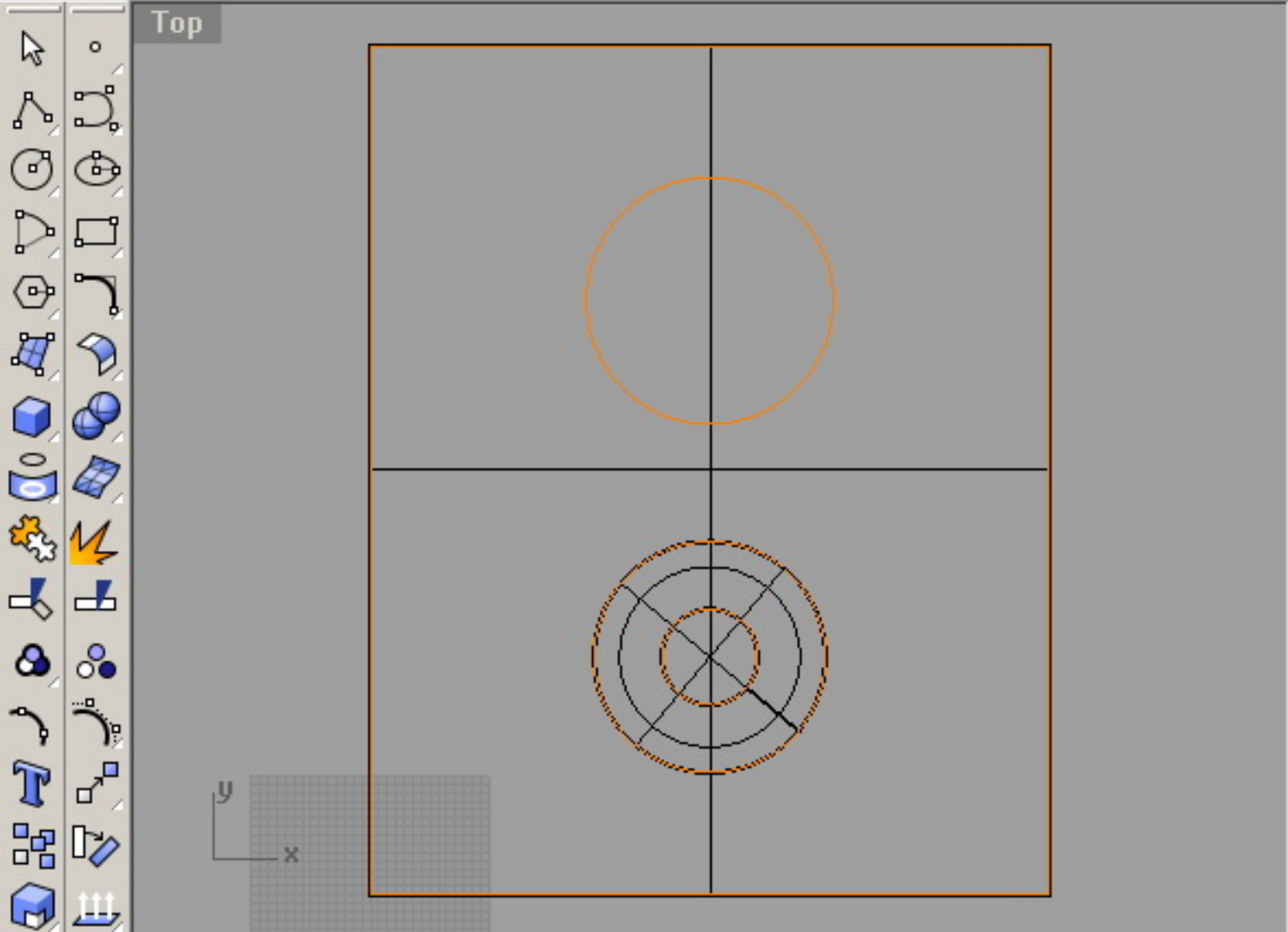


**Regions**

- 
- Create Box

Layers - All Layers

- 
- 
- 
- 
- 



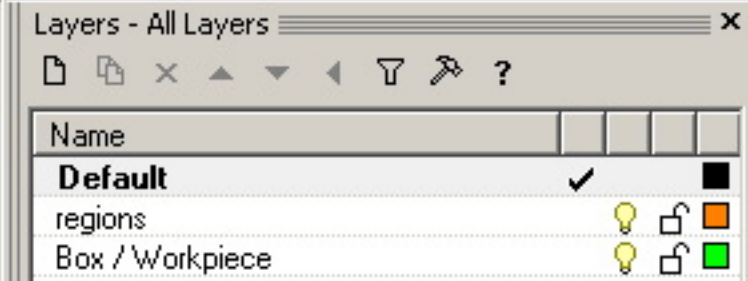
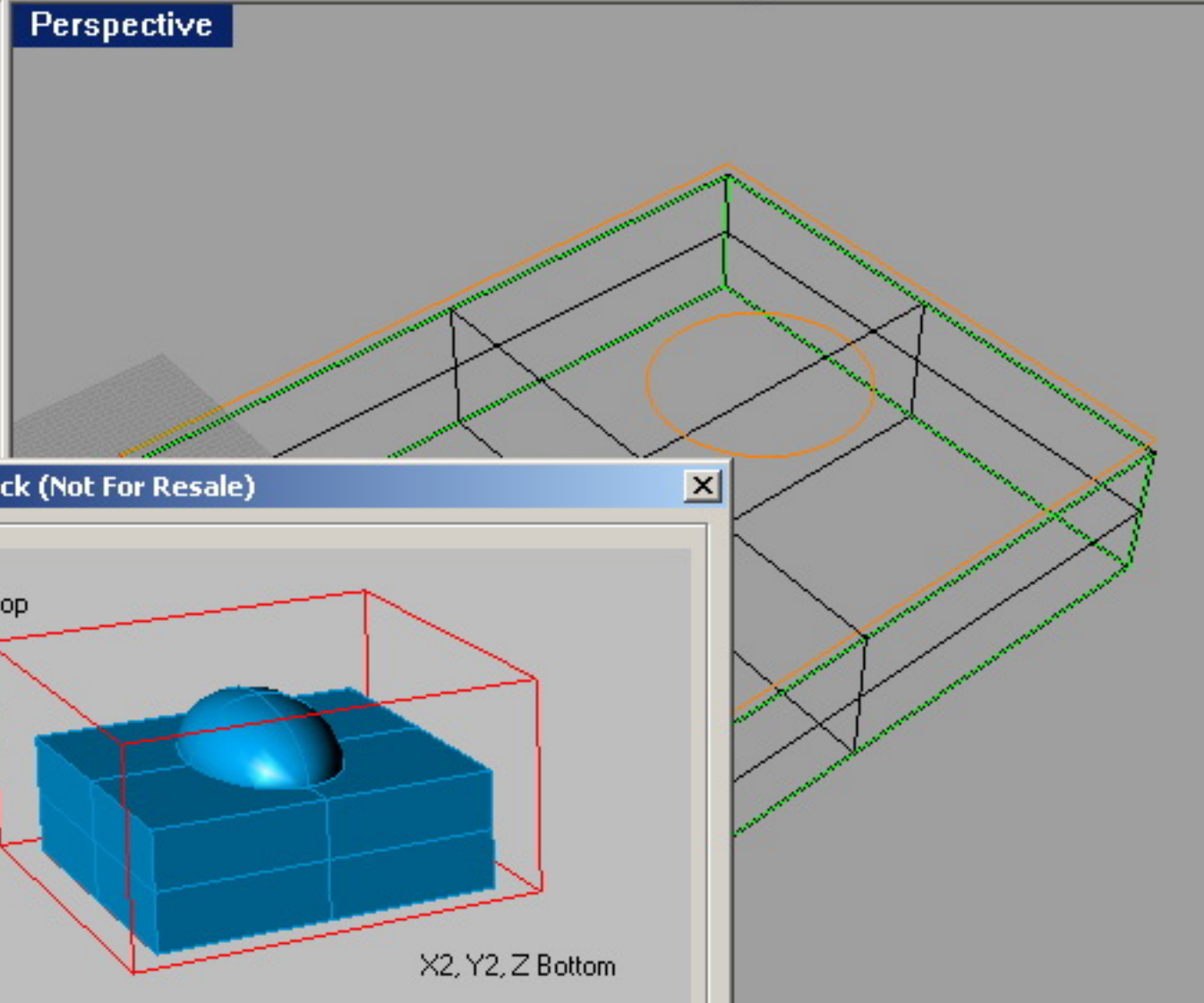
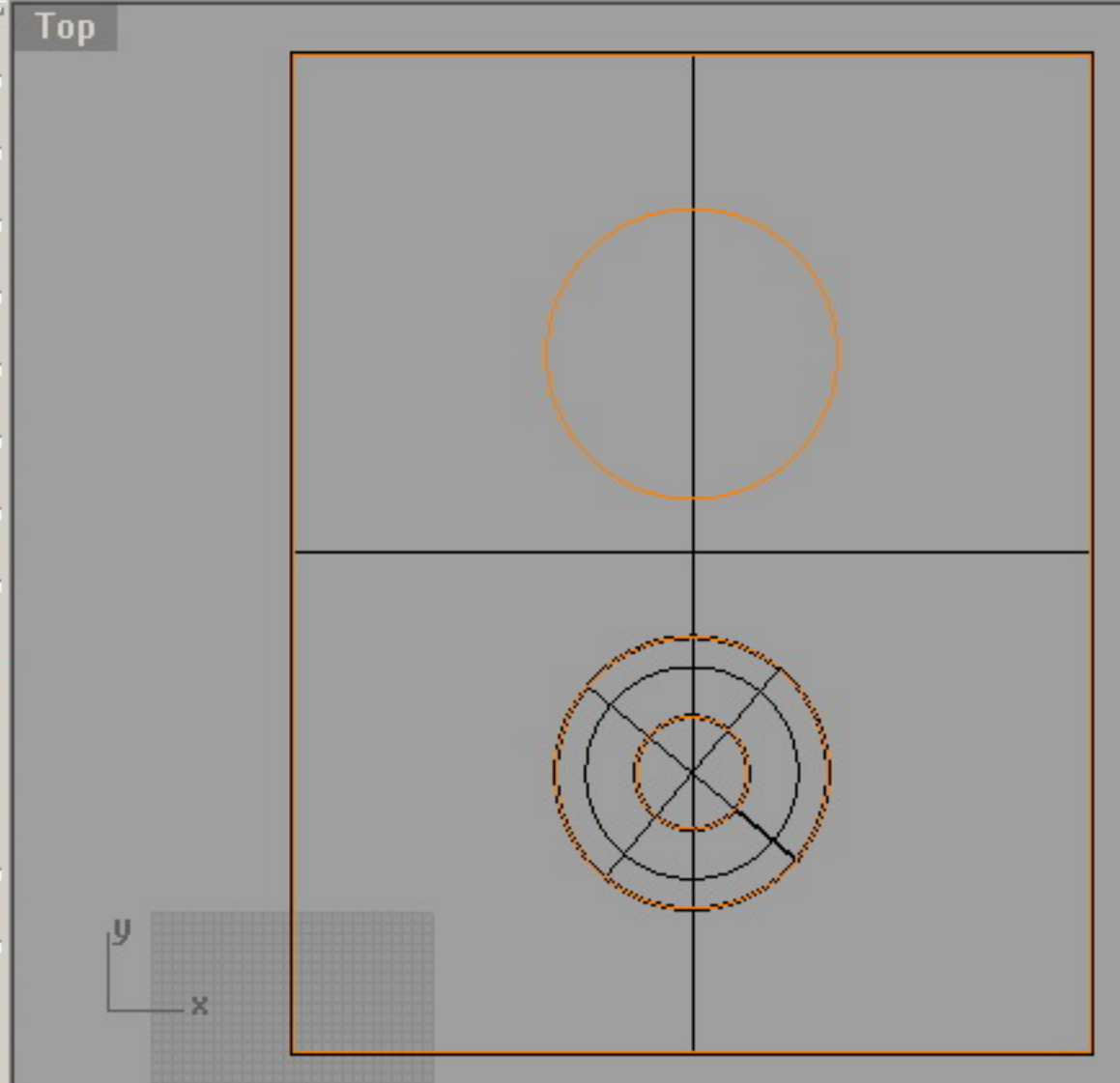
Layers - All Layers

Name	Visible	Locked	Color
Default	<input checked="" type="checkbox"/>	<input type="checkbox"/>	Black
regions	<input type="checkbox"/>	<input type="checkbox"/>	Orange
Box / Workpiece	<input type="checkbox"/>	<input type="checkbox"/>	Green

End
  Near
  Point
  Mid
  Cen
  Int
  Perp
  Tan
  Quad
  Knot
  Project
  STrack
  Disable

CPlane x -61.263 y 779.469 z 0.000
  Default
  Snap
  Ortho
  Planar
  Osnap
  Record History

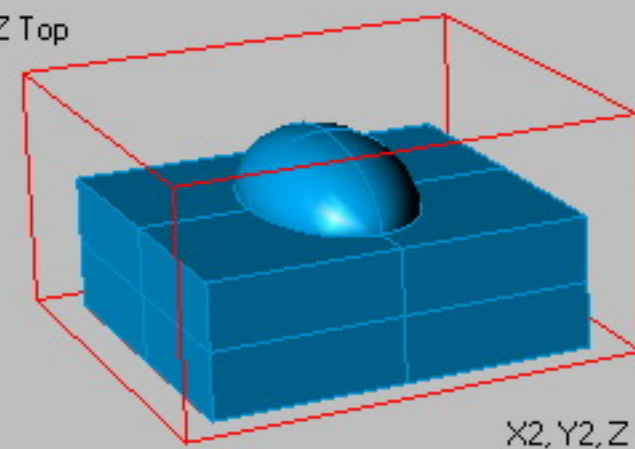




**madCAM Stock (Not For Resale)**

Stock

X1, Y1, Z Top

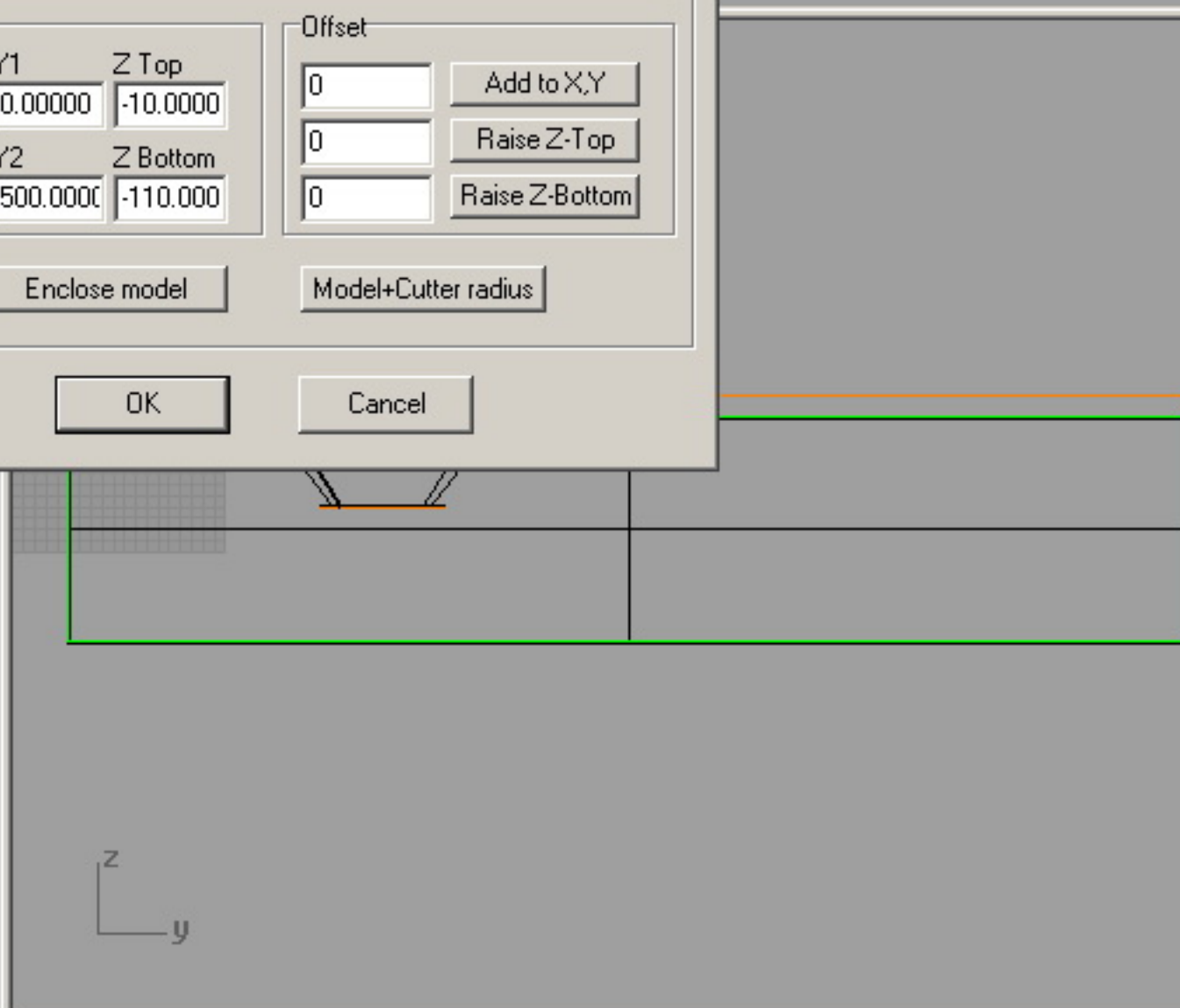
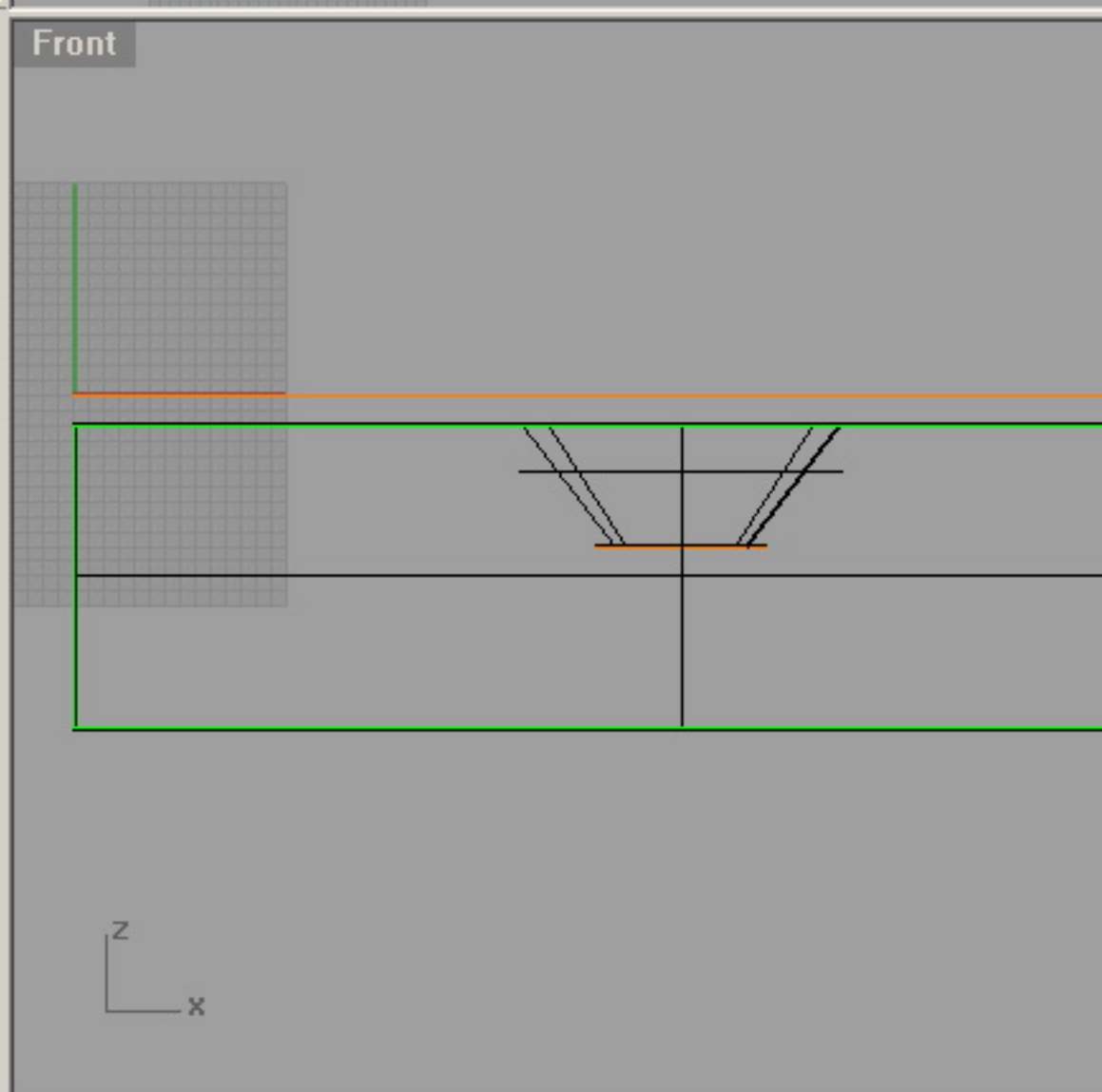


X2, Y2, Z Bottom

Dimension			Offset	
X1	Y1	Z Top		
0.00000	0.00000	-10.0000	0	Add to X,Y
X2	Y2	Z Bottom	0	Raise Z-Top
400.0000	500.0000	-110.0000	0	Raise Z-Bottom

Enclose model    Model+Cutter radius

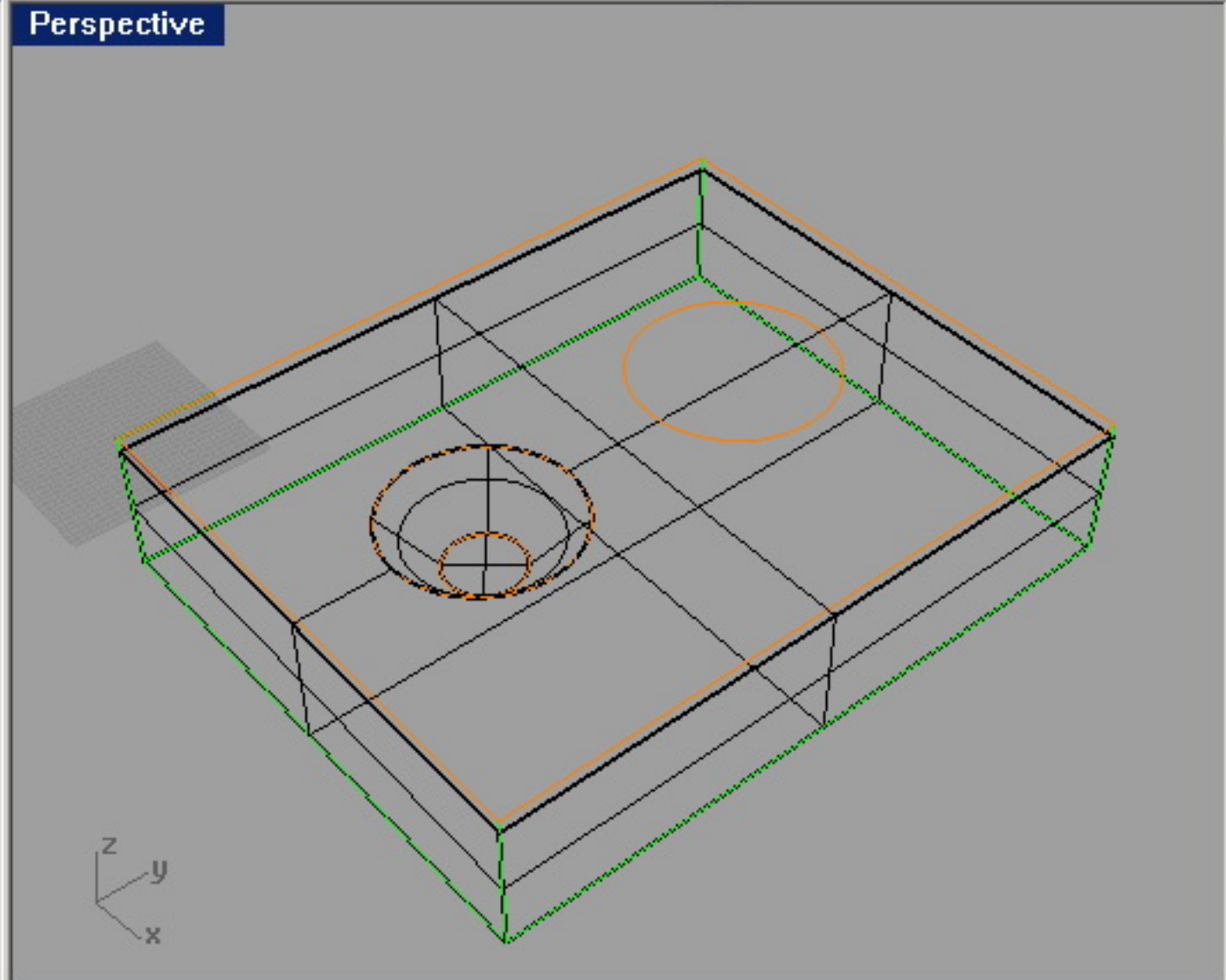
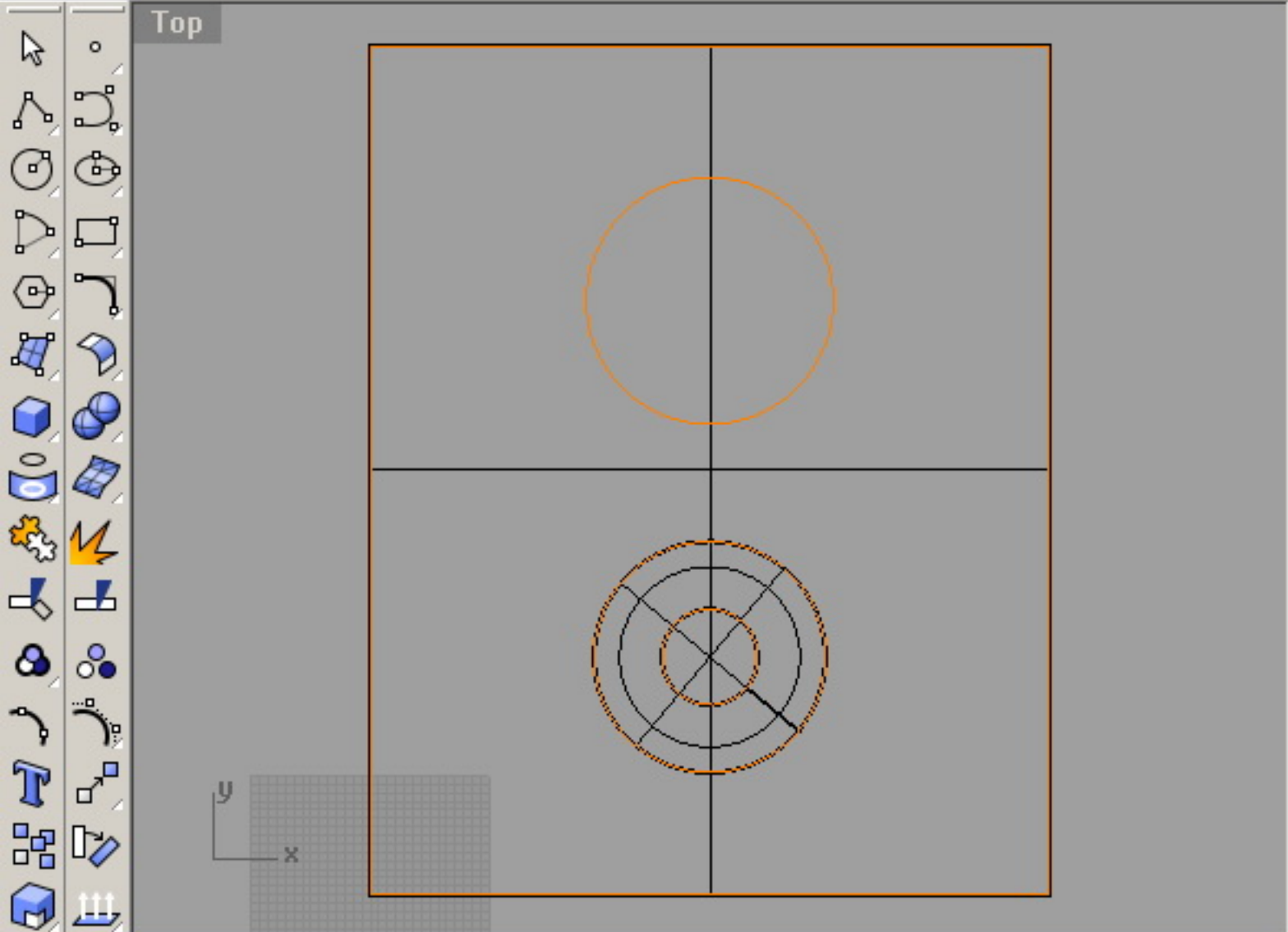
OK    Cancel





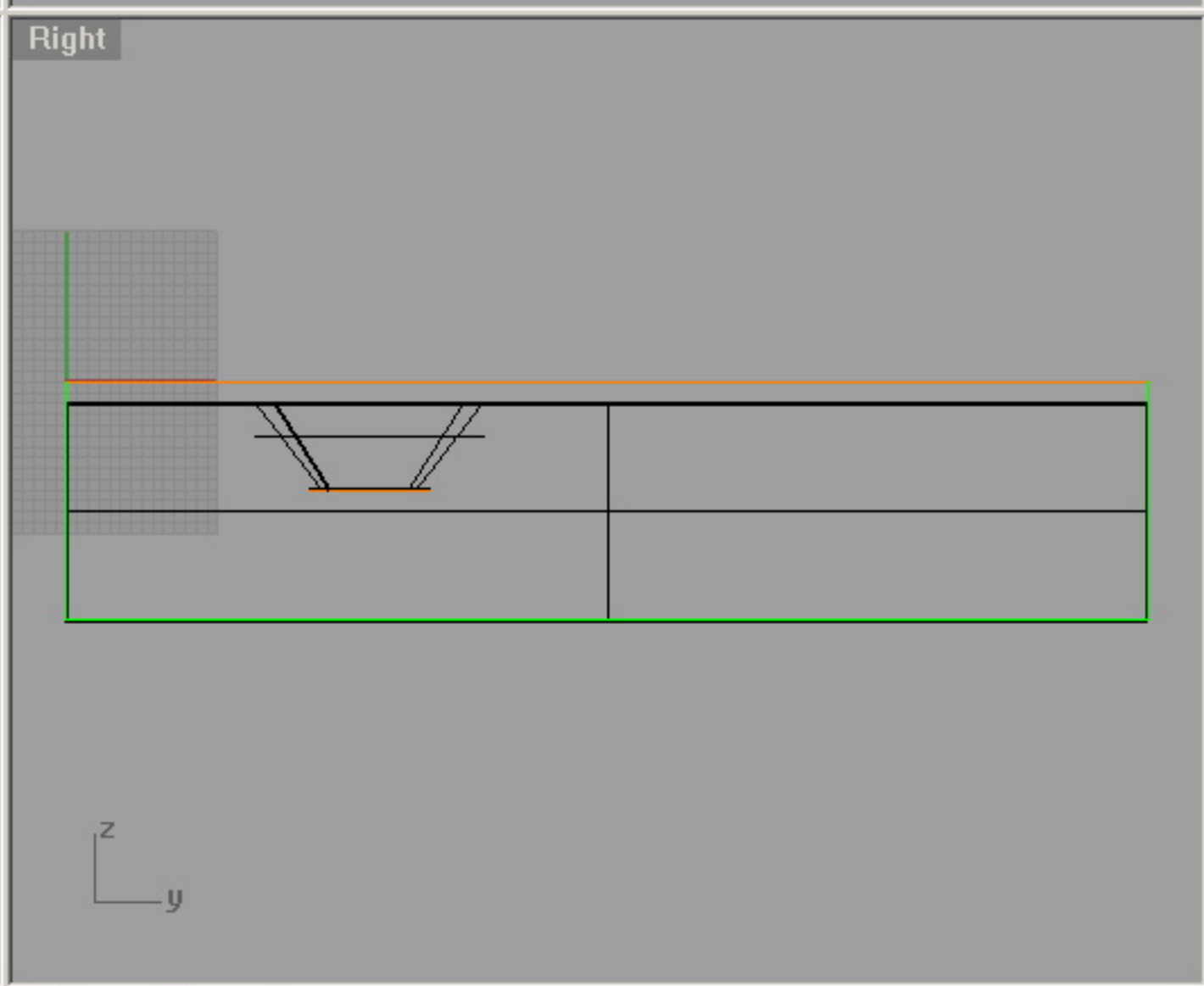
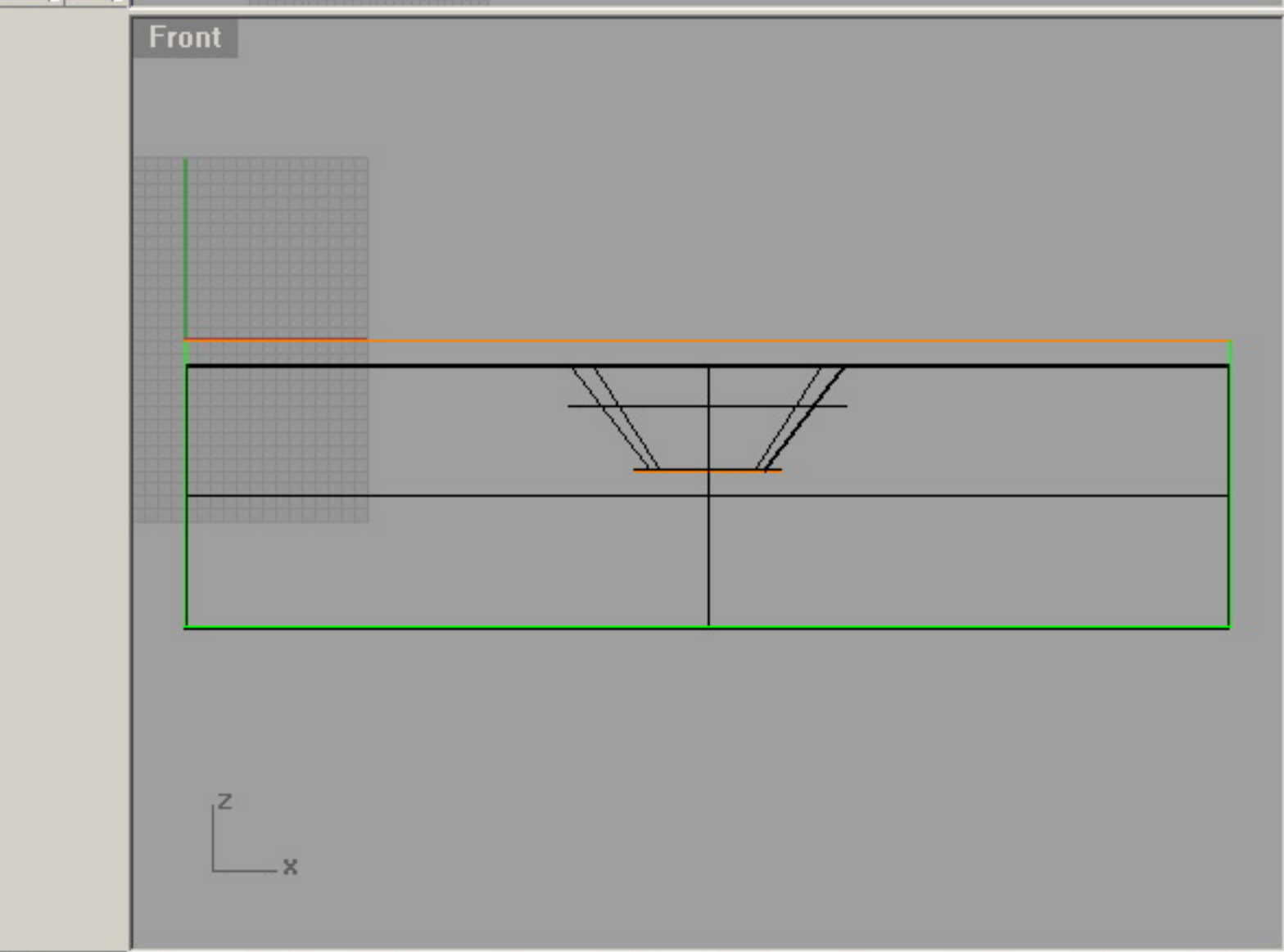
Command: \_MadCAMCreateBox

Command:



Layers - All Layers

Name	Visible	Locked	Color
Default	<input checked="" type="checkbox"/>	<input type="checkbox"/>	Black
regions	<input type="checkbox"/>	<input type="checkbox"/>	Orange
Box / Workpiece	<input type="checkbox"/>	<input type="checkbox"/>	Green



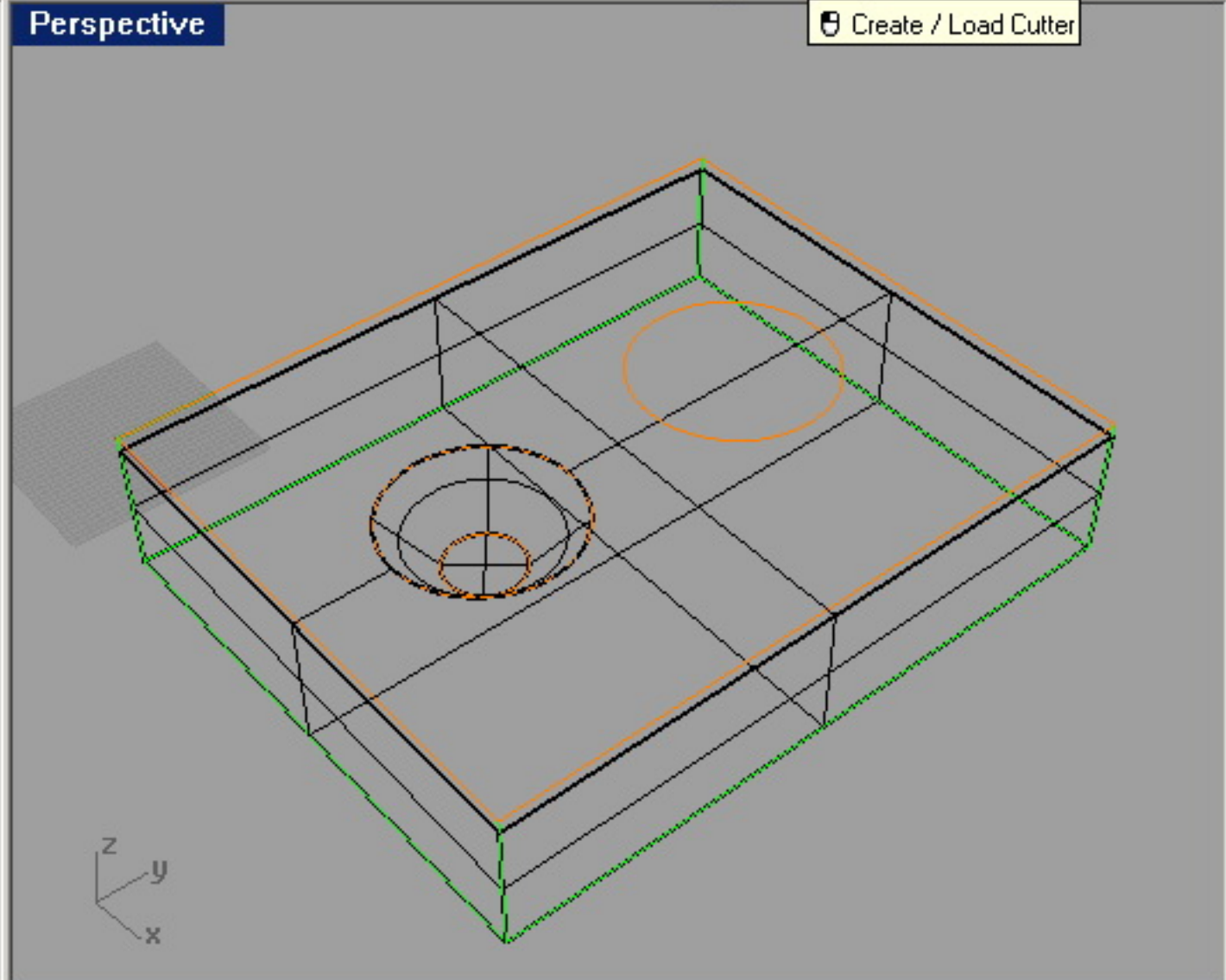
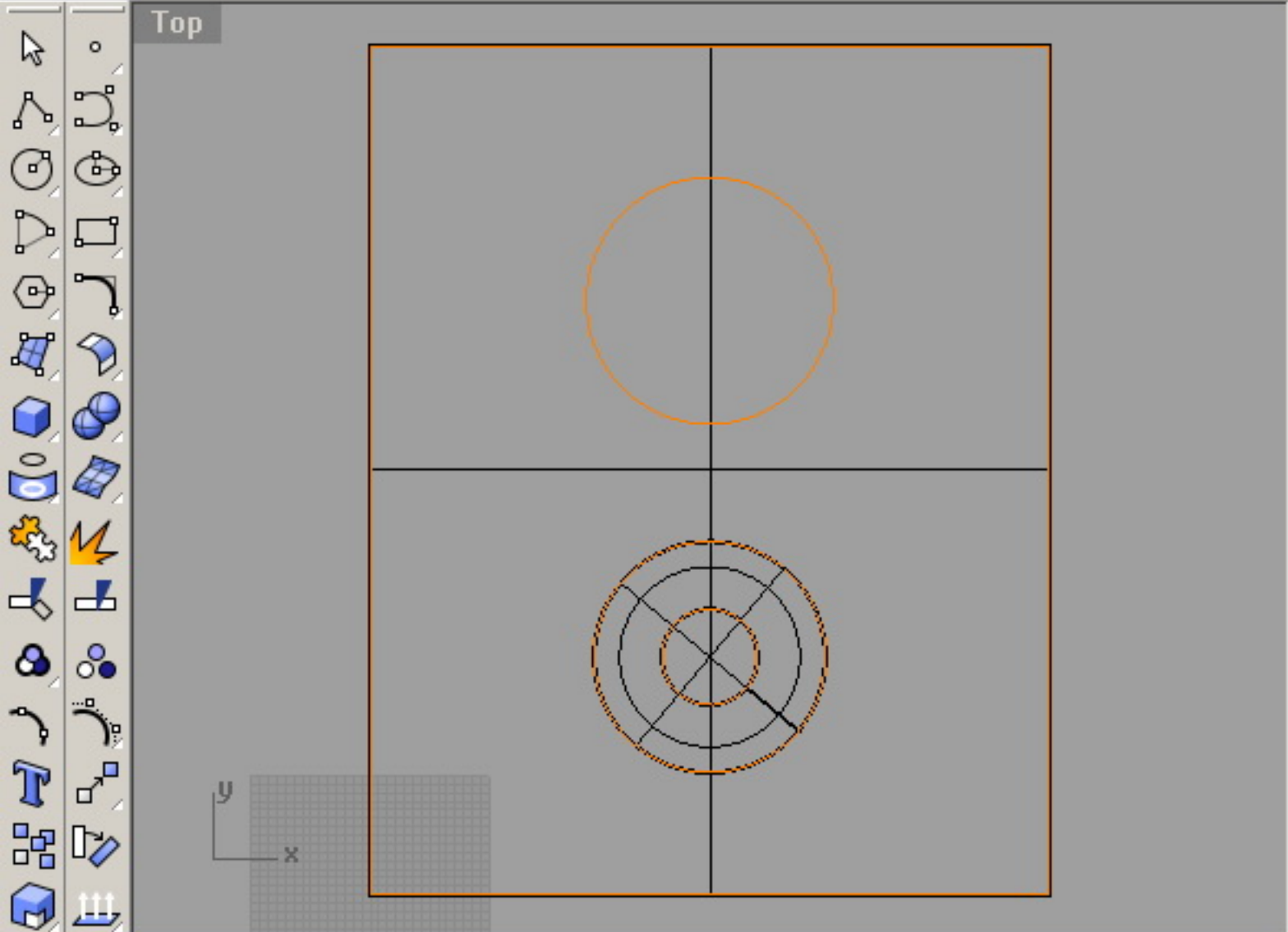
End  Near  Point  Mid  Cen  Int  Perp  Tan  Quad  Knot  Project  STrack  Disable

CPlane x 516.635 y 109.164 z 0.000  Default **Snap** Ortho Planar **Osnap** Record History



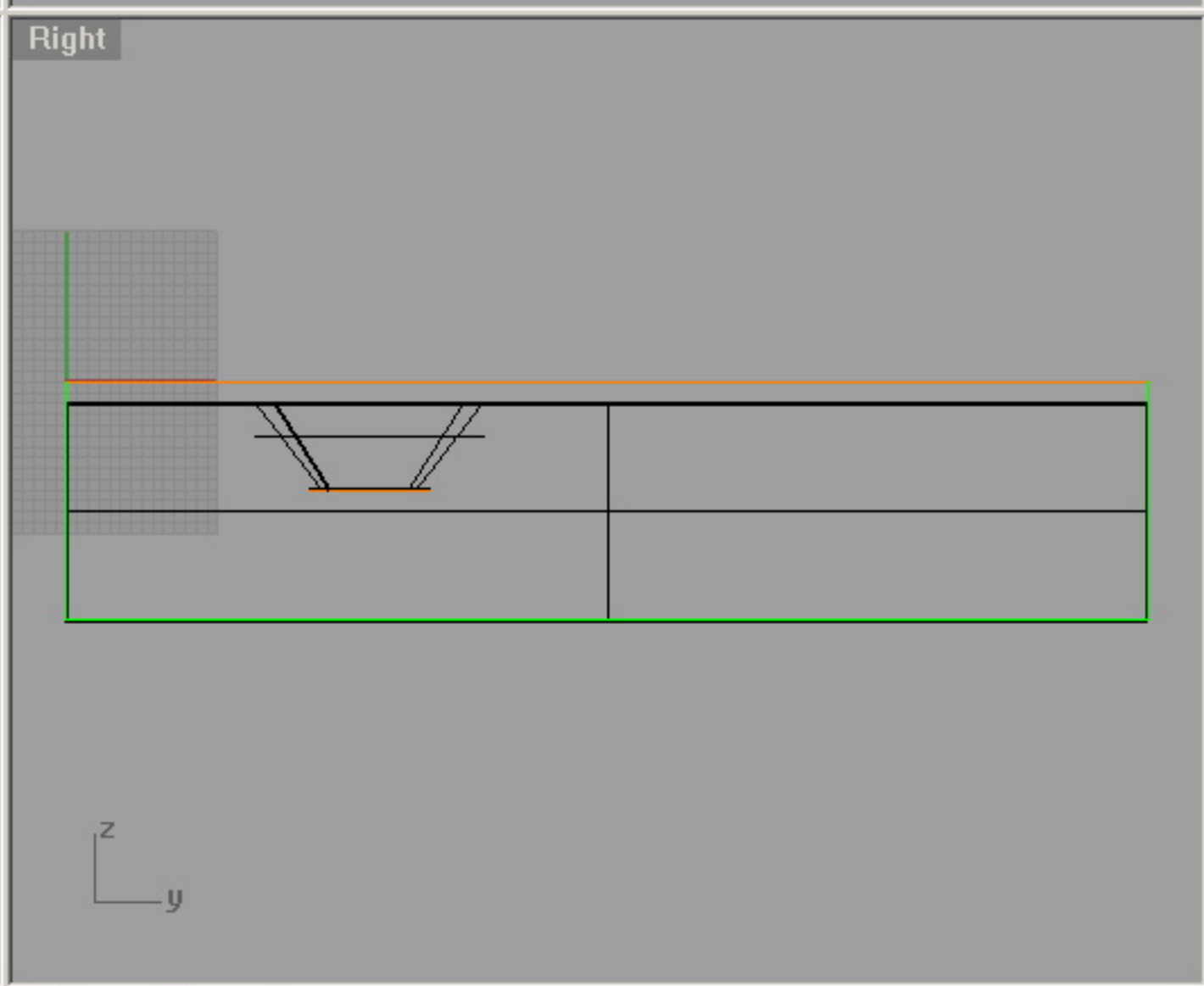
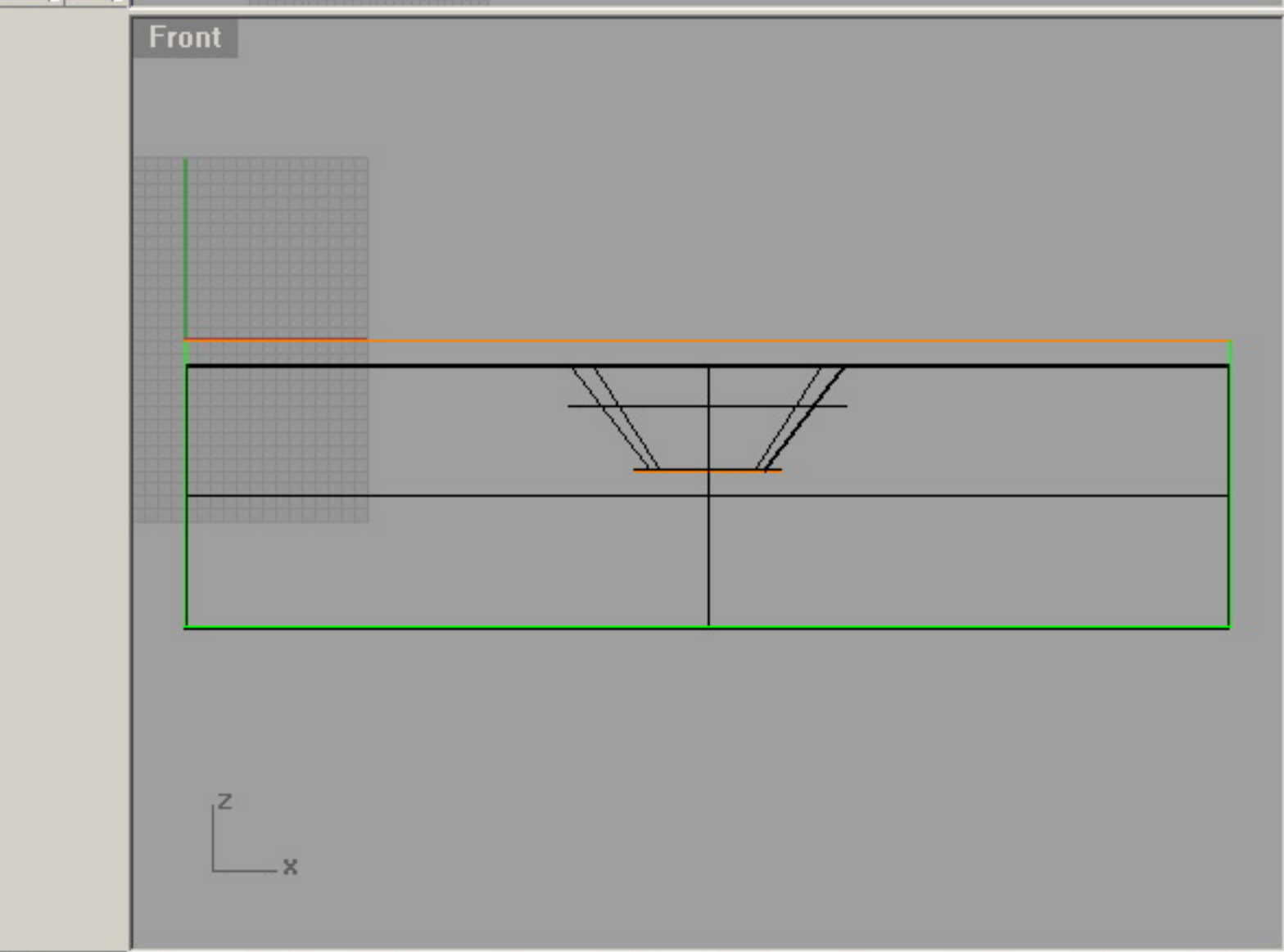
Command: \_MadCAMCreateBox

Command:



Layers - All Layers

Name	Visible	Locked	Color
Default	<input checked="" type="checkbox"/>	<input type="checkbox"/>	Black
regions	<input type="checkbox"/>	<input type="checkbox"/>	Orange
Box / Workpiece	<input type="checkbox"/>	<input type="checkbox"/>	Green



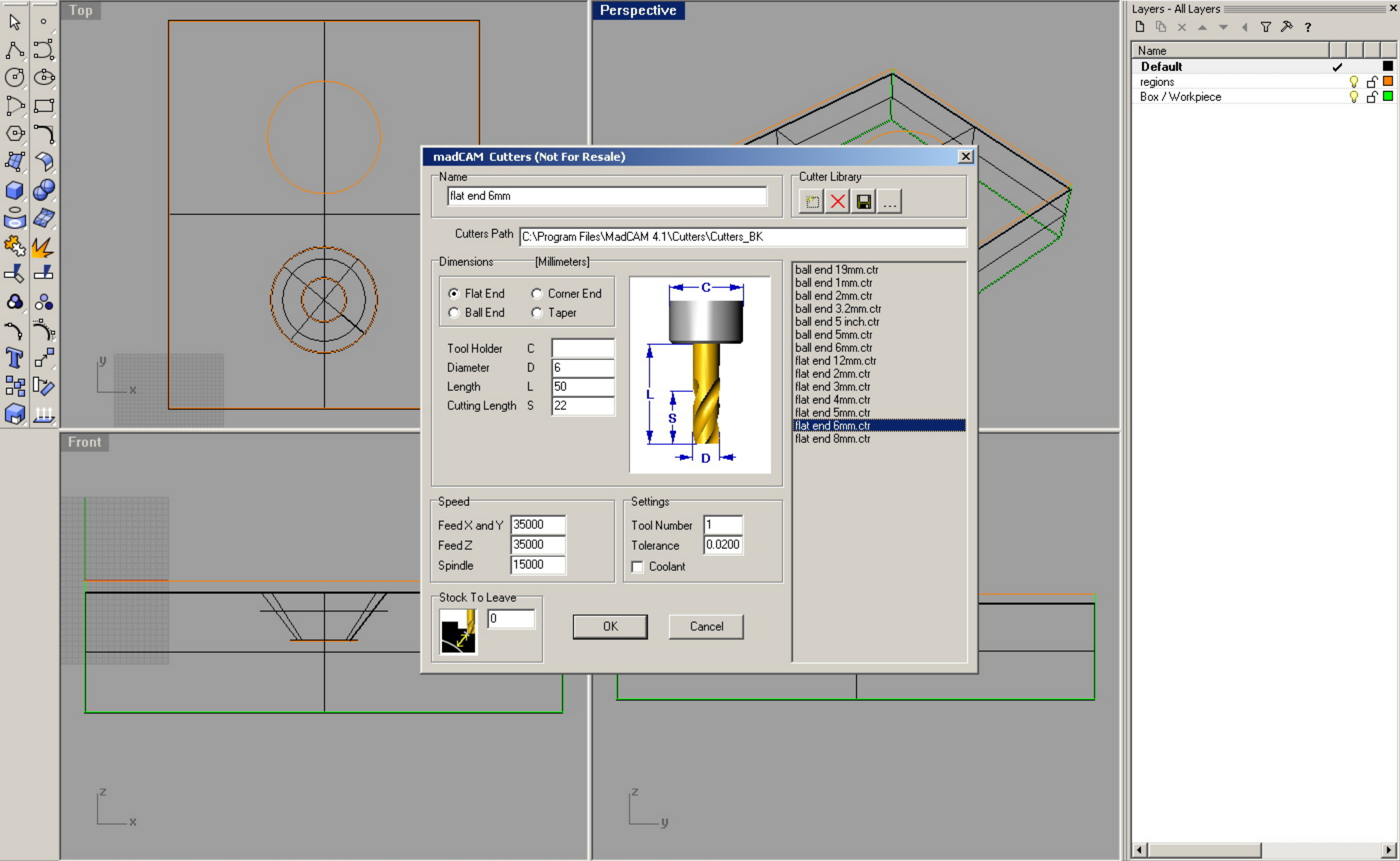
End  Near  Point  Mid  Cen  Int  Perp  Tan  Quad  Knot  Project  STrack  Disable

CPlane x -85.948 y 749.947 z 0.000  Default **Snap** Ortho Planar **Osnap** Record History



Enter MadCAM command to execute: Cutter

Command:



Layers - All Layers

Name	Visible	Locked	Color
Default	<input checked="" type="checkbox"/>	<input type="checkbox"/>	Black
regions	<input type="checkbox"/>	<input type="checkbox"/>	Orange
Box / Workpiece	<input type="checkbox"/>	<input type="checkbox"/>	Green

### madCAM Cutters (Not For Resale)

Name: flat end 6mm

Cutter Library: [Icons]

Cutters Path: C:\Program Files\MadCAM 4.1\Cutters\Cutters\_BK

Dimensions [Millimeters]

Flat End     Corner End  
 Ball End     Taper

Tool Holder	C	
Diameter	D	6
Length	L	50
Cutting Length	S	22

- ball end 19mm.ctr
- ball end 1mm.ctr
- ball end 2mm.ctr
- ball end 3.2mm.ctr
- ball end 5 inch.ctr
- ball end 5mm.ctr
- ball end 6mm.ctr
- flat end 12mm.ctr
- flat end 2mm.ctr
- flat end 3mm.ctr
- flat end 4mm.ctr
- flat end 5mm.ctr
- flat end 6mm.ctr**
- flat end 8mm.ctr

Speed

Feed X and Y	35000
Feed Z	35000
Spindle	15000

Settings

Tool Number	1
Tolerance	0.0200
<input type="checkbox"/> Coolant	

Stock To Leave: 0

OK Cancel



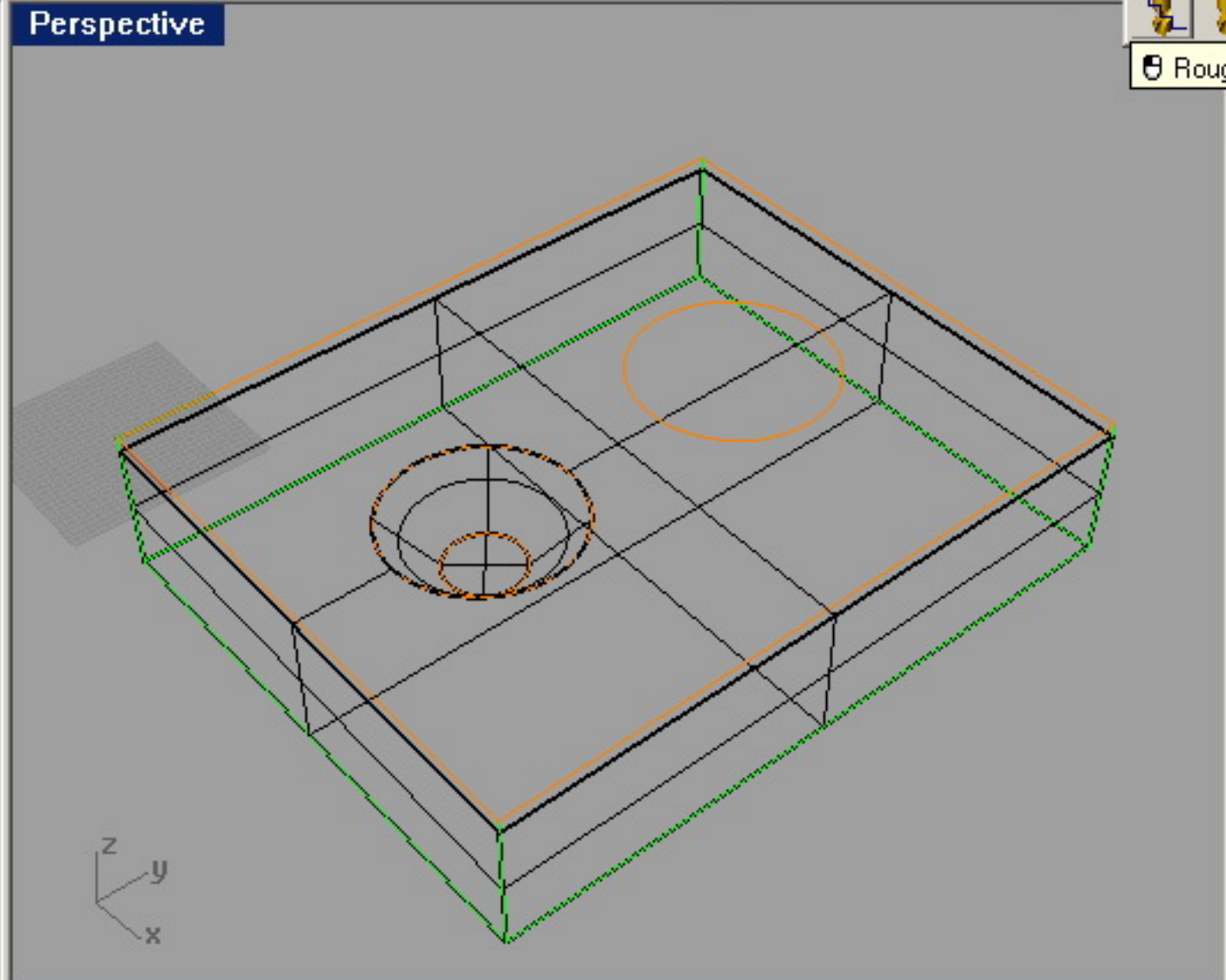
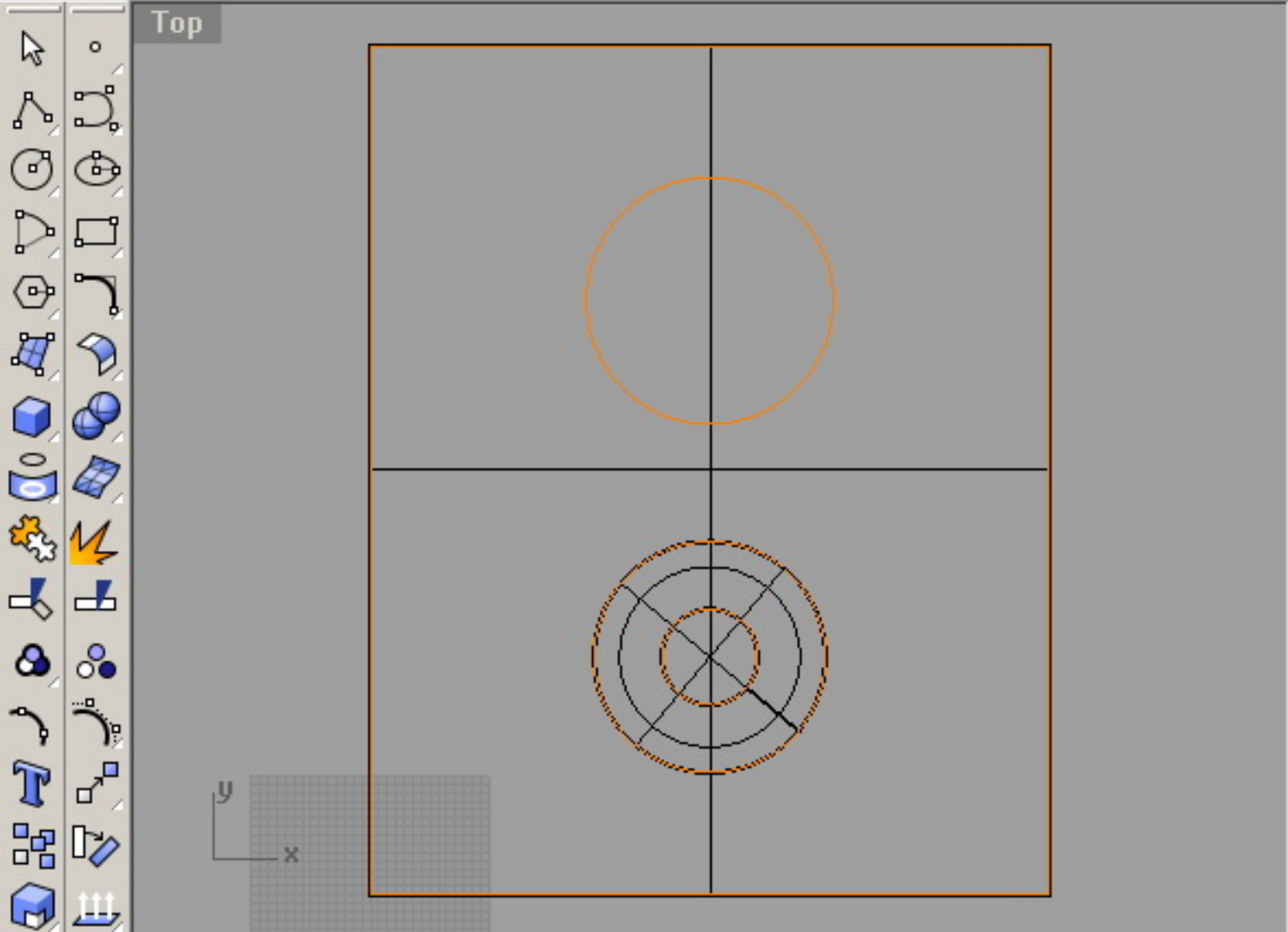
Enter MadCAM command to execute: Roughing

Command:

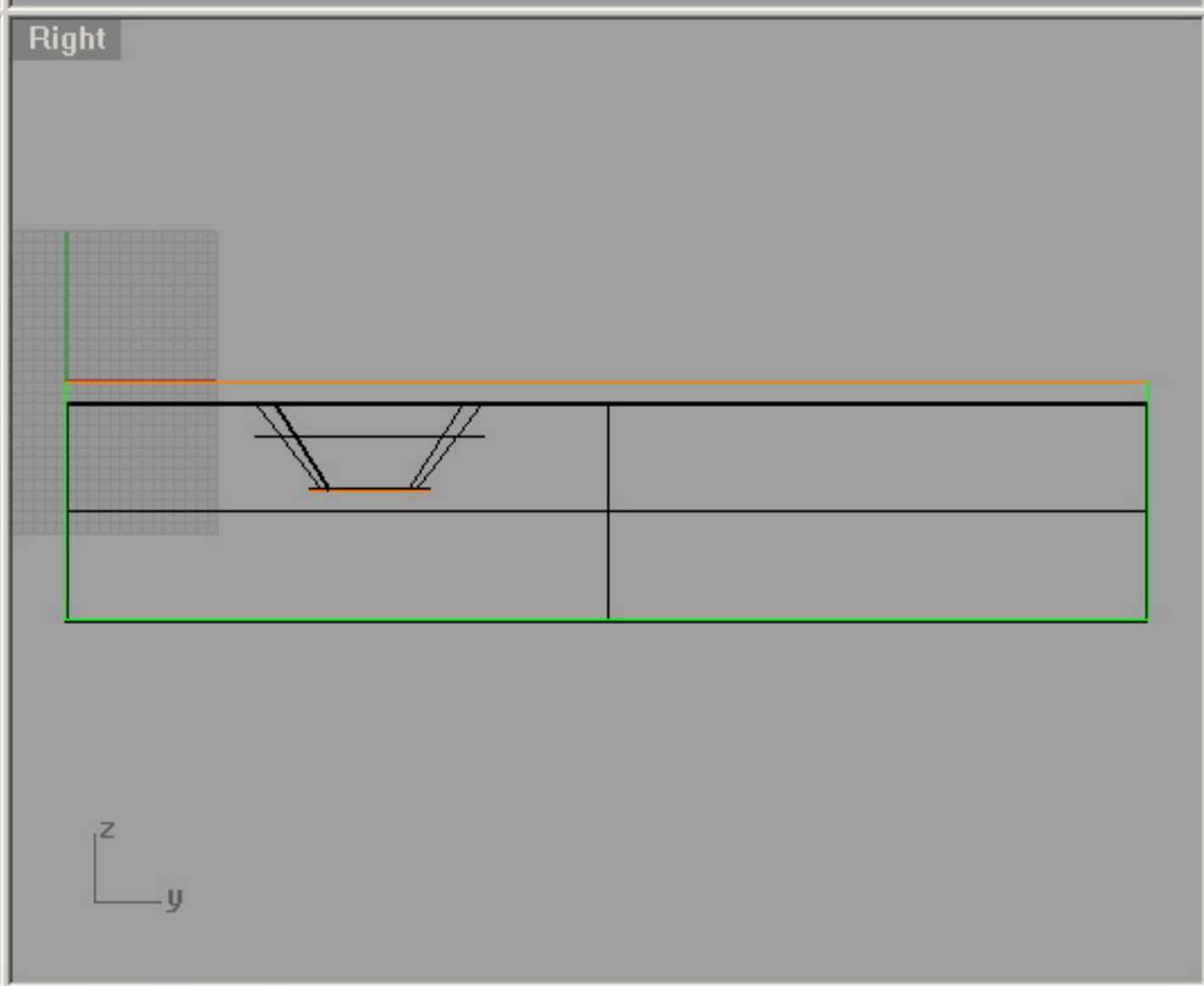
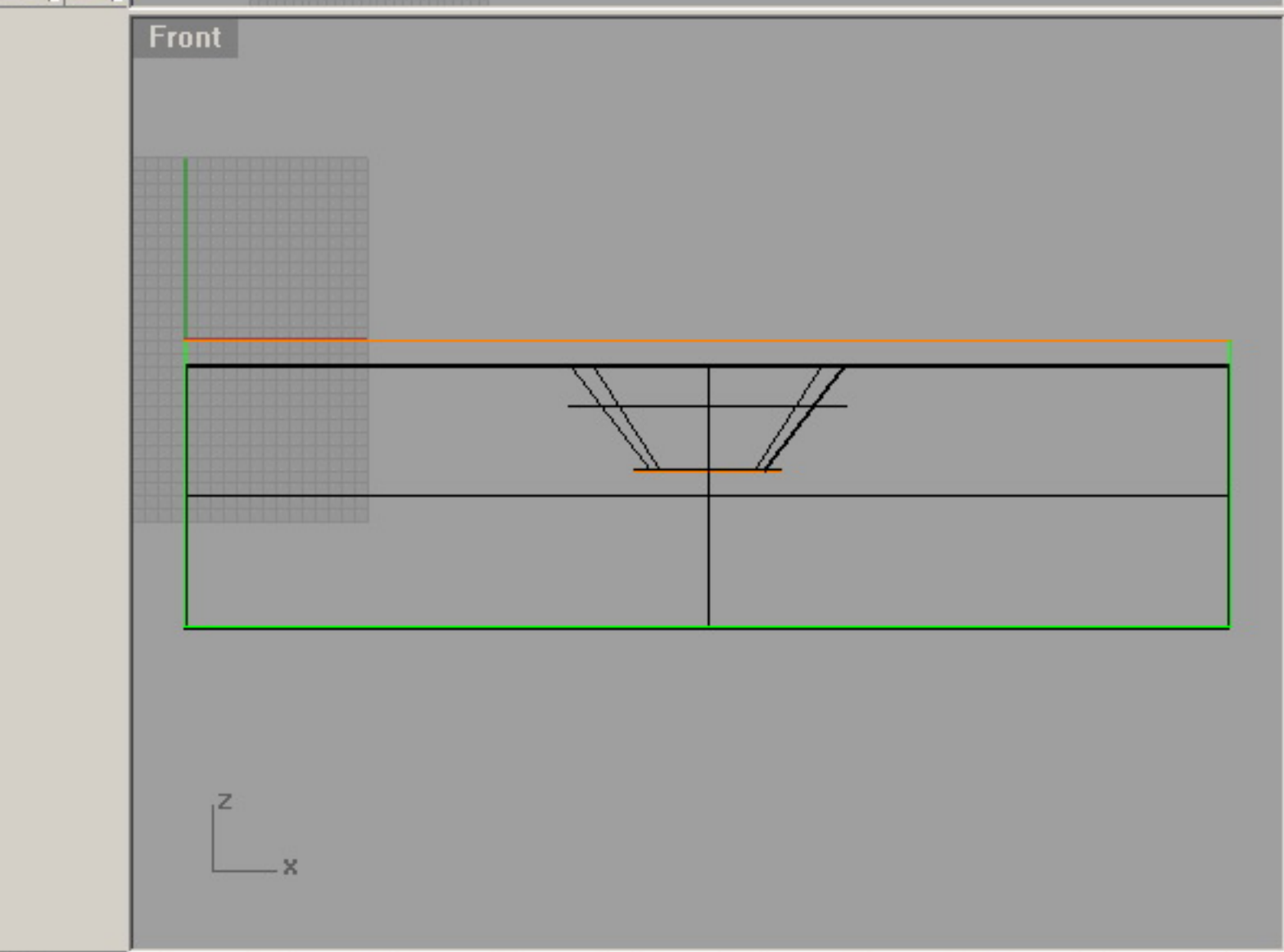


3D Toolpath

ayers  
Roughing



Name	Light	Lock	Color
Default	<input checked="" type="checkbox"/>	<input type="checkbox"/>	<input type="checkbox"/>
regions	<input type="checkbox"/>	<input type="checkbox"/>	<input type="checkbox"/>
Box / Workpiece	<input type="checkbox"/>	<input type="checkbox"/>	<input type="checkbox"/>



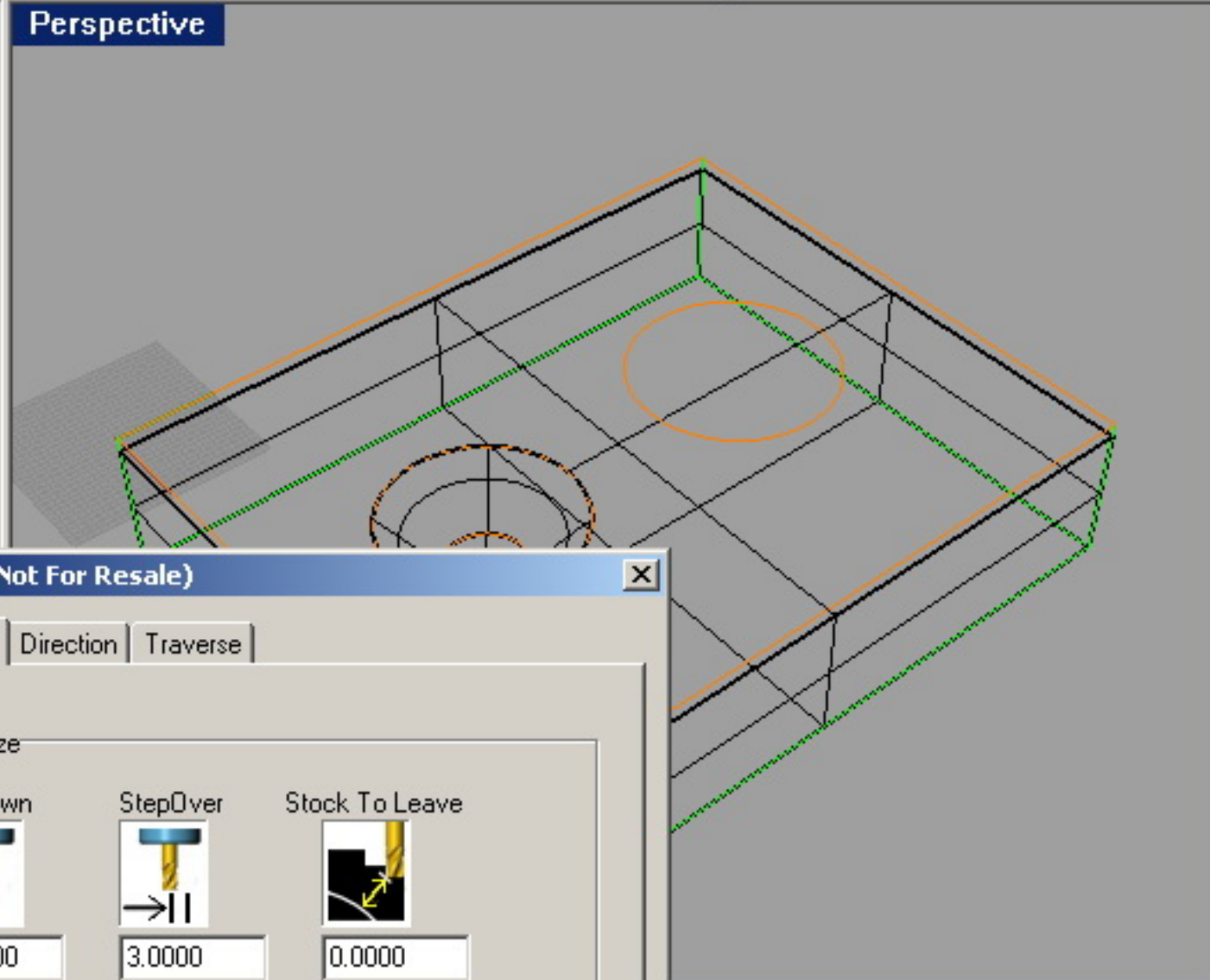
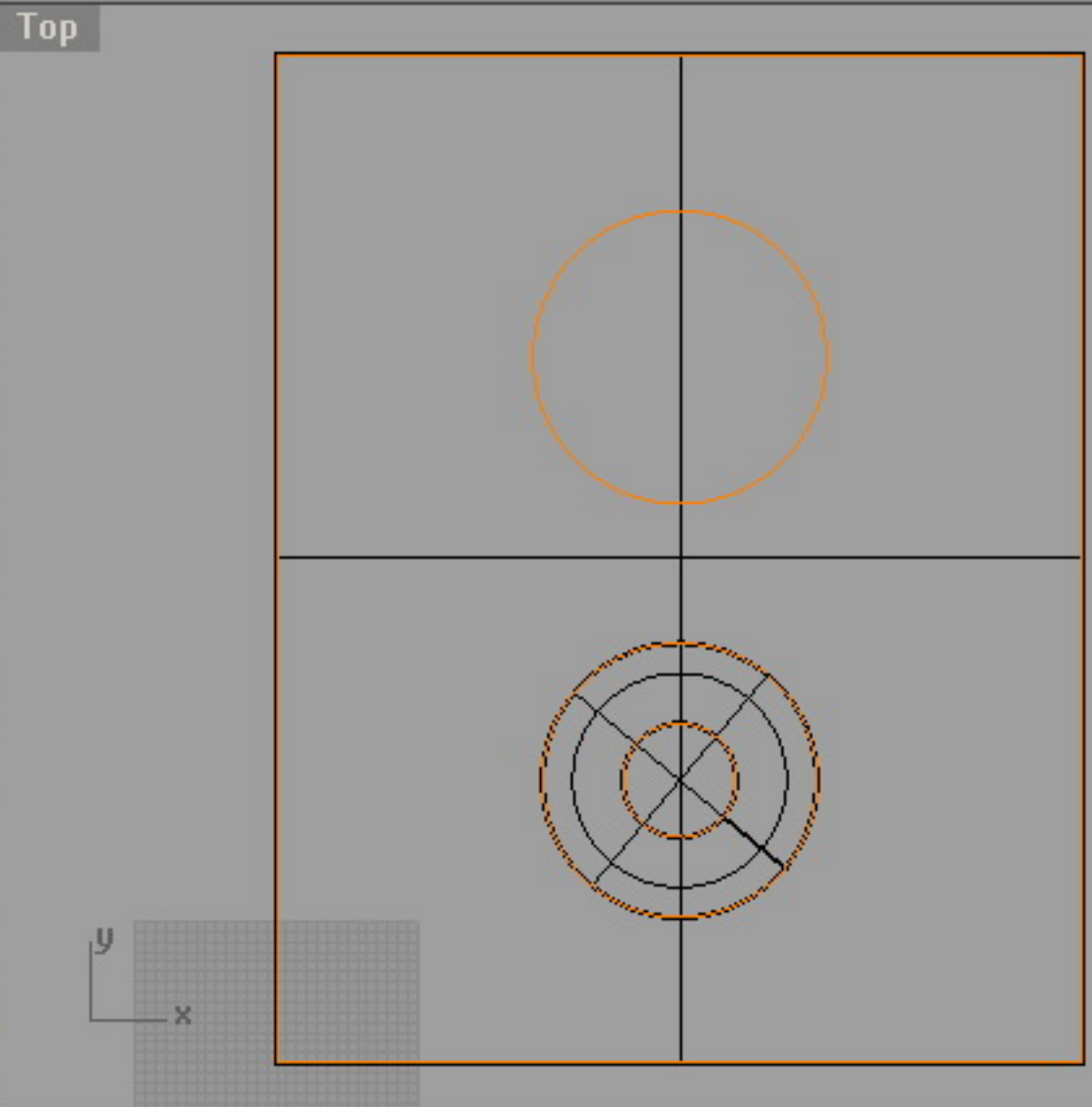
End  Near  Point  Mid  Cen  Int  Perp  Tan  Quad  Knot  Project  STrack  Disable

CPlane x 5.479 y 853.369 z 0.000 Default Snap Ortho Planar Osnap Record History



Enter MadCAM command to execute: Roughing

Command:



Layers - All Layers

Name	Visible	Locked	Color
Default	<input checked="" type="checkbox"/>	<input type="checkbox"/>	Black
regions	<input type="checkbox"/>	<input type="checkbox"/>	Orange
Box / Workpiece	<input type="checkbox"/>	<input type="checkbox"/>	Green

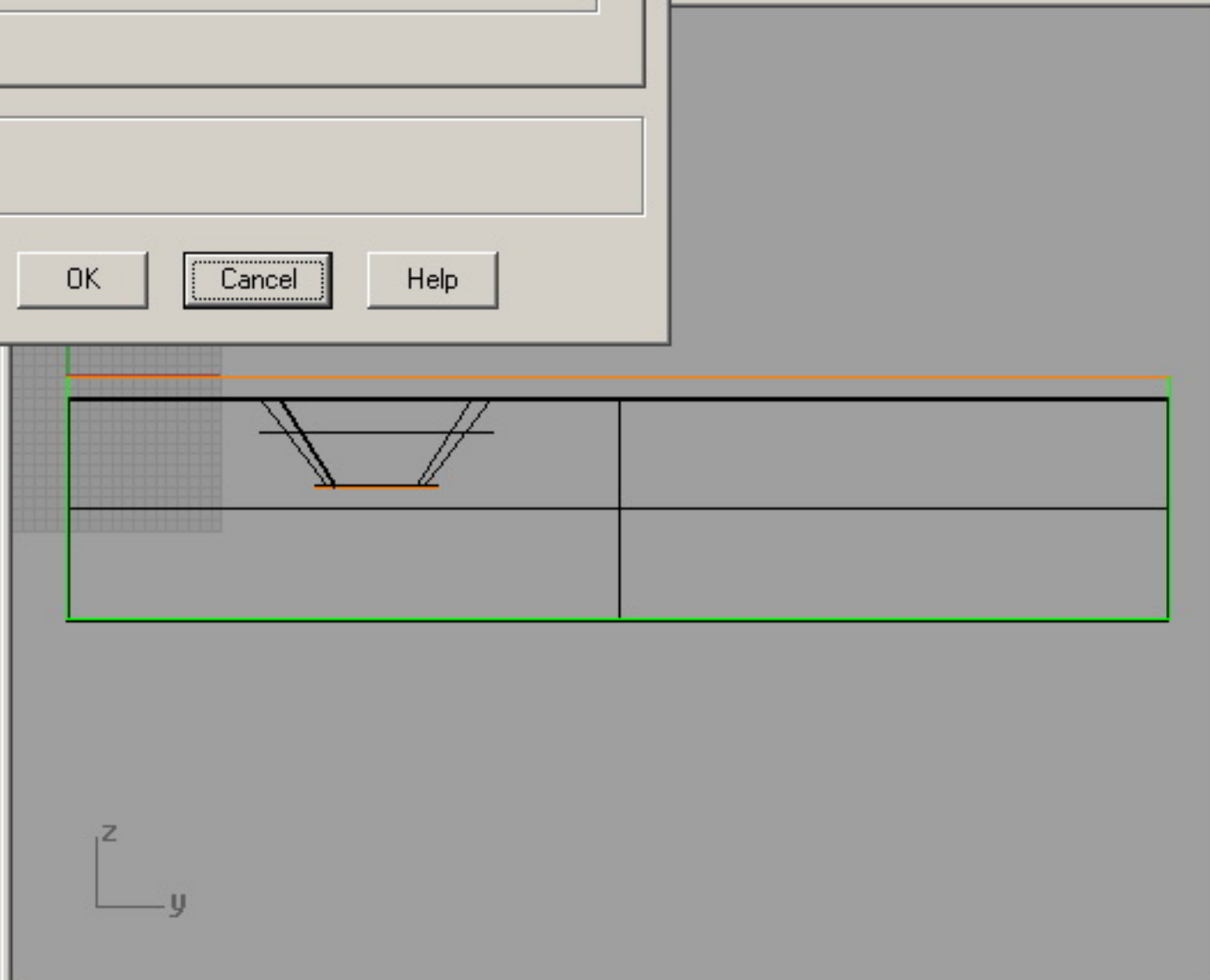
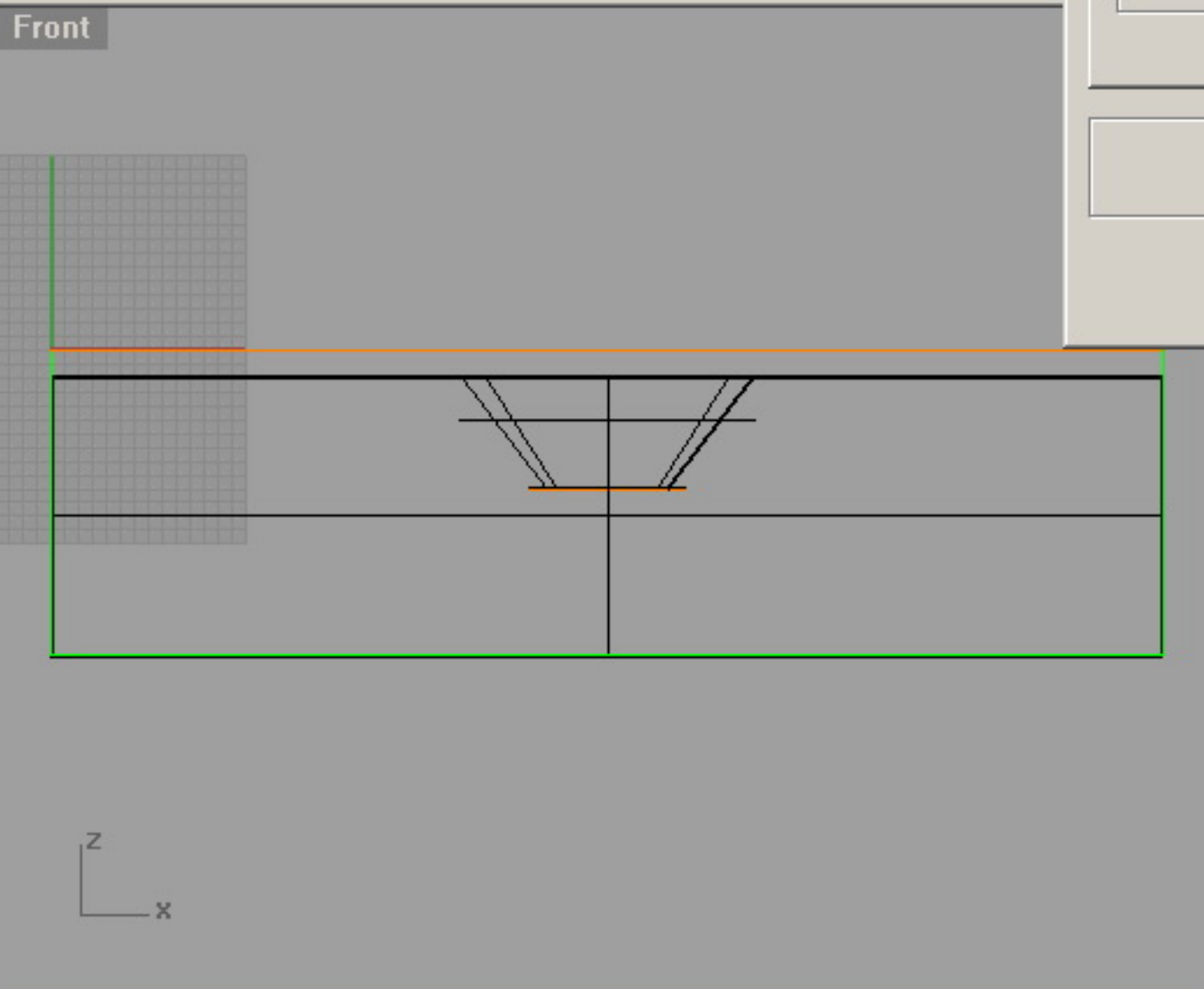
**Roughing (Not For Resale)**

Step Size | Direction | Traverse

Step Size

StepDown  1.5000	StepOver  3.0000	Stock To Leave  0.0000
------------------------	------------------------	------------------------------

OK Cancel Help



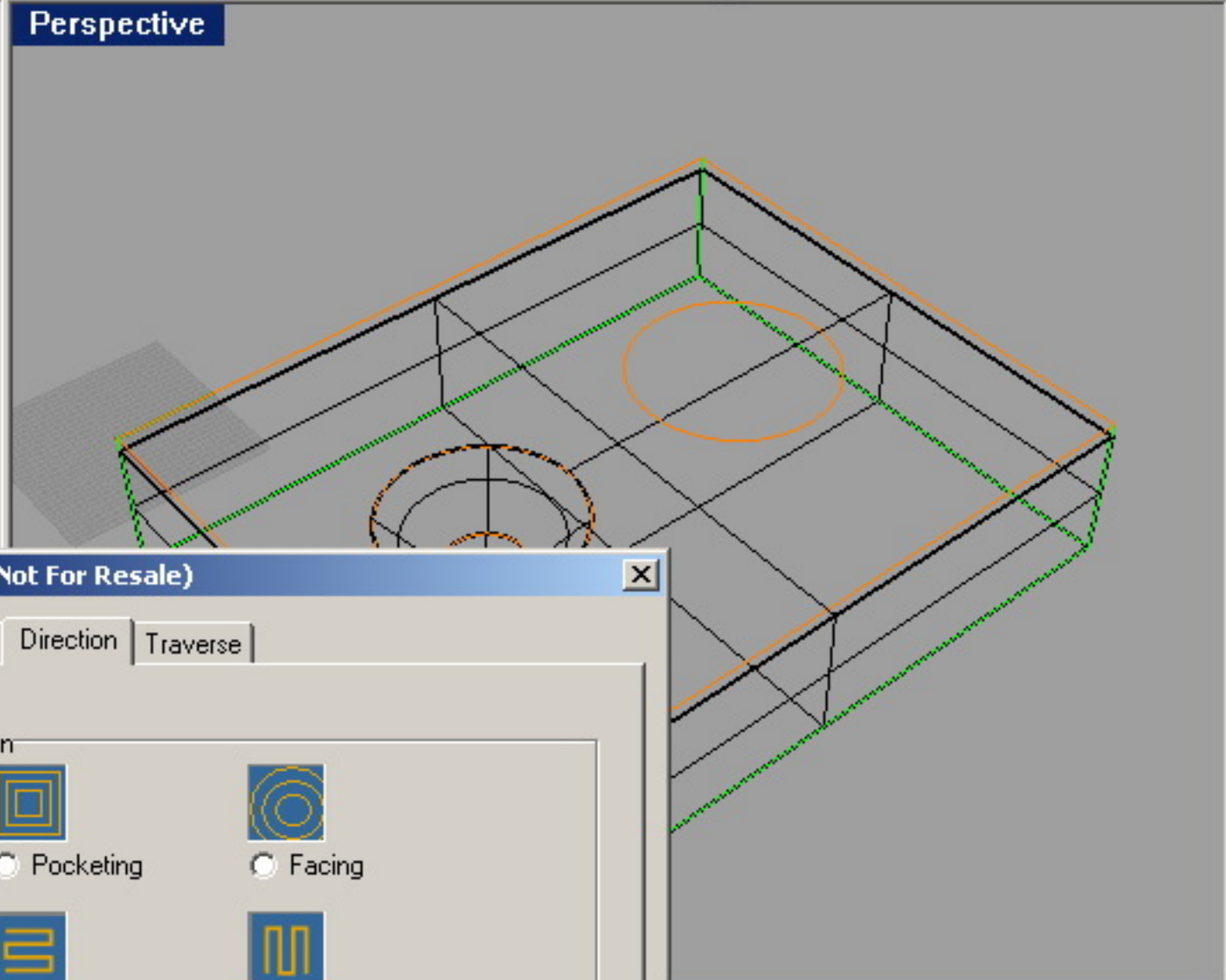
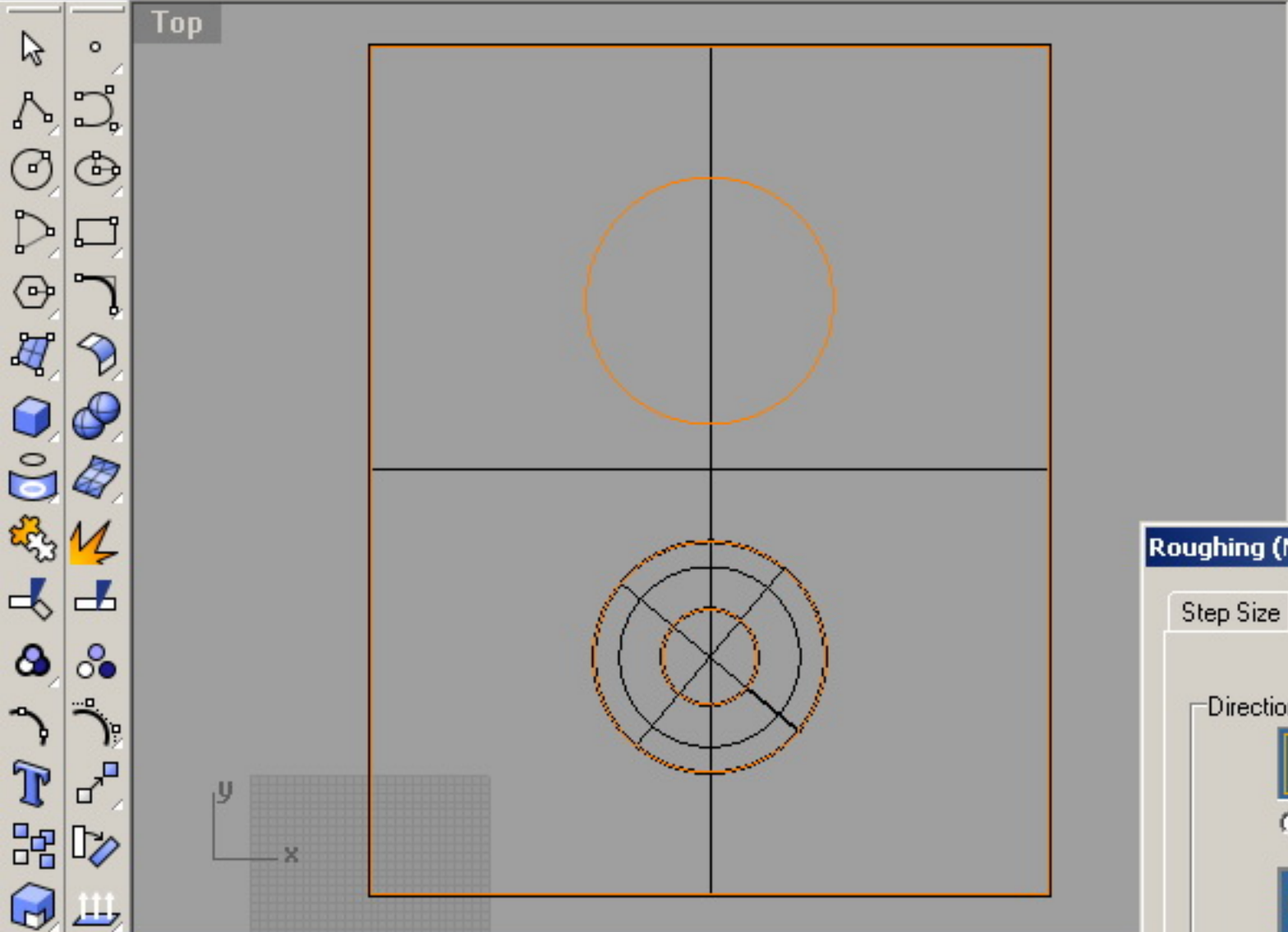
End  Near  Point  Mid  Cen  Int  Perp  Tan  Quad  Knot  Project  STrack  Disable

CPlane x 79.473 y 953.725 z 0.000 Default Snap Ortho Planar Osnap Record History



Enter MadCAM command to execute: Roughing

Command:



Layers - All Layers

Name	Visible	Locked	Color
Default	<input checked="" type="checkbox"/>	<input type="checkbox"/>	Black
regions	<input type="checkbox"/>	<input type="checkbox"/>	Orange
Box / Workpiece	<input type="checkbox"/>	<input type="checkbox"/>	Green

**Roughing (Not For Resale)**

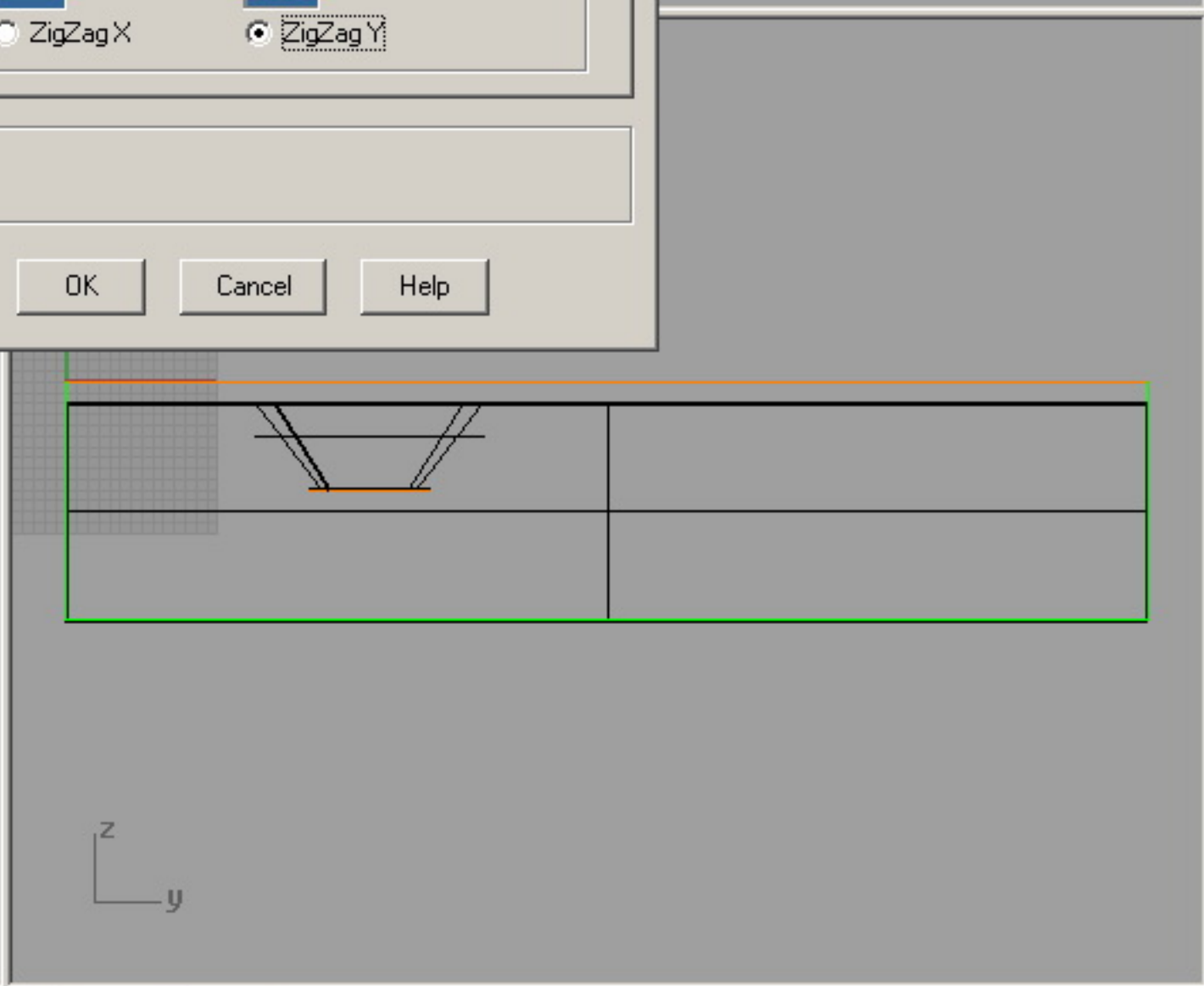
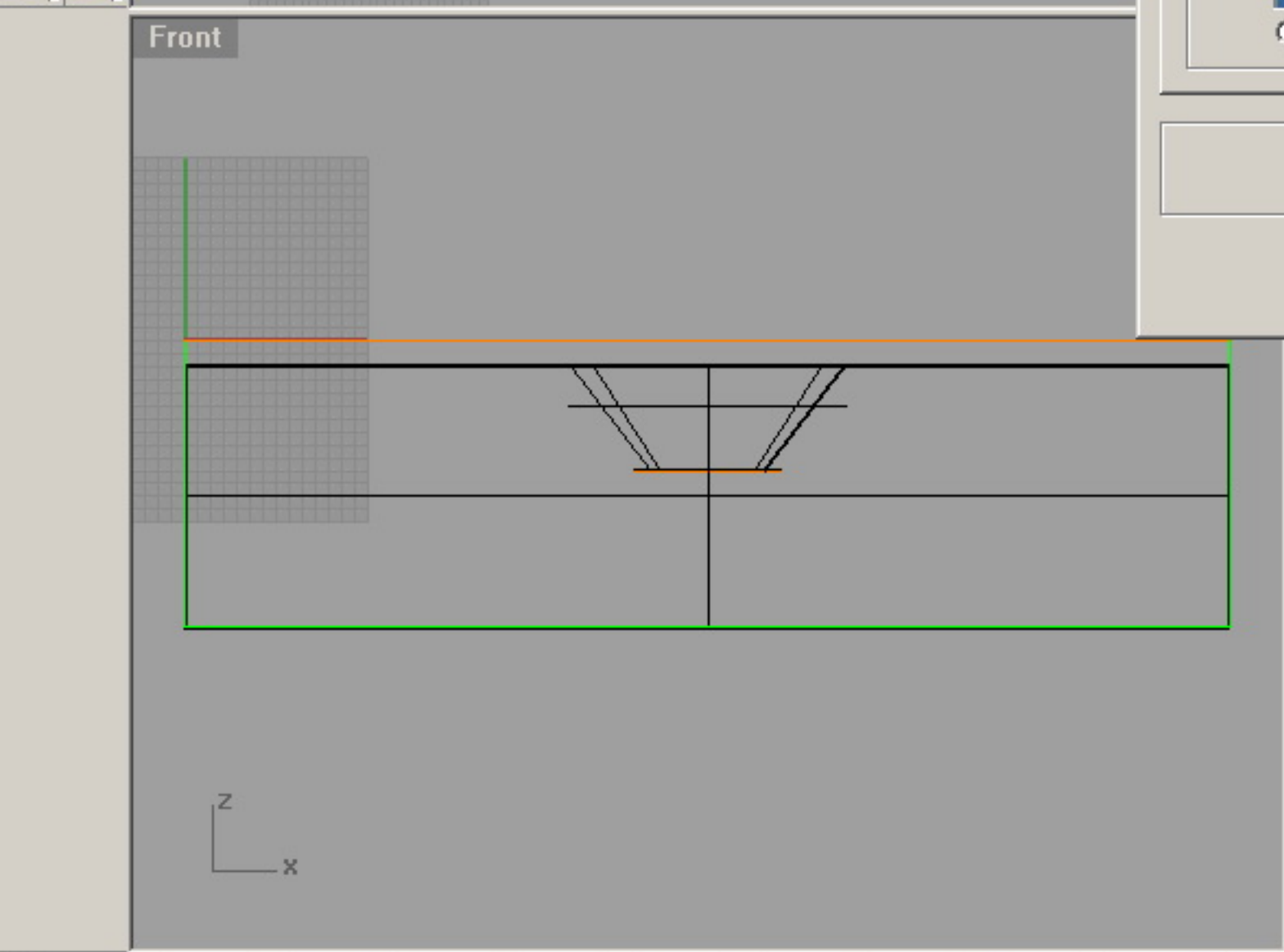
Step Size | **Direction** | Traverse

Direction

Pocketing     Facing

ZigZag X     ZigZag Y

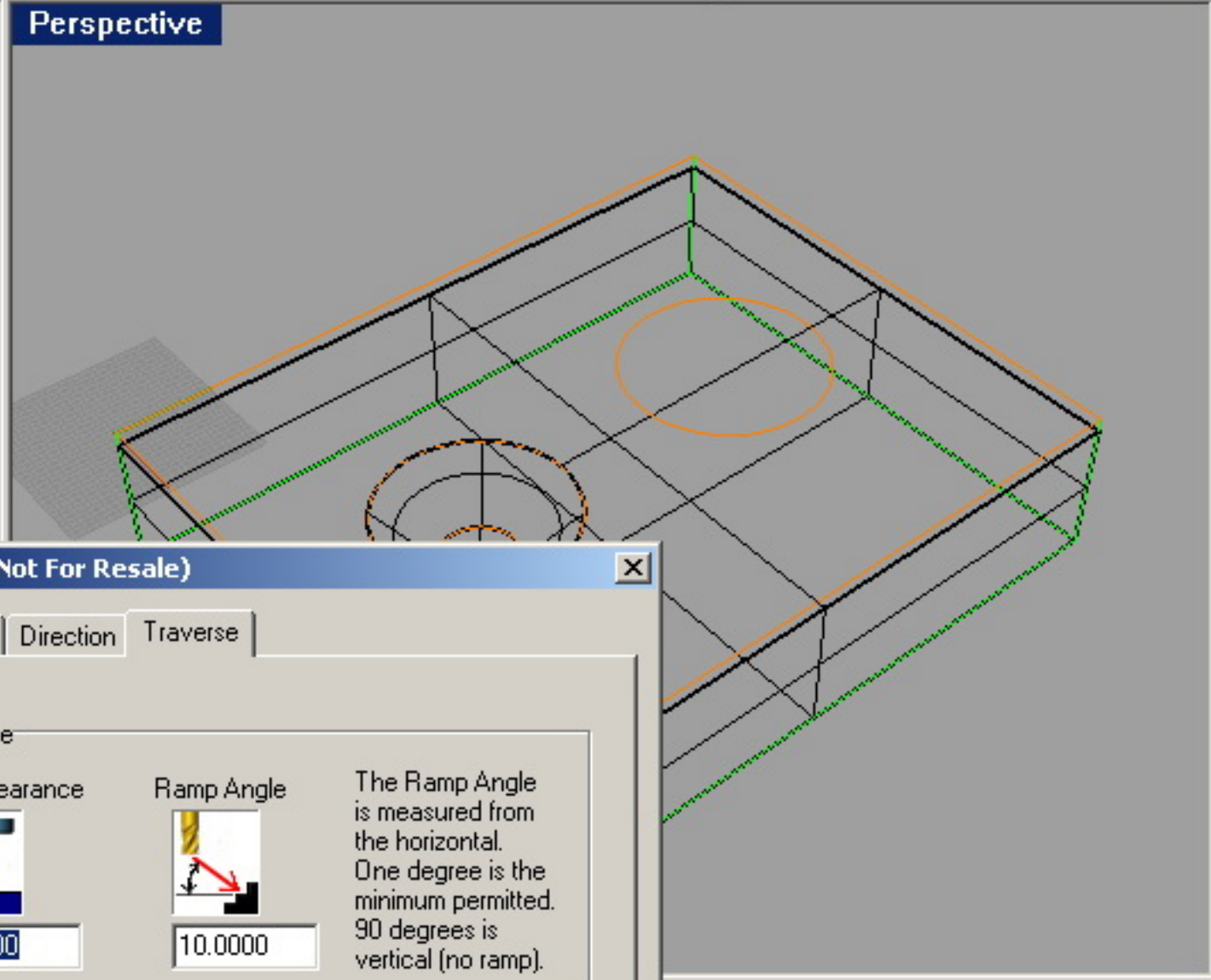
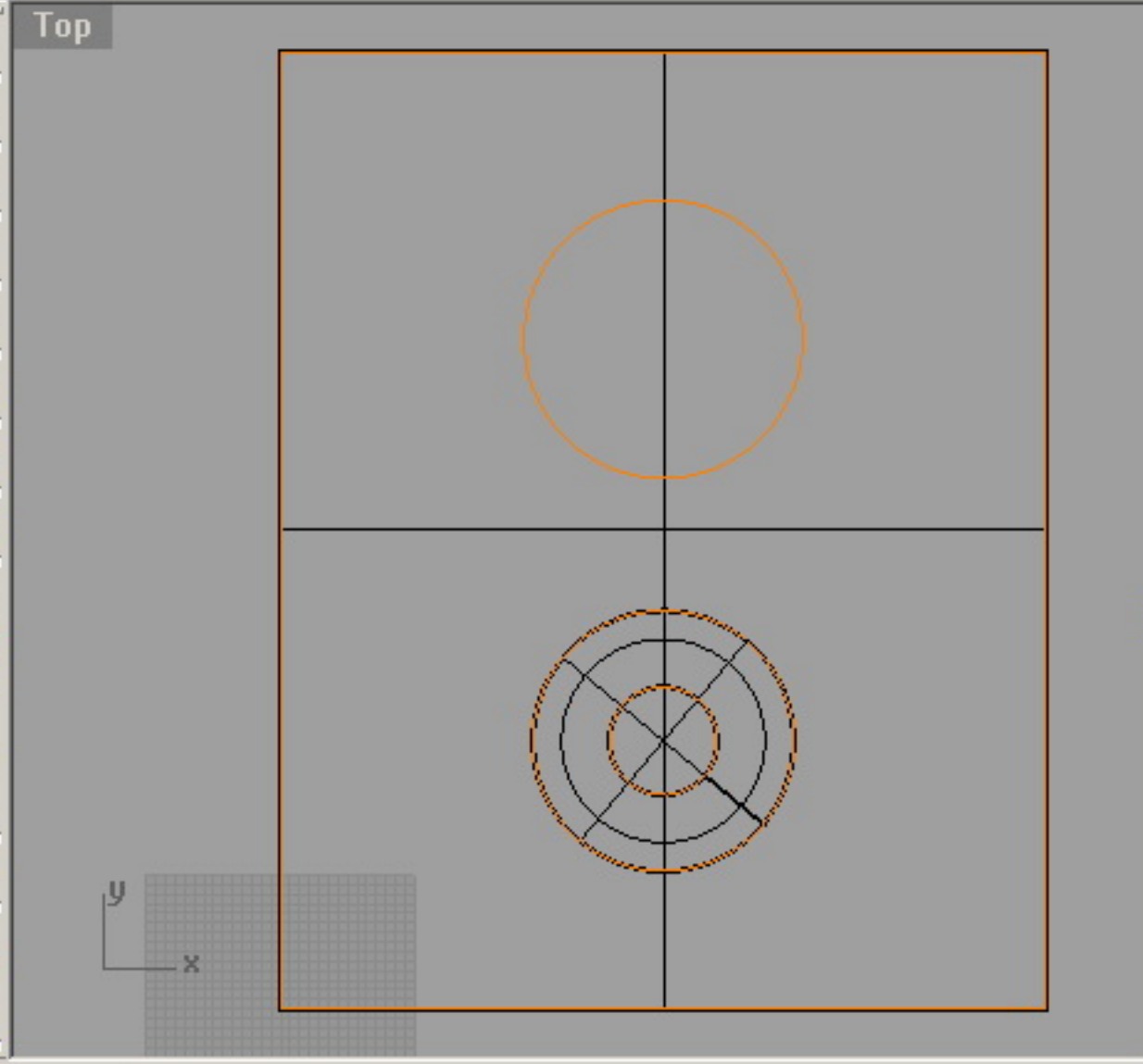
OK    Cancel    Help





Enter MadCAM command to execute: Roughing

Command:





Layers - All Layers

Name	Visible	Locked	Color
Default	<input checked="" type="checkbox"/>	<input type="checkbox"/>	Black
regions	<input type="checkbox"/>	<input type="checkbox"/>	Orange
Box / Workpiece	<input type="checkbox"/>	<input type="checkbox"/>	Green

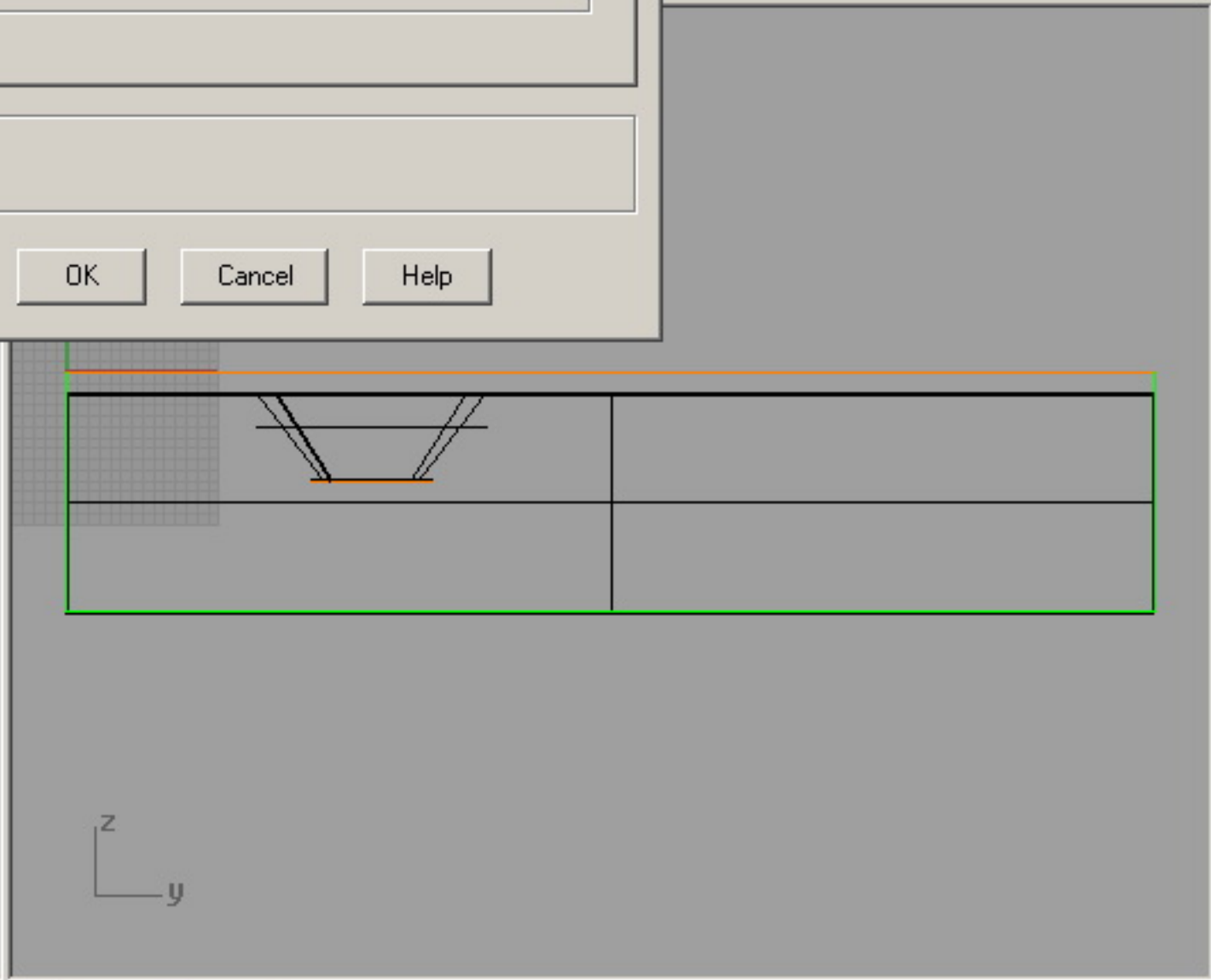
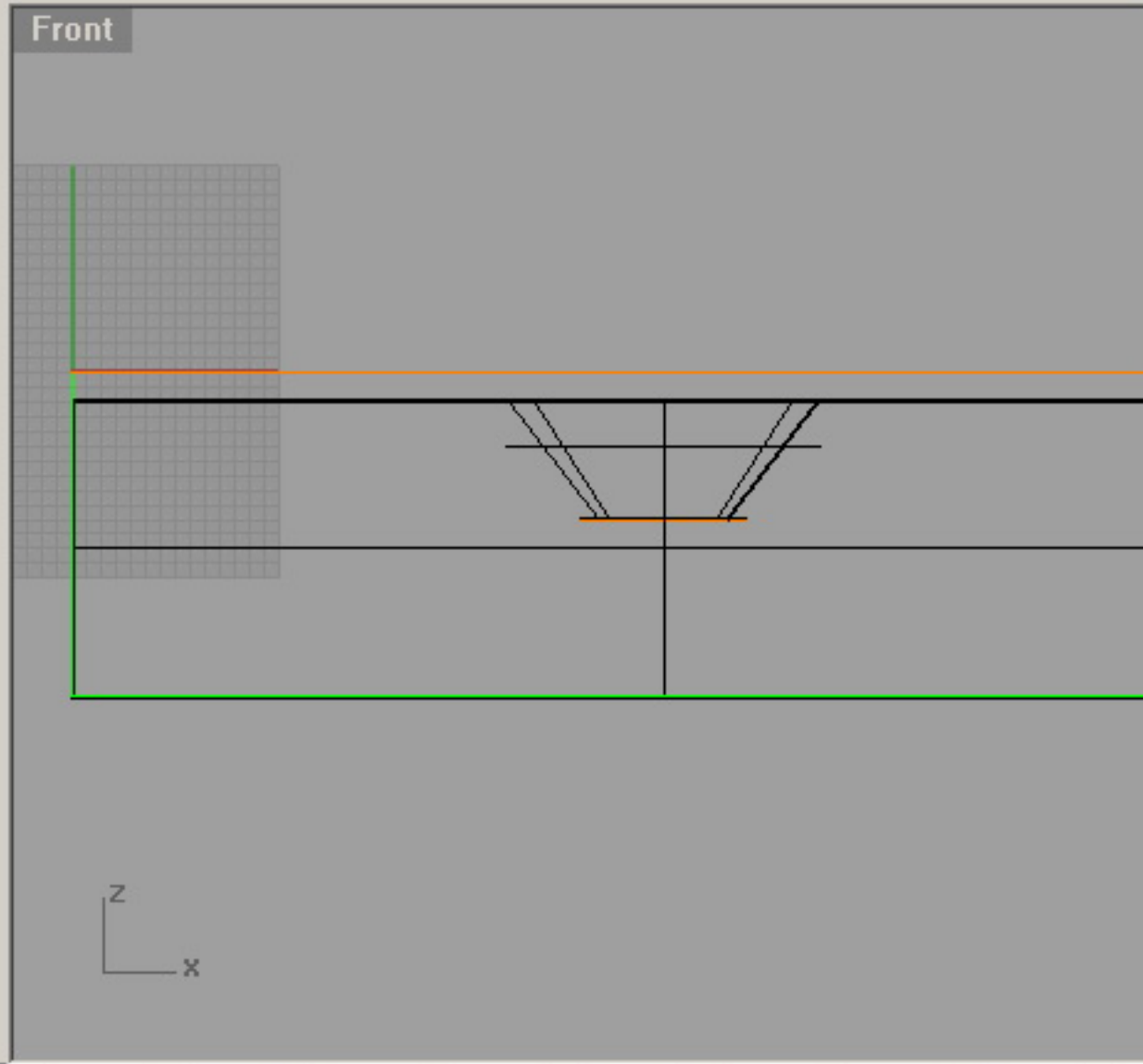
**Roughing (Not For Resale)**

Step Size | Direction | Traverse

Traverse

Safe Clearance	Ramp Angle	The Ramp Angle is measured from the horizontal. One degree is the minimum permitted. 90 degrees is vertical (no ramp).
 3.0000	 10.0000	

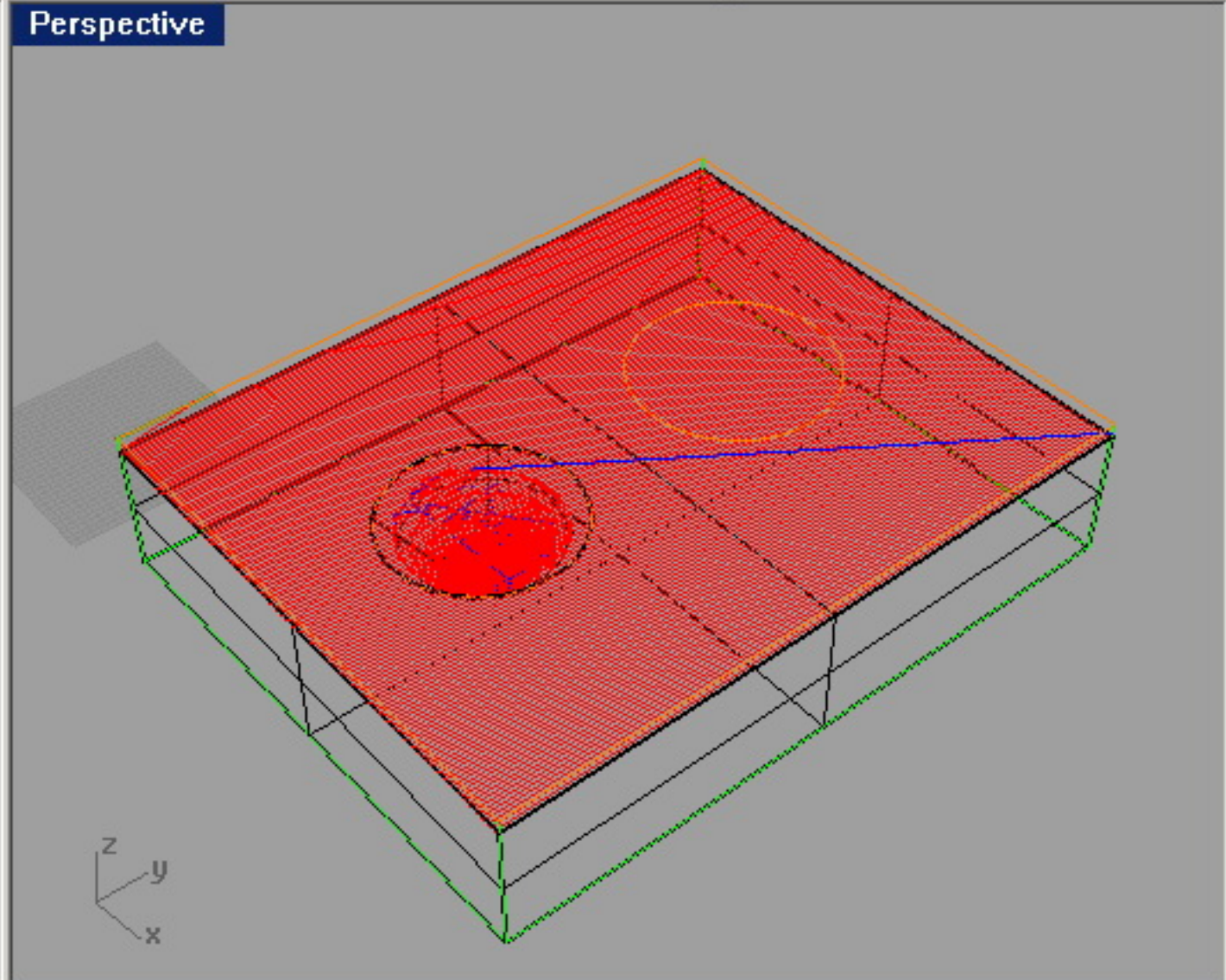
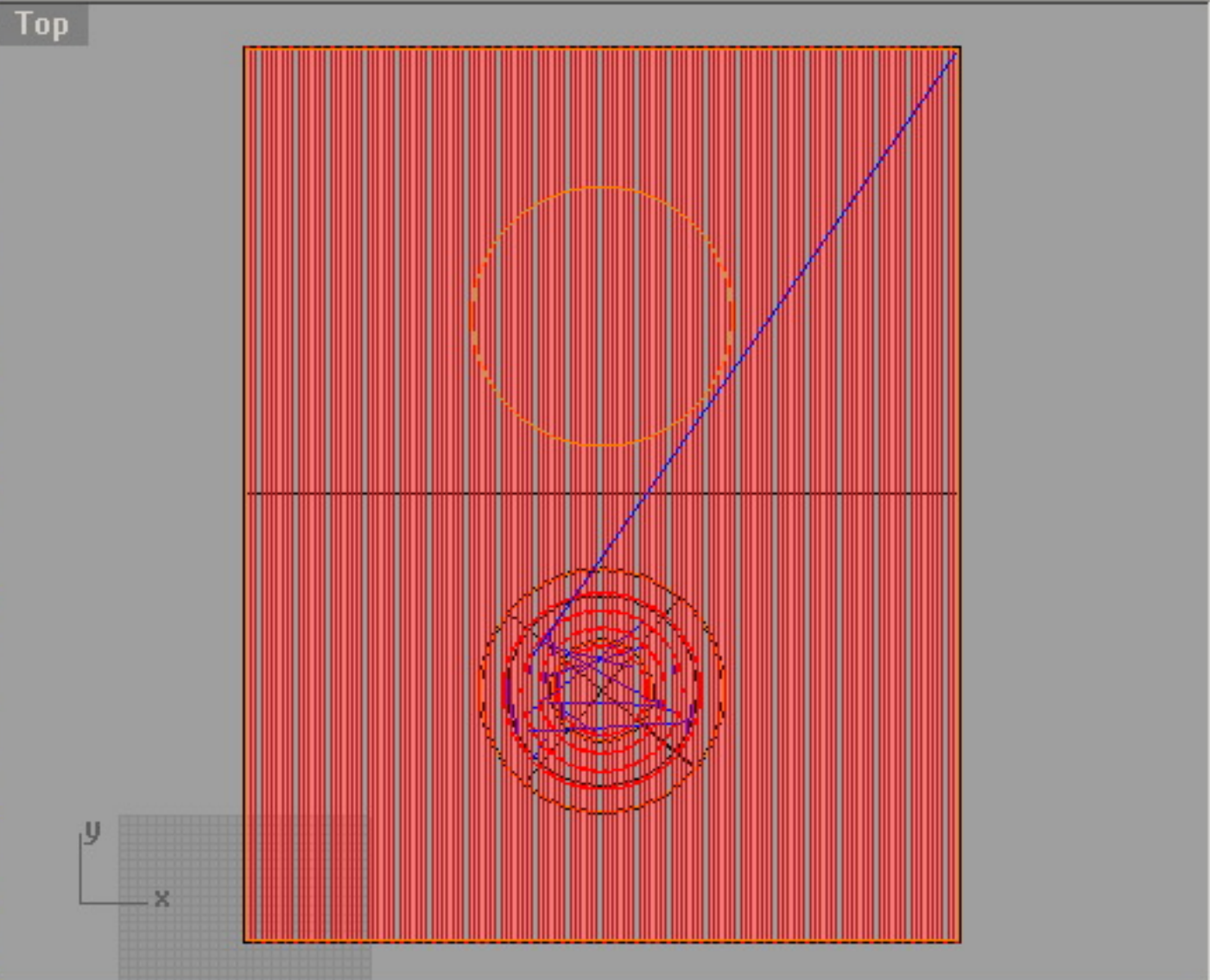
OK Cancel Help





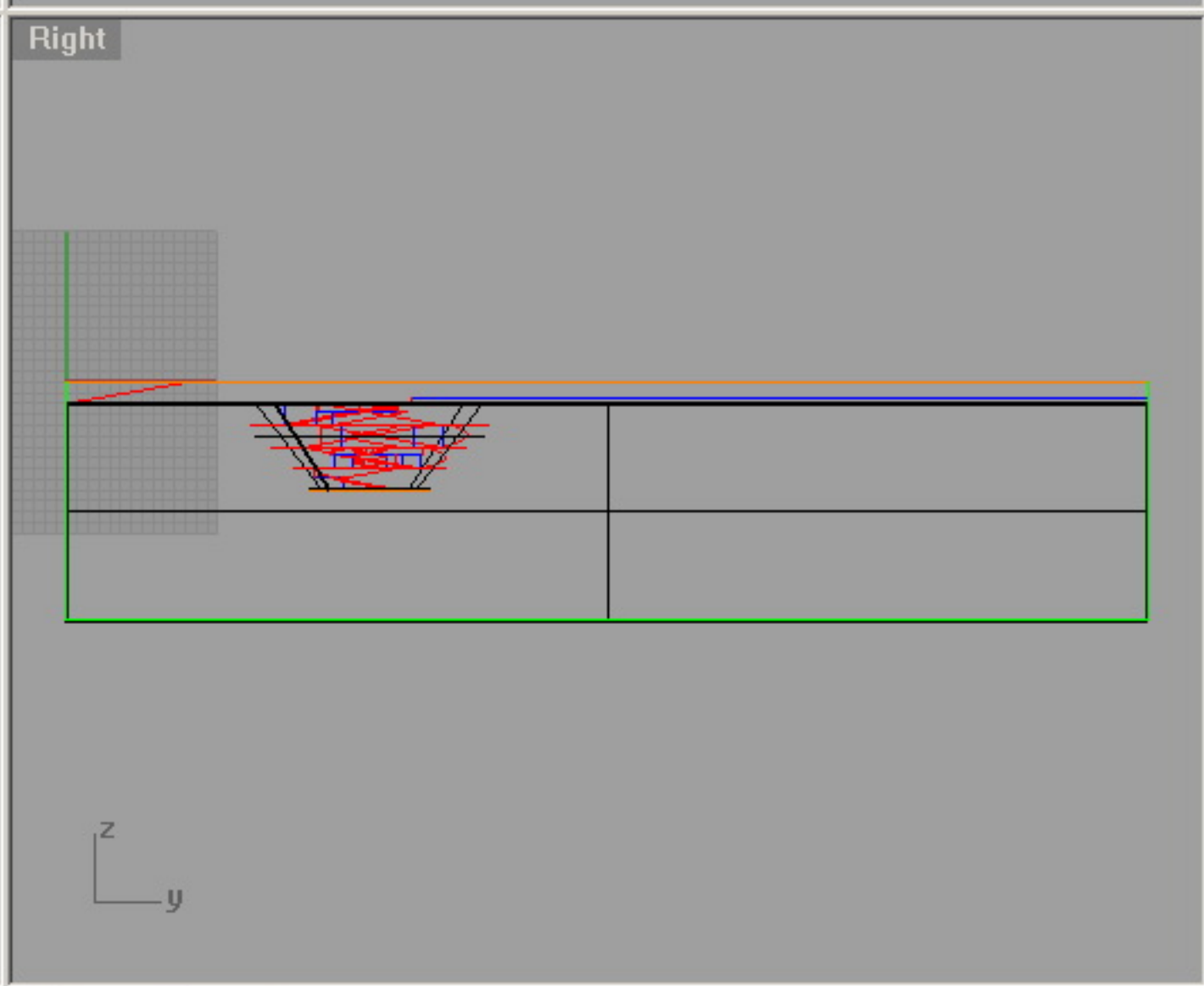
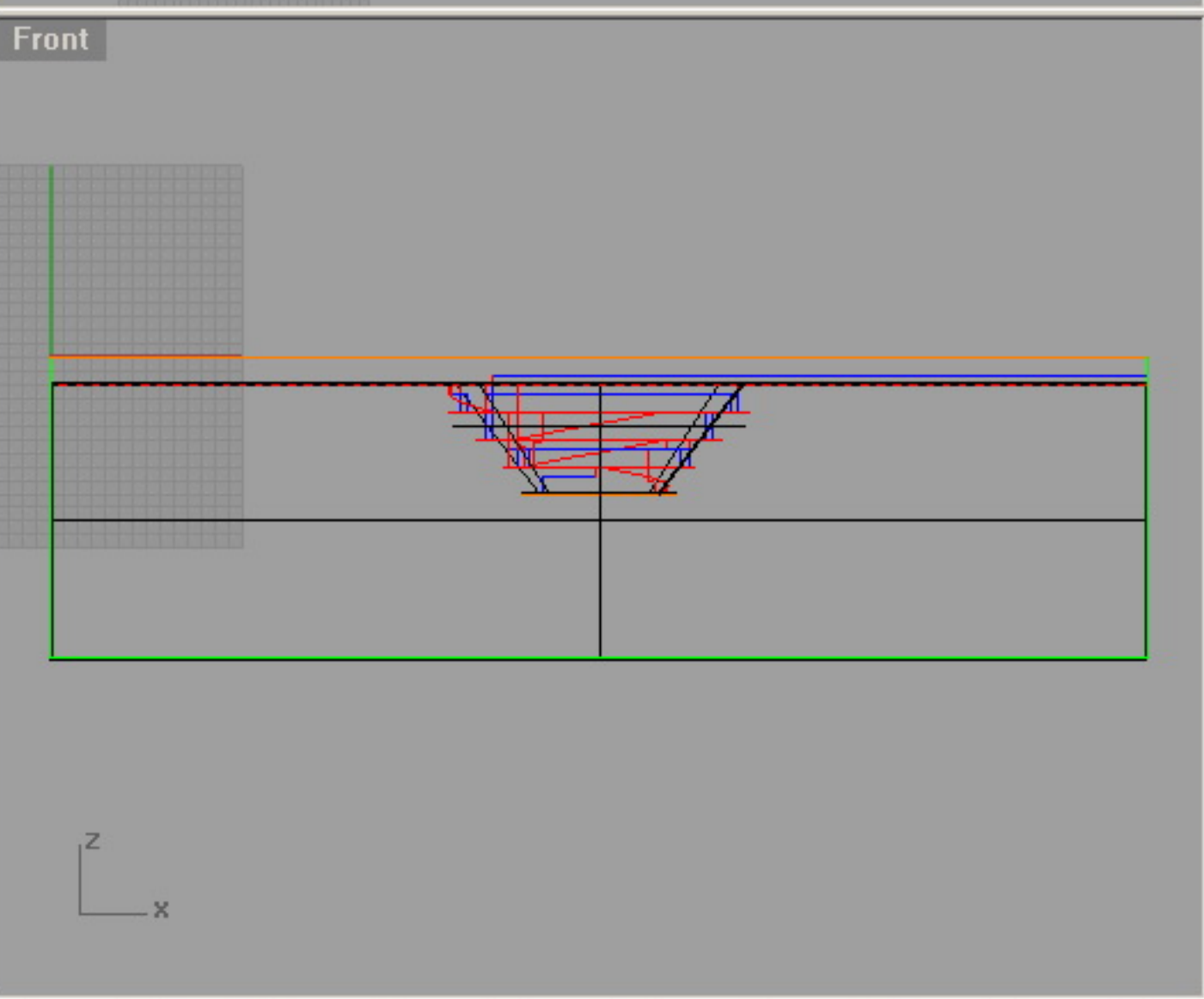
Enter MadCAM command to execute: Roughing

Command:



Layers - All Layers

Name	Visible	Locked	Color
Default	<input checked="" type="checkbox"/>	<input type="checkbox"/>	Black
regions	<input type="checkbox"/>	<input type="checkbox"/>	Orange
Box / Workpiece	<input type="checkbox"/>	<input type="checkbox"/>	Green
ROUGHING-flat end 6mm_0-Group01	<input type="checkbox"/>	<input type="checkbox"/>	Red



End  Near  Point  Mid  Cen  Int  Perp  Tan  Quad  Knot  Project  STrack  Disable

CPlane x 21.008 y 66.293 z 0.000  Default **Snap** Ortho Planar **Osnap** Record History



Enter MadCAM command to execute: Roughing

Command:

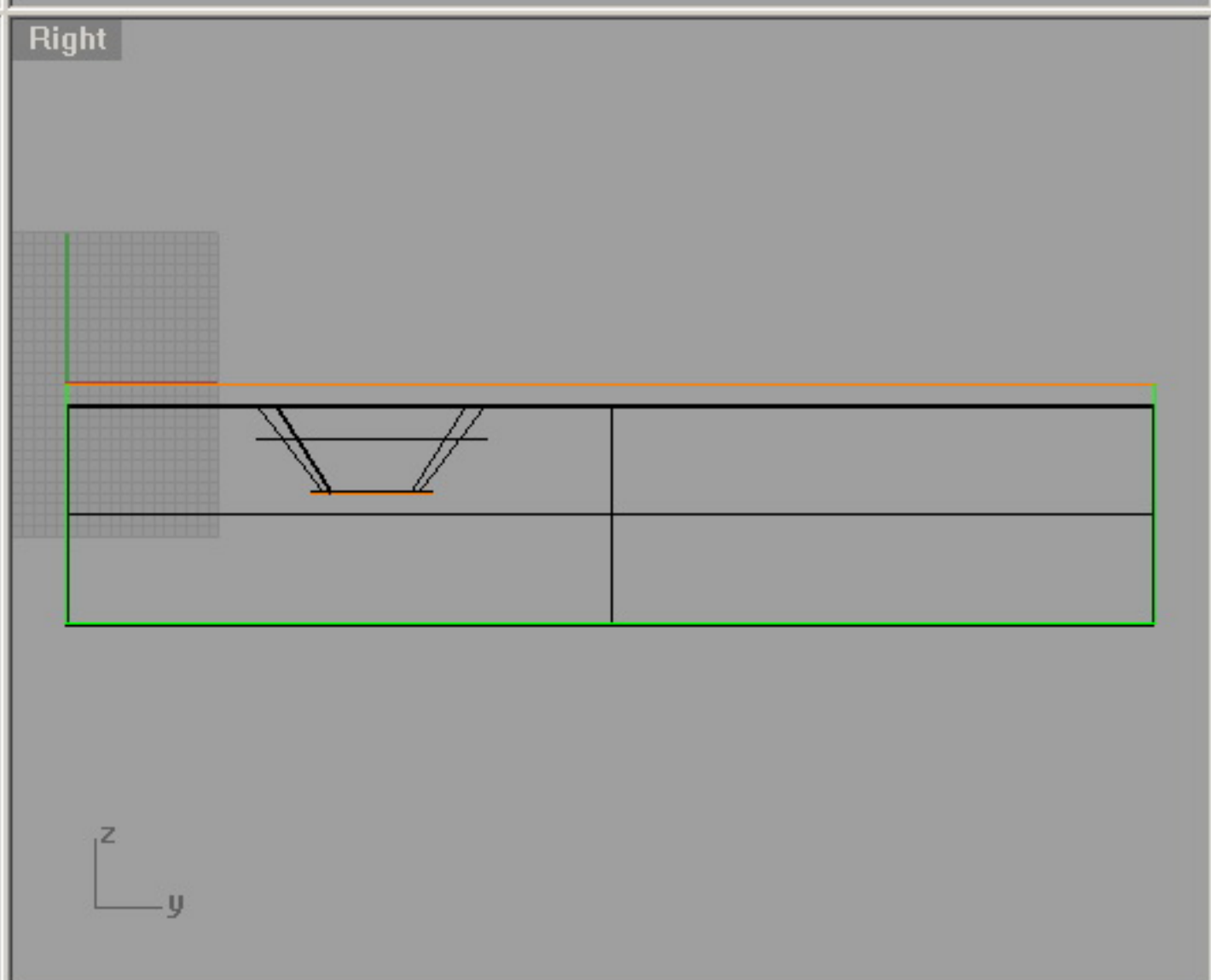
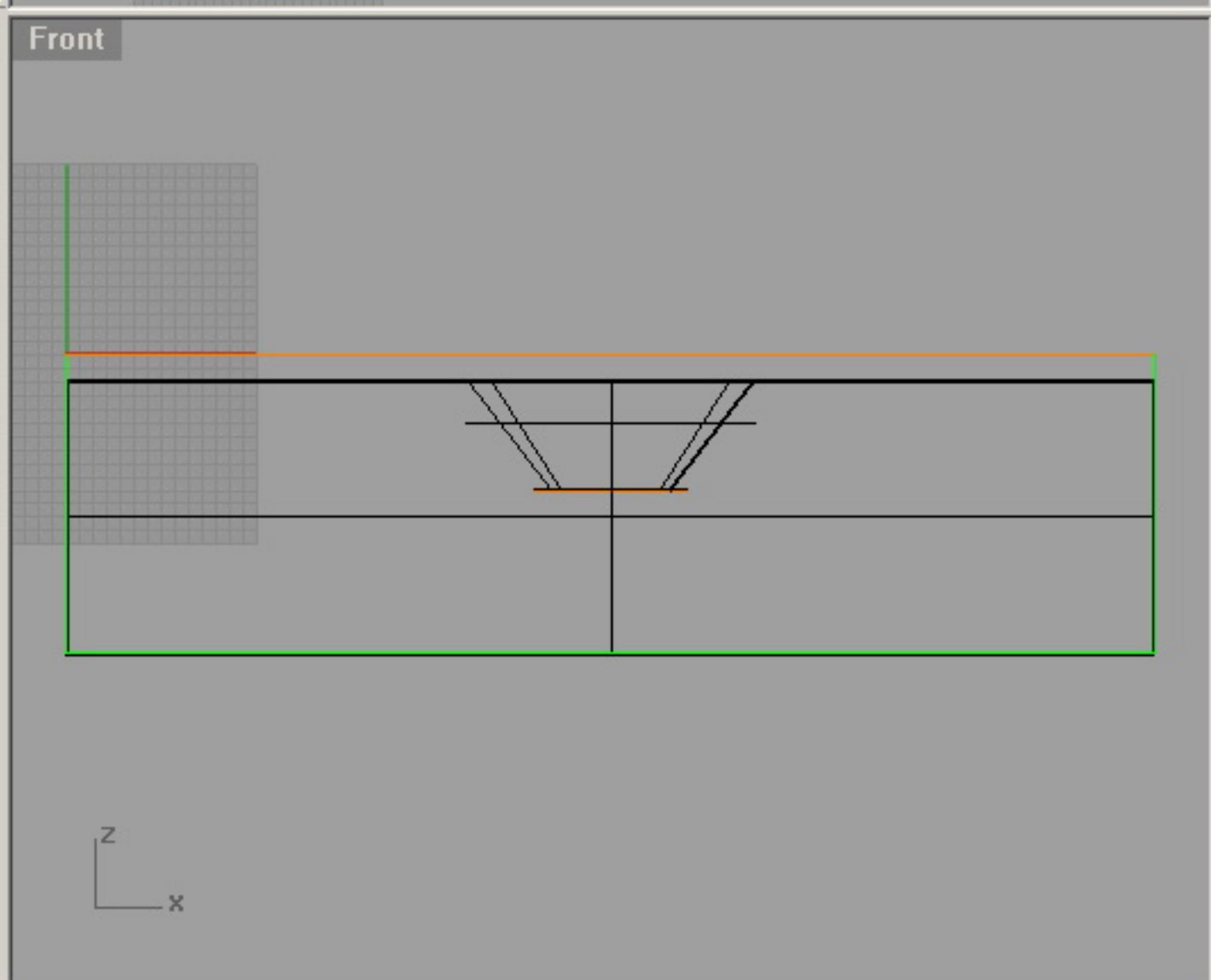
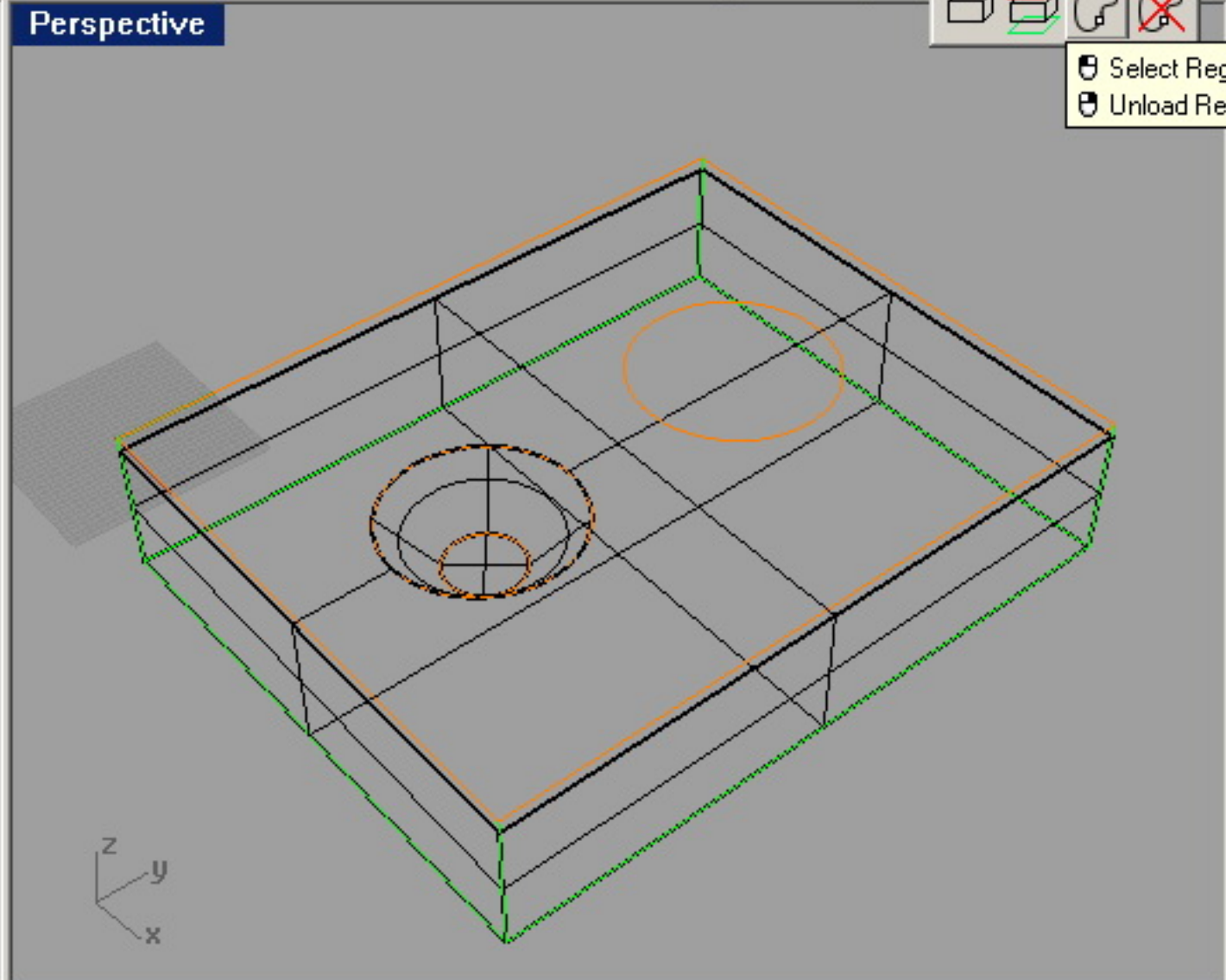
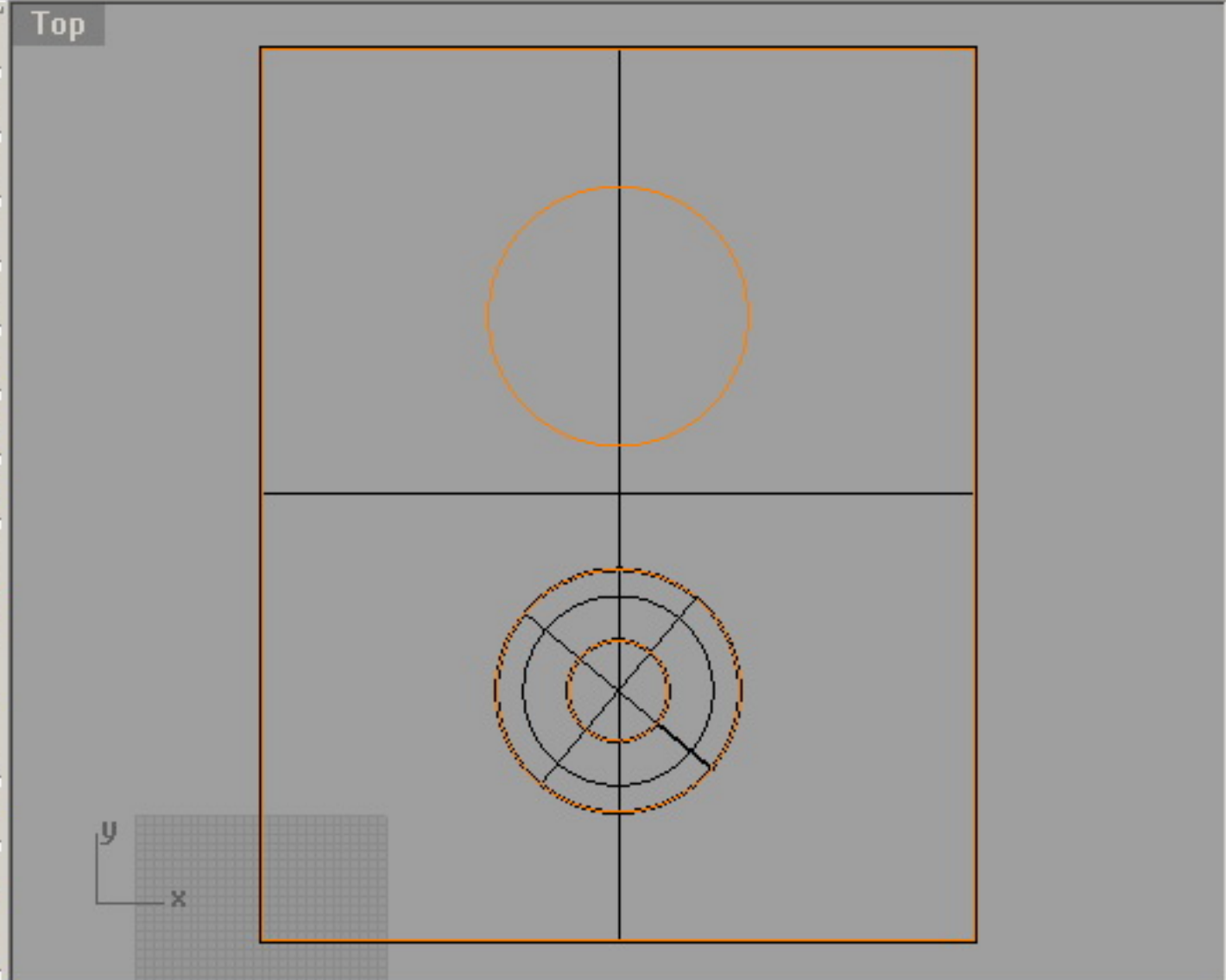


**Regions**

- Select Region Curves
- Unload Region Curves

Layers - All Layers

- Default
- regions
- Box / Workpiece
- ROUGHING-flat end 6mm\_0-Group01



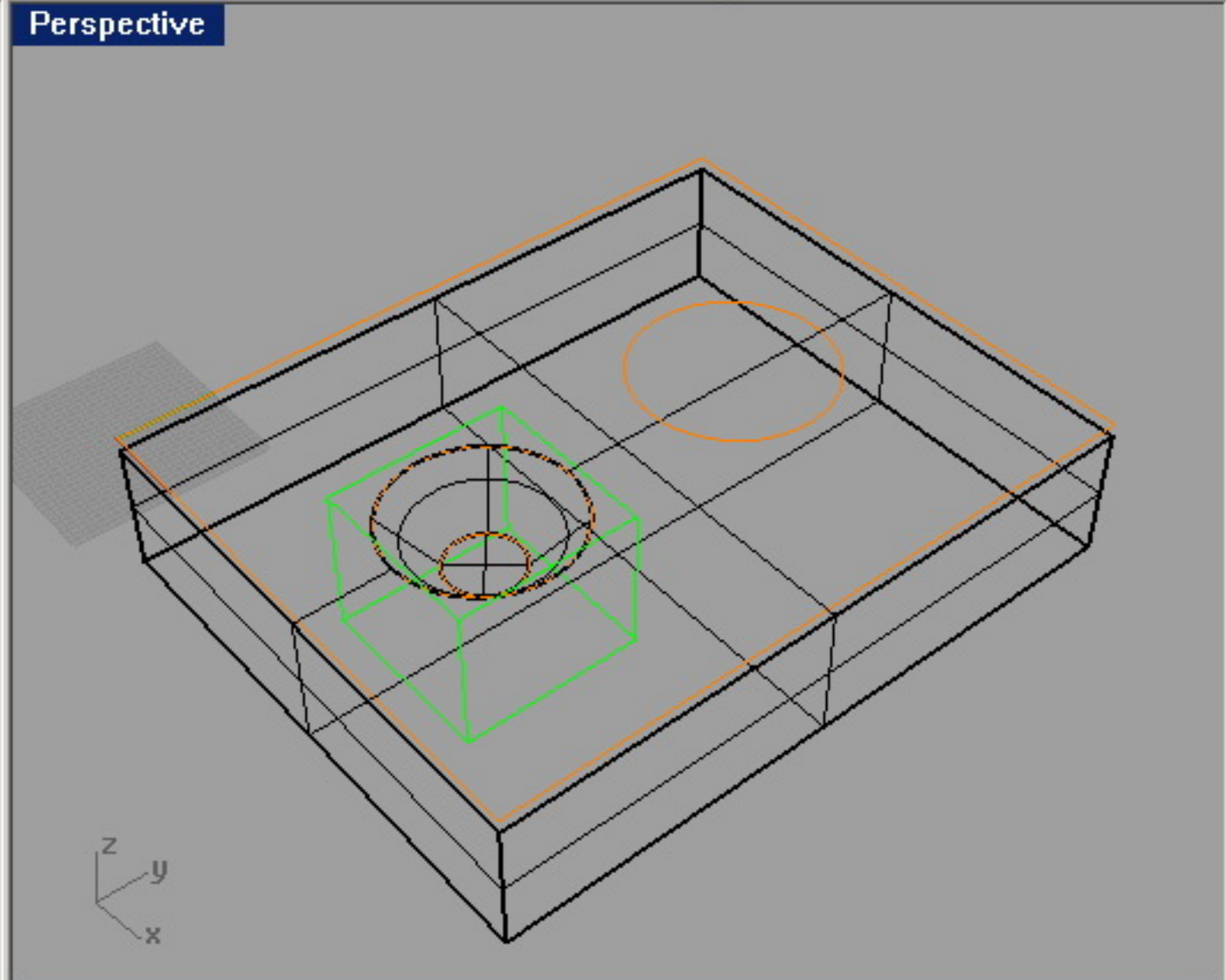
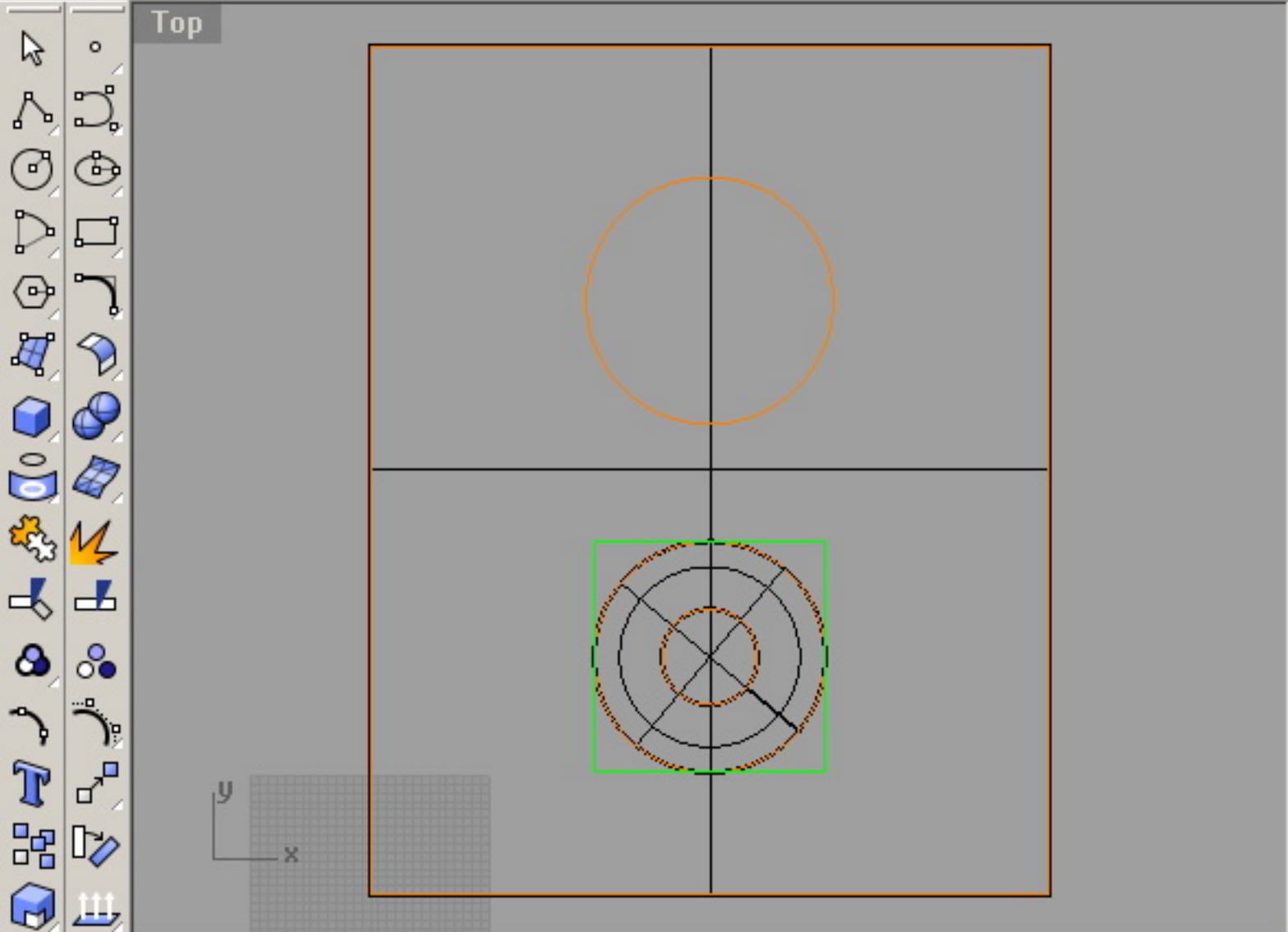
End
  Near
  Point
  Mid
  Cen
  Int
  Perp
  Tan
  Quad
  Knot
  Project
  STrack
  Disable

CPlane x -64.966 y 775.041 z 0.000 0.000
  Default
  Snap
  Ortho
  Planar
  Osnap
  Record History



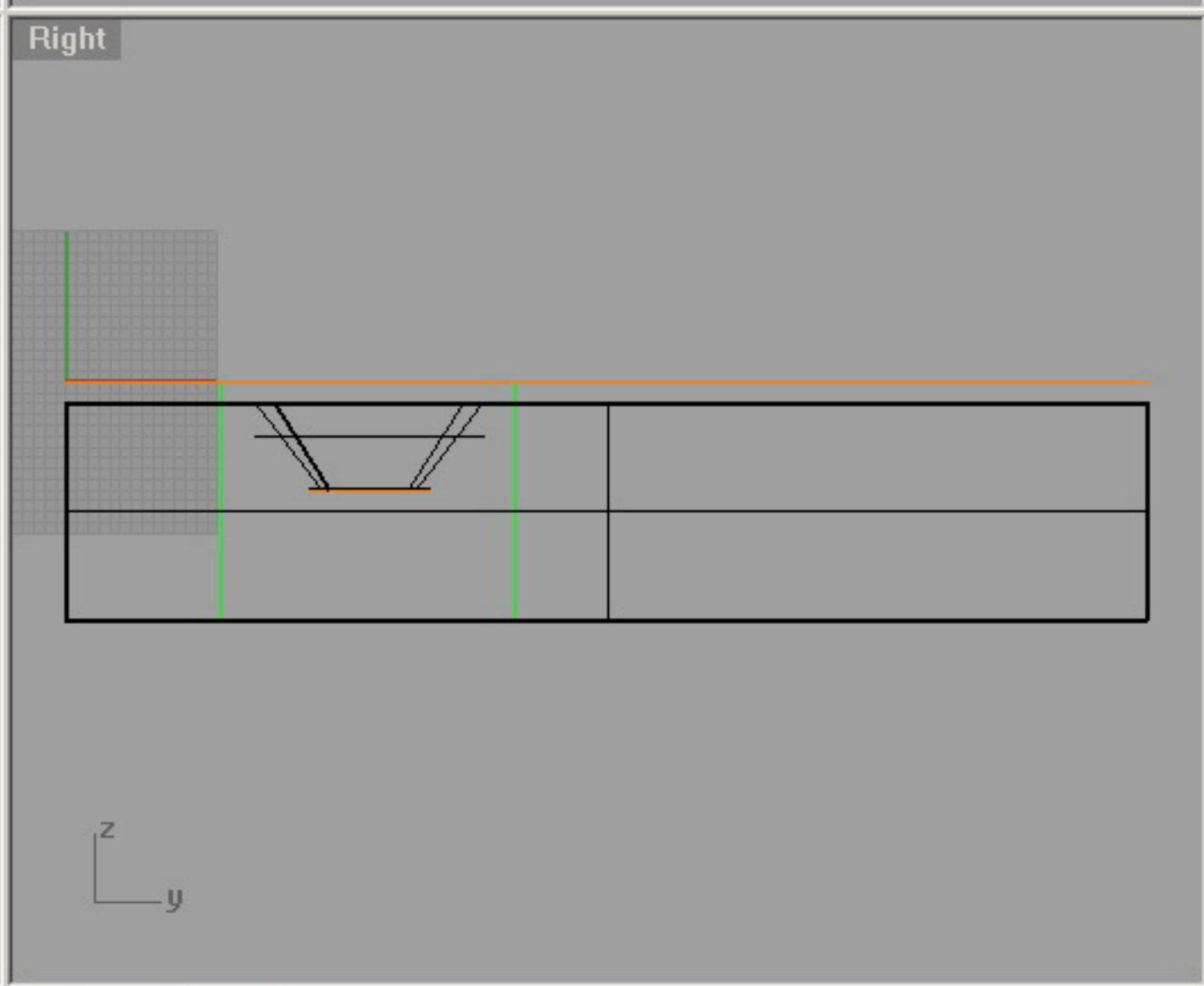
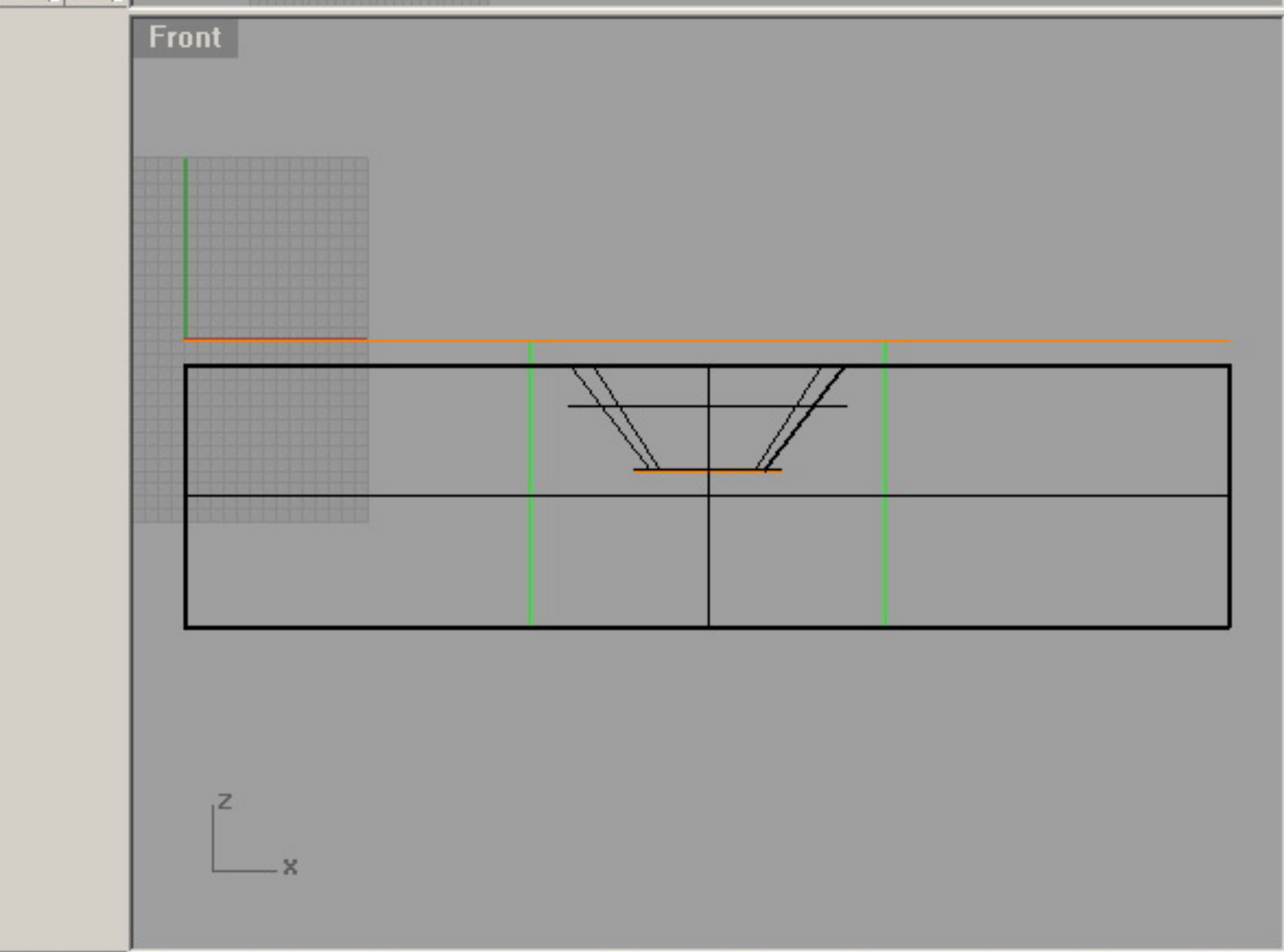
Select Curves. Press Enter when done:

Command:



Layers - All Layers

Name	Color	Light	Lock	Hide
Default	Black	<input checked="" type="checkbox"/>	<input type="checkbox"/>	<input type="checkbox"/>
regions	Orange	<input type="checkbox"/>	<input type="checkbox"/>	<input type="checkbox"/>
Box / Workpiece	Green	<input type="checkbox"/>	<input type="checkbox"/>	<input type="checkbox"/>
ROUGHING-flat end 6mm_0-Group01	Blue	<input type="checkbox"/>	<input type="checkbox"/>	<input type="checkbox"/>



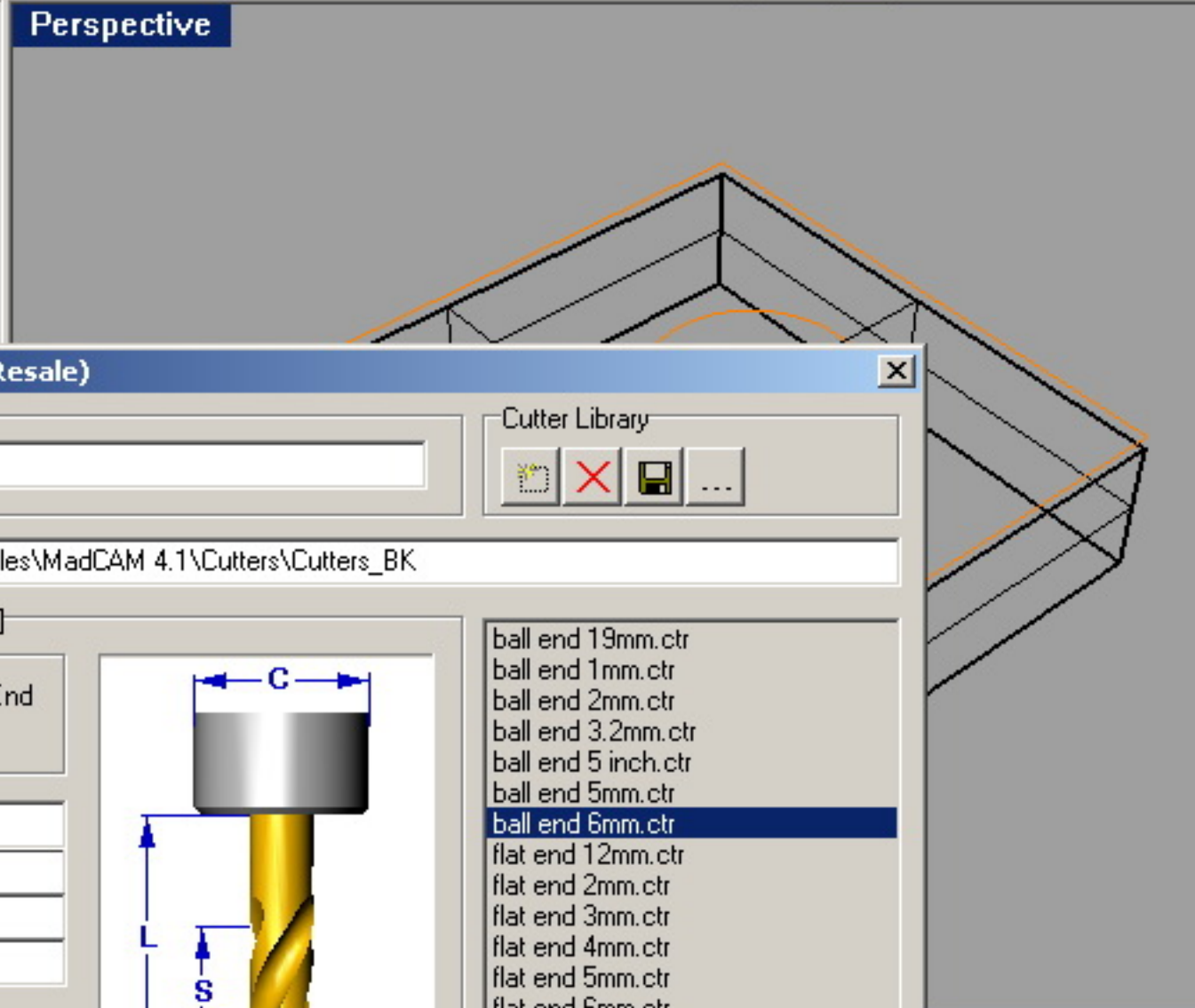
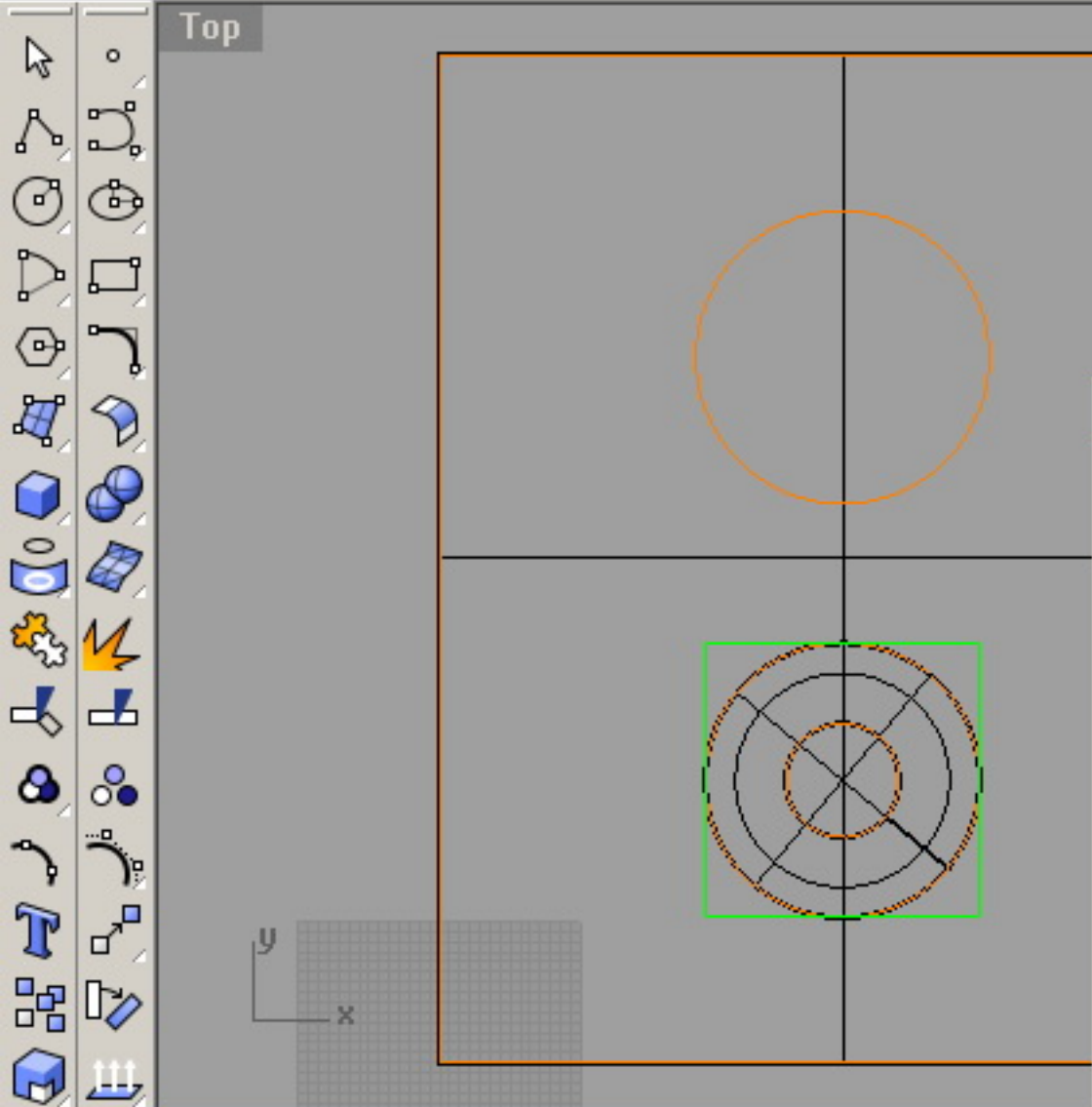
End  Near  Point  Mid  Cen  Int  Perp  Tan  Quad  Knot  Project  STrack  Disable

CPlane x 557.404 y 186.191 z 0.000 0.000 Default Snap Ortho Planar Osnap Record History



Enter MadCAM command to execute: Cutter

Command:



Layers - All Layers

Name	Color	Visibility
Default	Black	Checked
regions	Light Blue	Checked
Box / Workpiece	Green	Checked
ROUGHING-flat end 6mm_0-Group01	Red	Checked

### madCAM Cutters (Not For Resale)

Name:

Cutter Library:

Cutters Path:

Dimensions [Millimeters]

Flat End     Corner End  
 Ball End     Taper

Tool Holder	C	<input type="text"/>
Diameter	D	<input type="text" value="6"/>
Length	L	<input type="text" value="55"/>
Cutting Length	S	<input type="text" value="25"/>

- ball end 19mm.ctr
- ball end 1mm.ctr
- ball end 2mm.ctr
- ball end 3.2mm.ctr
- ball end 5 inch.ctr
- ball end 5mm.ctr
- ball end 6mm.ctr**
- flat end 12mm.ctr
- flat end 2mm.ctr
- flat end 3mm.ctr
- flat end 4mm.ctr
- flat end 5mm.ctr
- flat end 6mm.ctr
- flat end 8mm.ctr

Speed

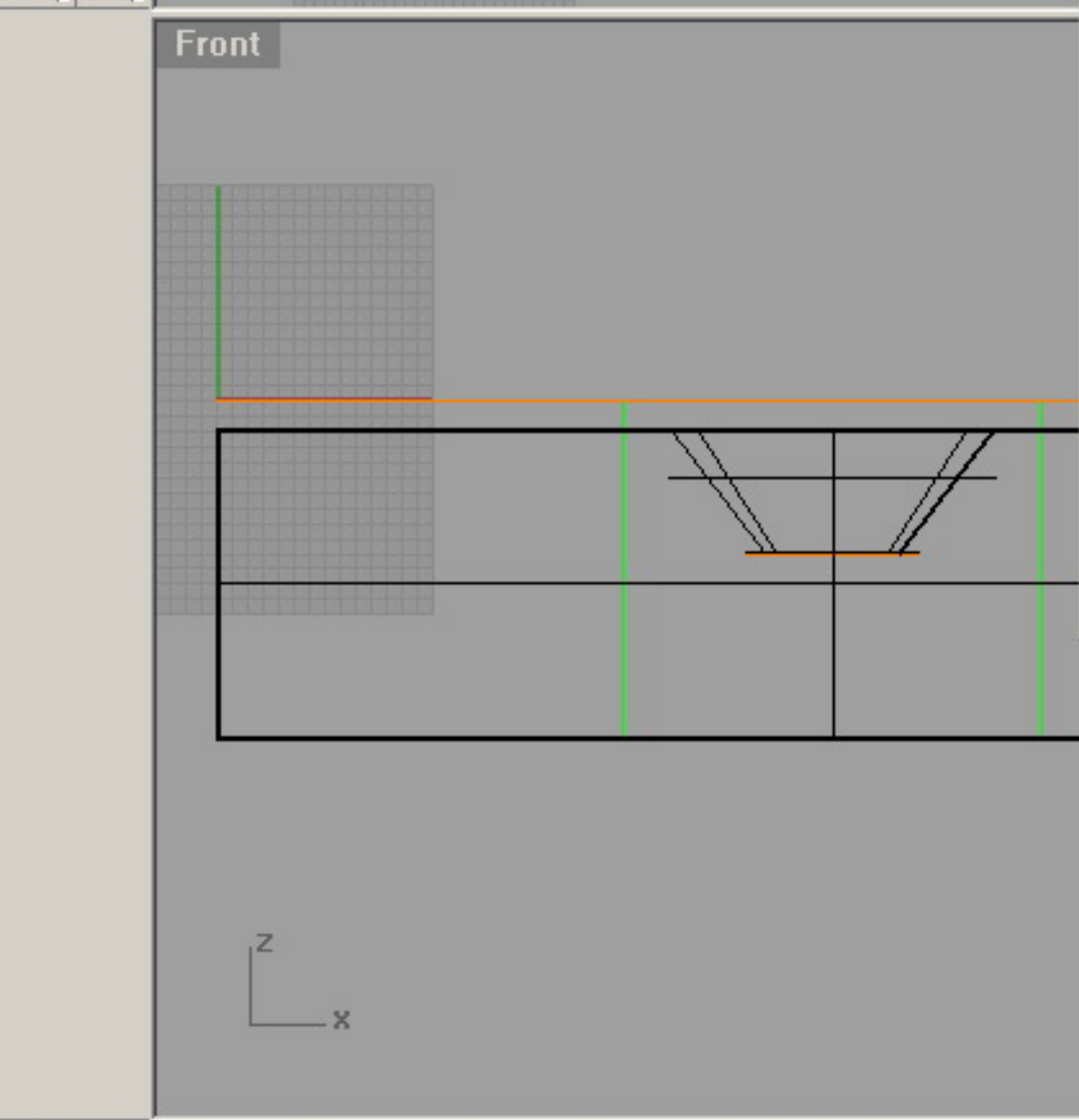
Feed X and Y	<input type="text" value="35000"/>
Feed Z	<input type="text" value="35000"/>
Spindle	<input type="text" value="15000"/>

Settings

Tool Number	<input type="text" value="2"/>
Tolerance	<input type="text" value="0.0200"/>
<input type="checkbox"/> Coolant	

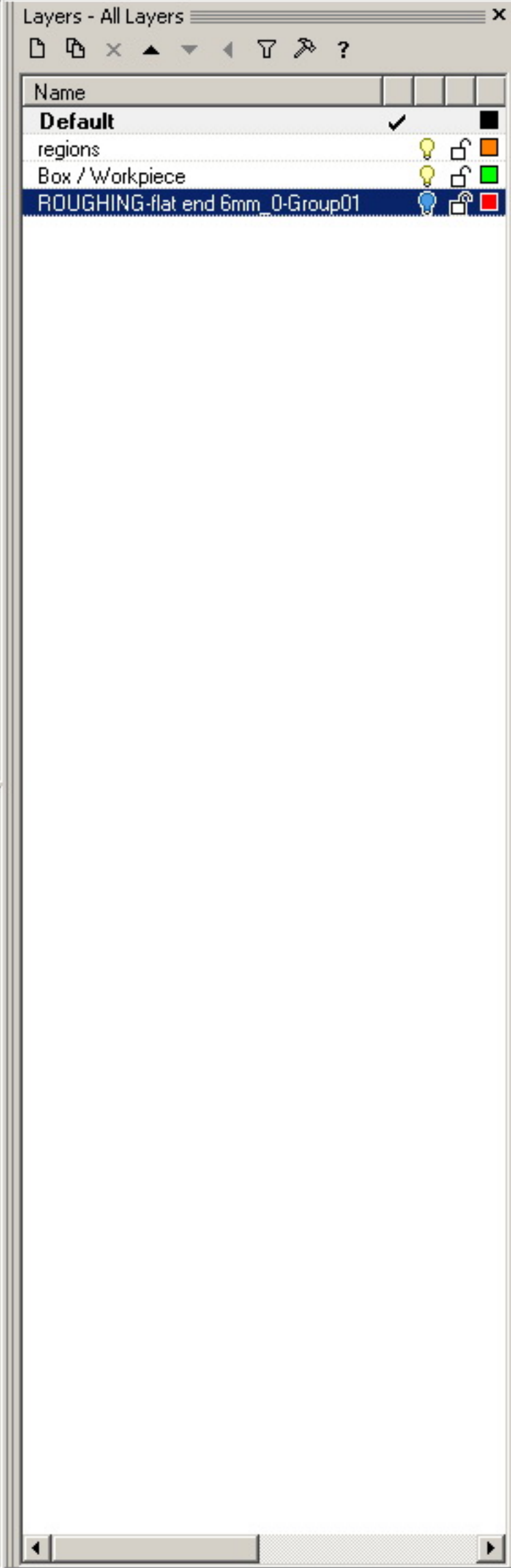
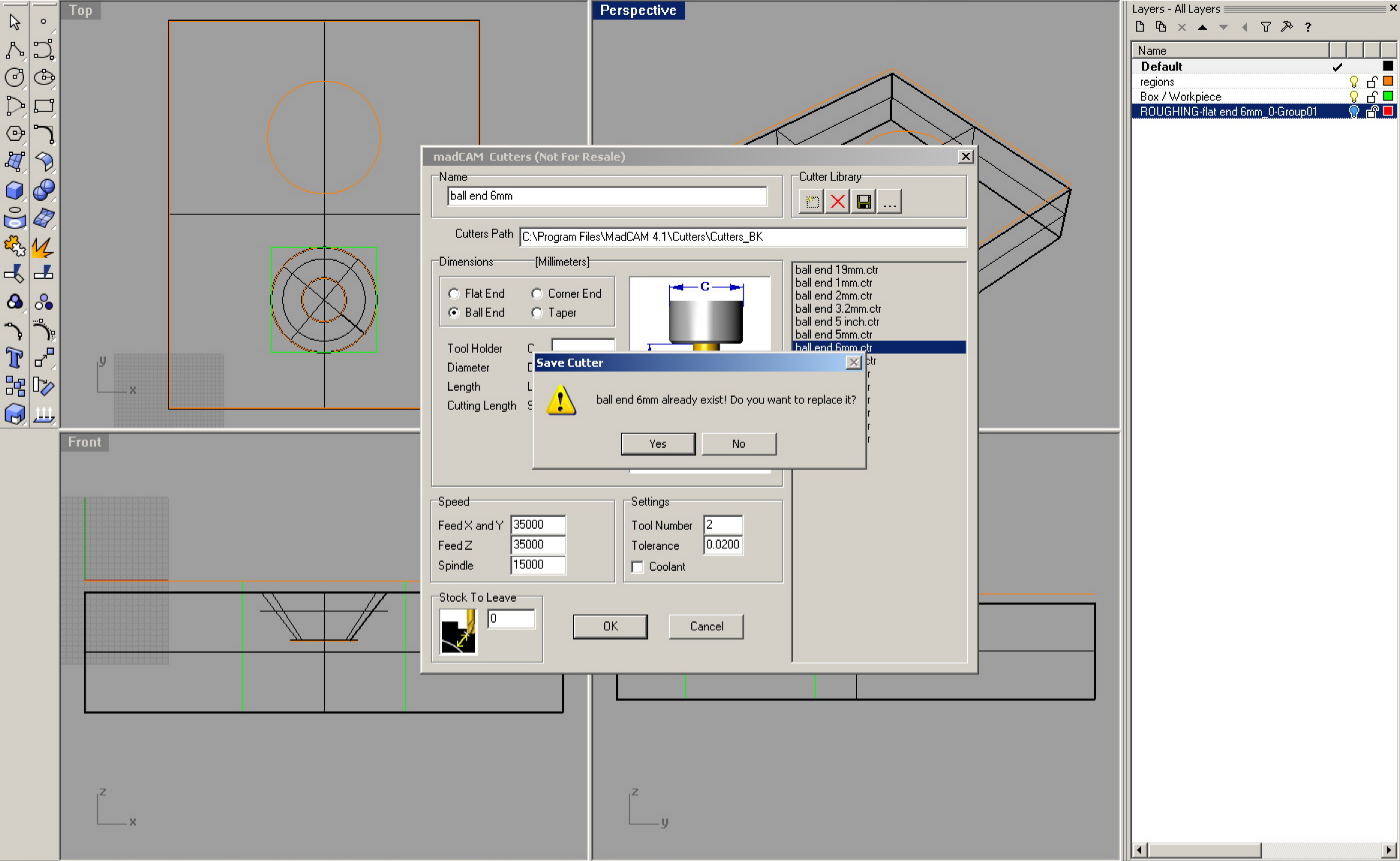
Stock To Leave:

OK    Cancel





Enter MadCAM command to execute: Cutter  
Command:



**madCAM Cutters (Not For Resale)**

Name:

Cutter Library:

Cutters Path:

Dimensions [Millimeters]

Flat End     Corner End  
 Ball End     Taper

Tool Holder:   
 Diameter:   
 Length:   
 Cutting Length:

Save Cutter

ball end 19mm.ctr  
 ball end 1mm.ctr  
 ball end 2mm.ctr  
 ball end 3.2mm.ctr  
 ball end 5 inch.ctr  
 ball end 5mm.ctr  
 ball end 6mm.ctr

Speed: Feed X and Y:   
 Feed Z:   
 Spindle:

Settings: Tool Number:   
 Tolerance:   
 Coolant

Stock To Leave:

OK    Cancel

**Save Cutter**

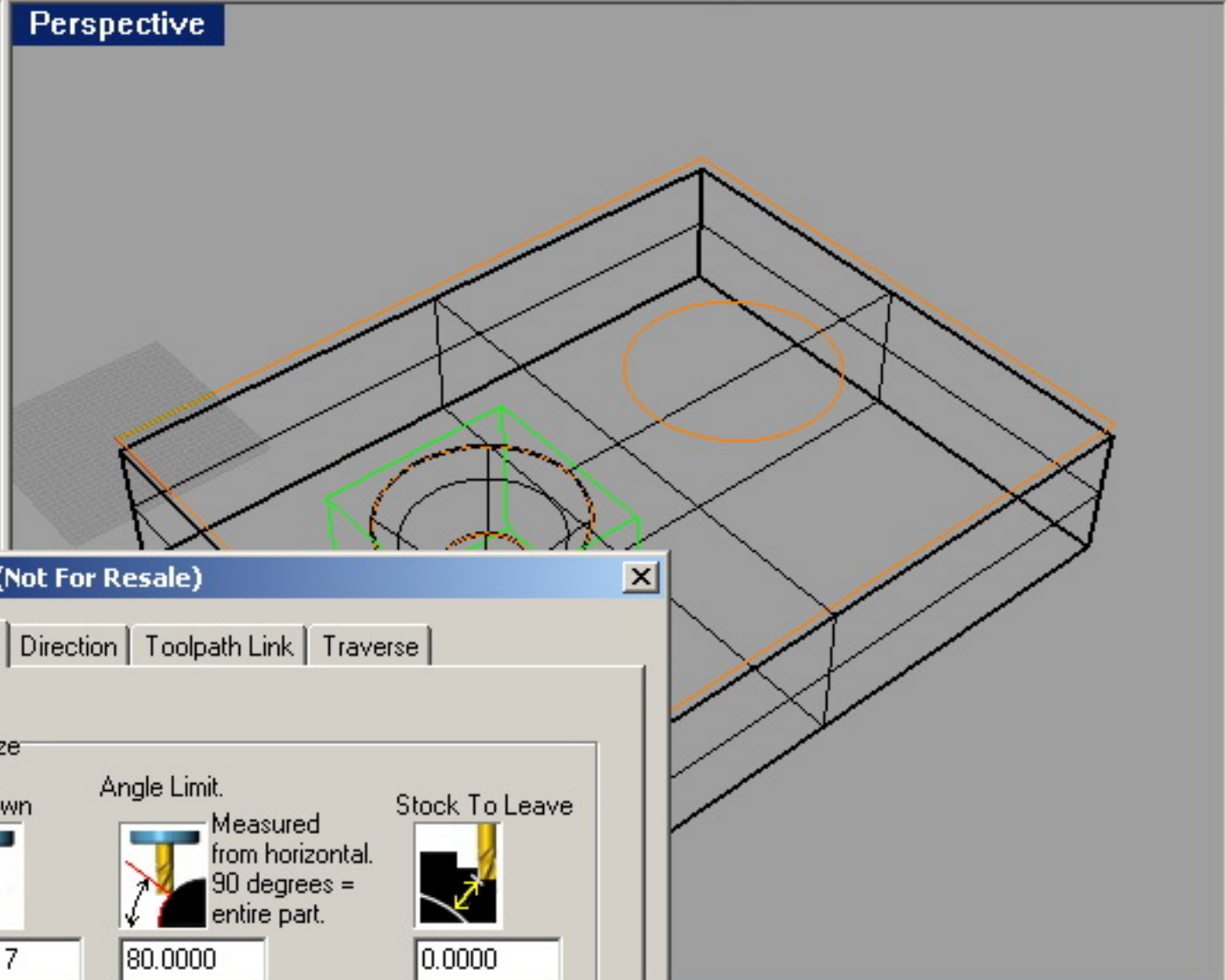
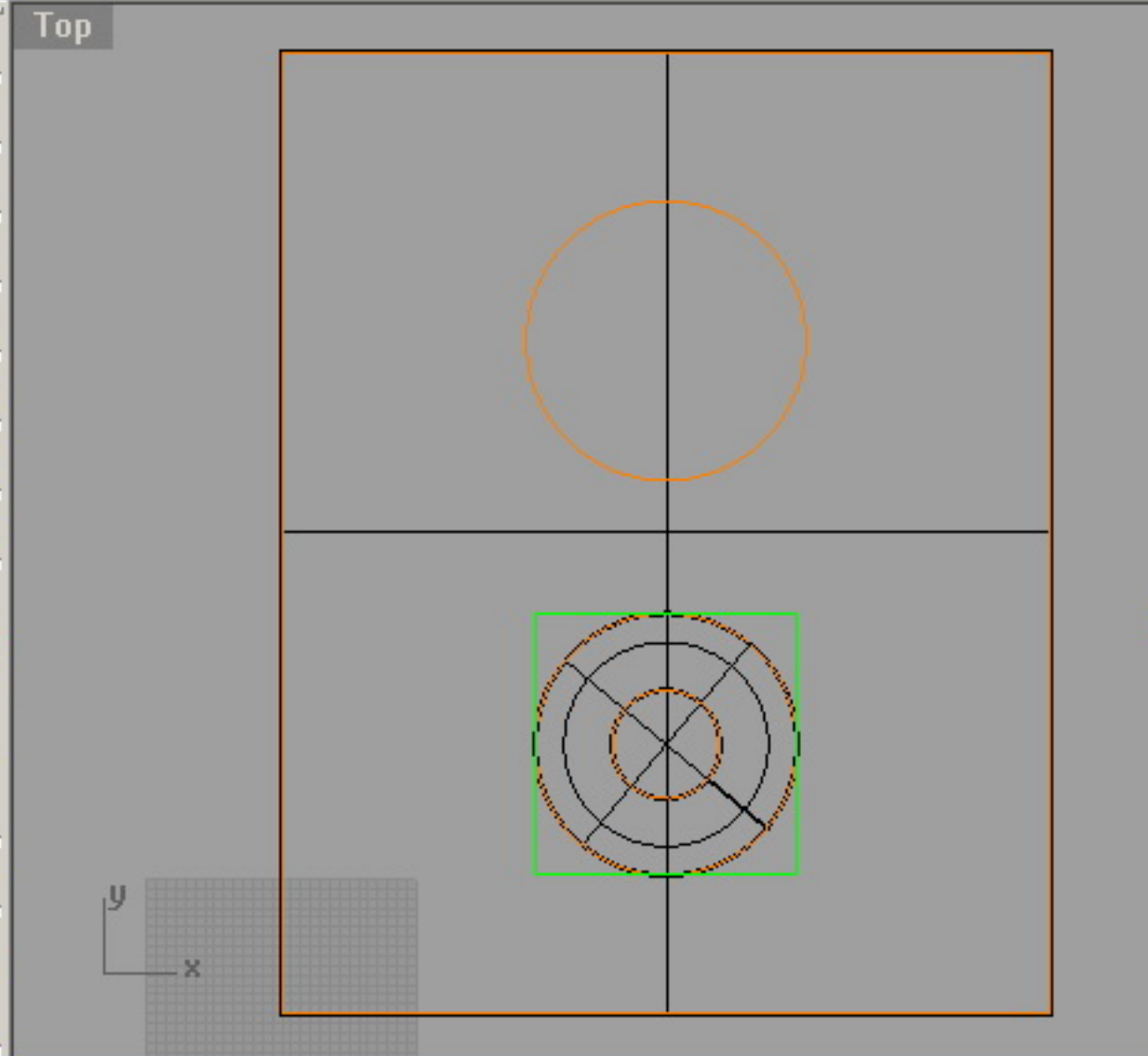
ball end 6mm already exist! Do you want to replace it?

Yes    No



Enter MadCAM command to execute: Zlevels

Command:



Layers - All Layers

Name	Color	Visibility	Lock	Freeze
Default	Black	✓		
regions	Orange	✓		
Box / Workpiece	Green	✓		
ROUGHING-flat end 6mm_0-Group01	Red	✓		

### Z Leveling (Not For Resale)

Step Size | Direction | Toolpath Link | Traverse

Step Size

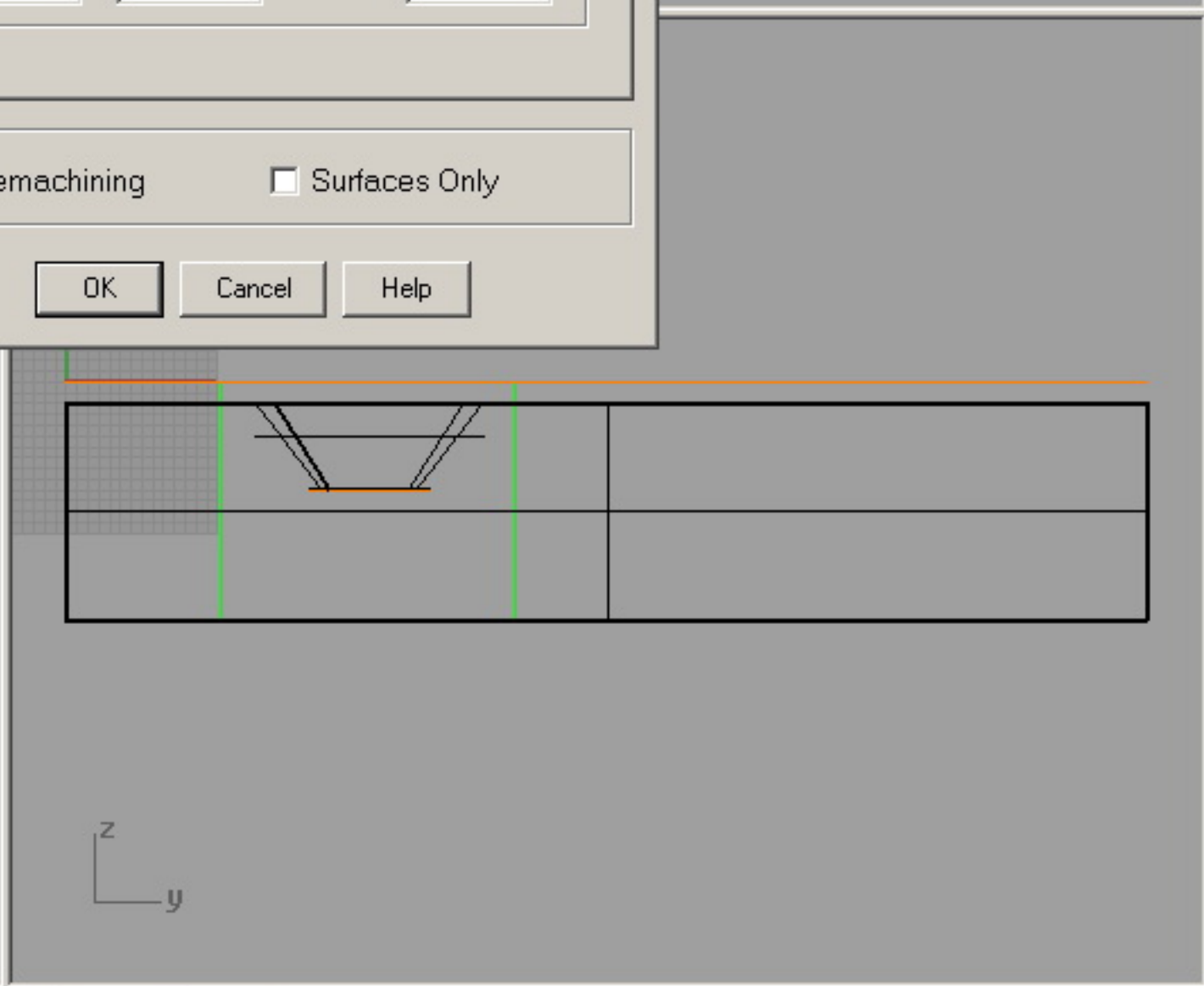
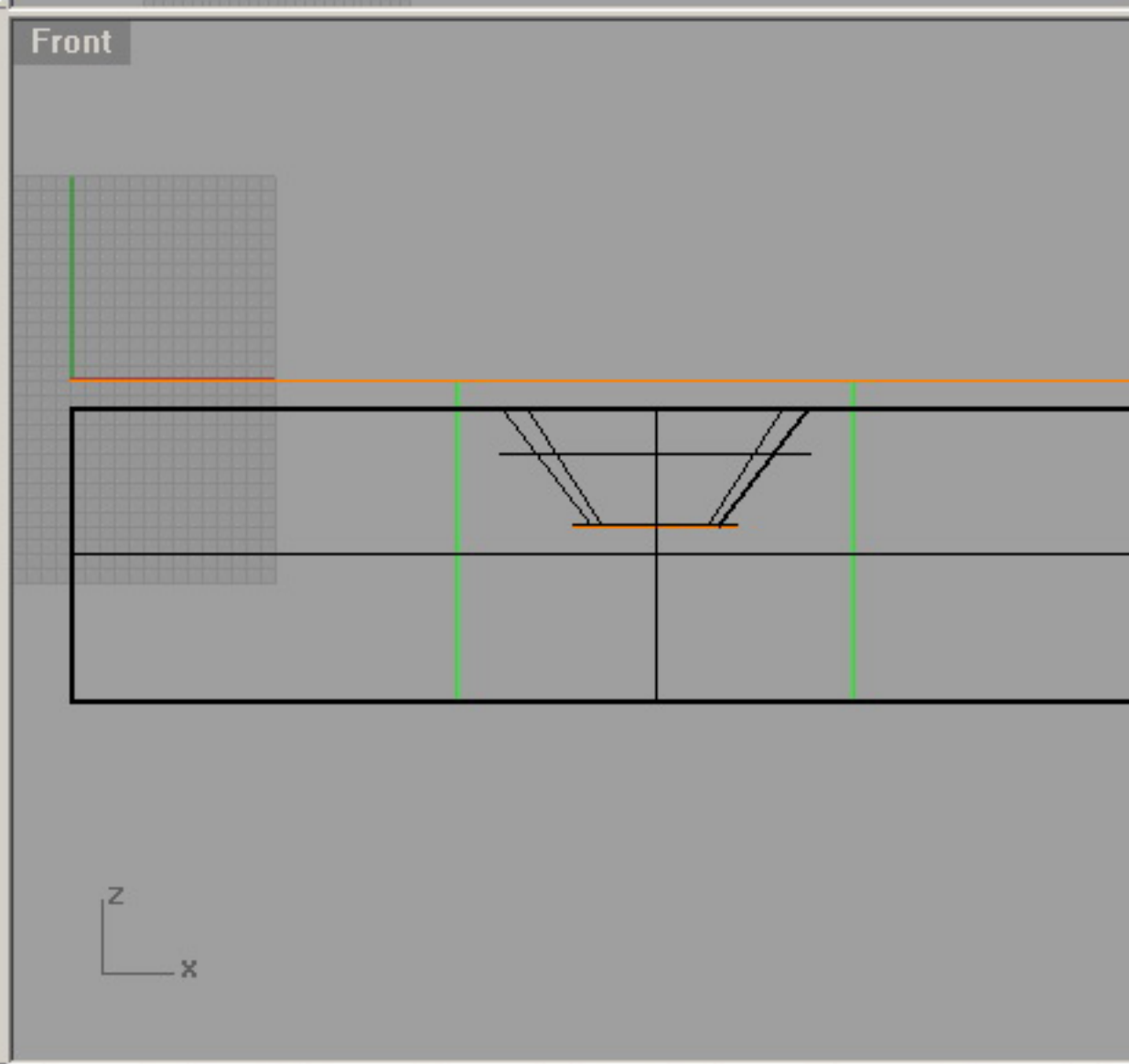
StepDown: 0.6917

Angle Limit: Measured from horizontal. 90 degrees = entire part. 80.0000

Stock To Leave: 0.0000

Remachining     Surfaces Only

OK    Cancel    Help



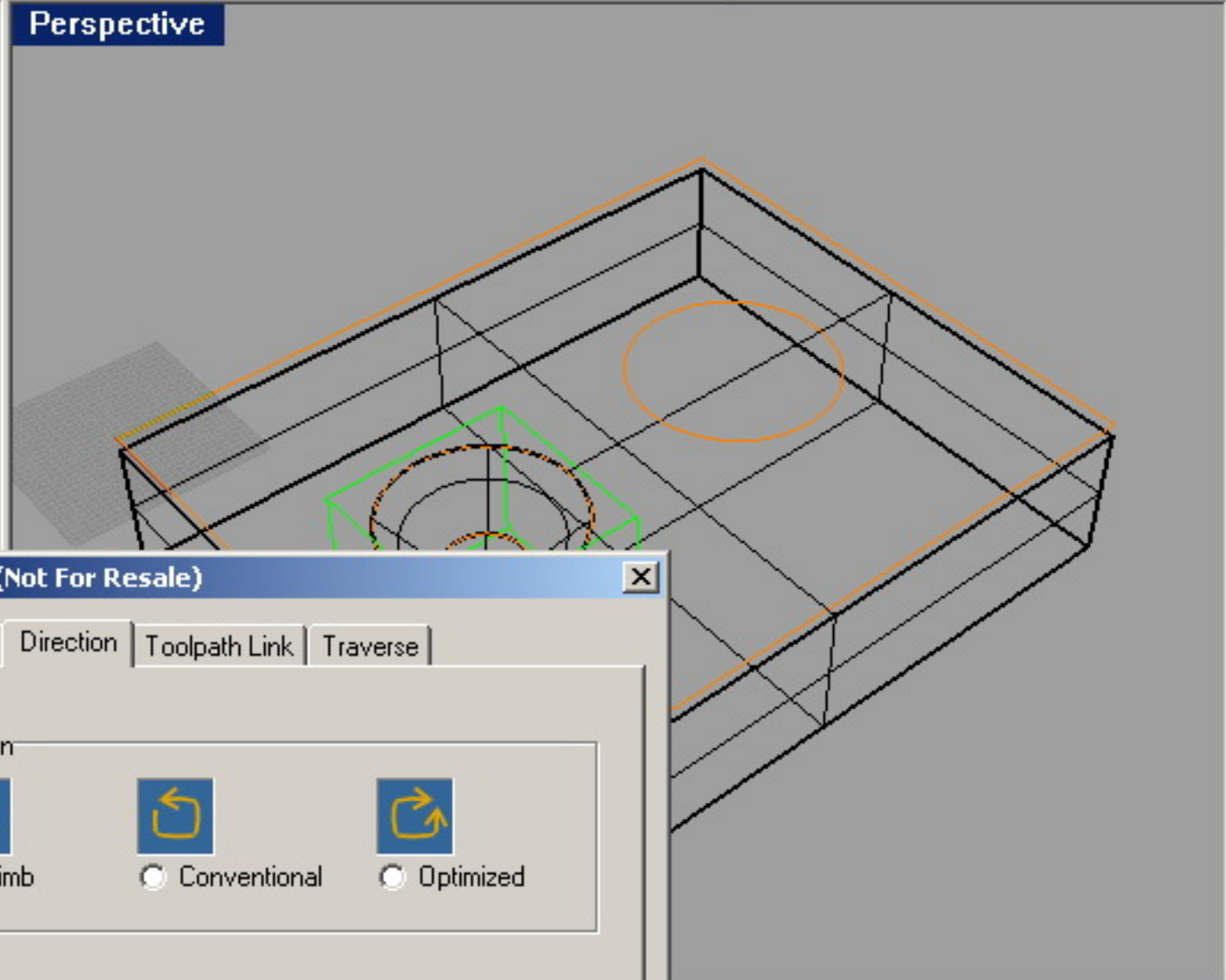
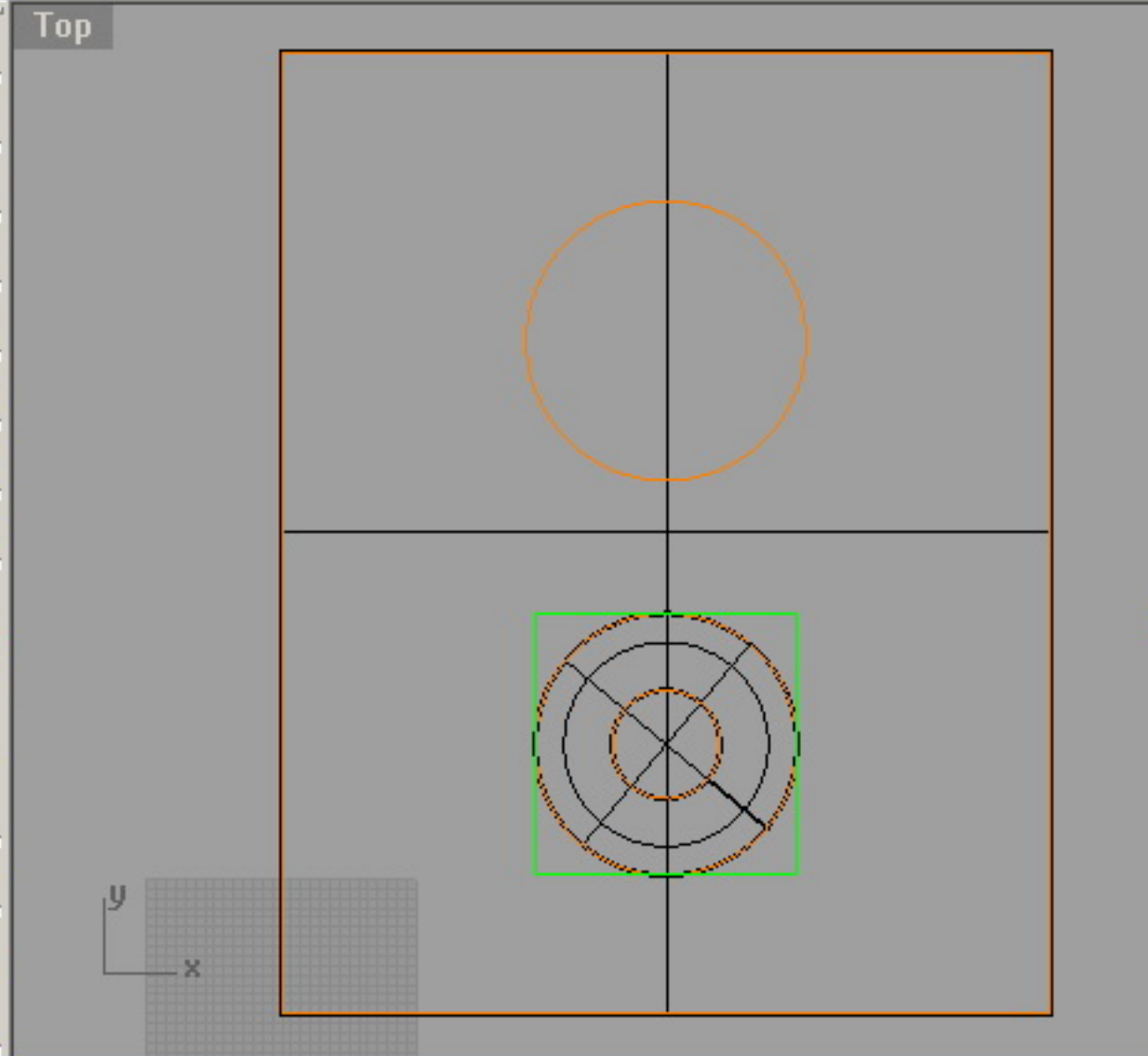
End    Near    Point    Mid    Cen    Int    Perp    Tan    Quad    Knot    Project    STrack    Disable

CPlane x 42.385   y 909.368   z 0.000   0.000    Default   Snap   Ortho   Planar   Osnap   Record History



Enter MadCAM command to execute: Zlevels

Command:



Layers - All Layers

Name	Color	Icon
Default	Black	Lightbulb
regions	Orange	Lightbulb
Box / Workpiece	Green	Lightbulb
ROUGHING-flat end 6mm_0-Group01	Red	Lightbulb

**Z Leveling (Not For Resale)**

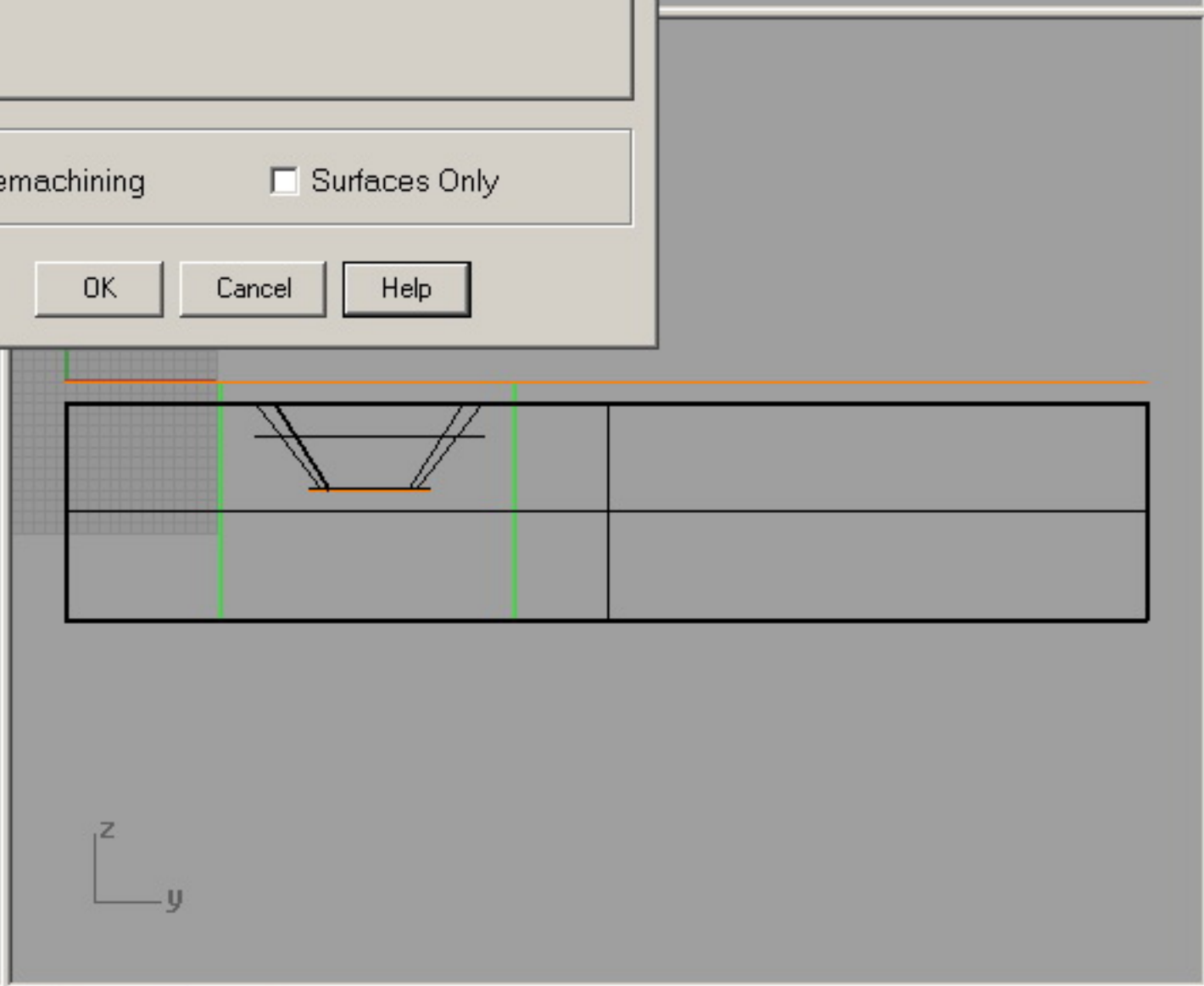
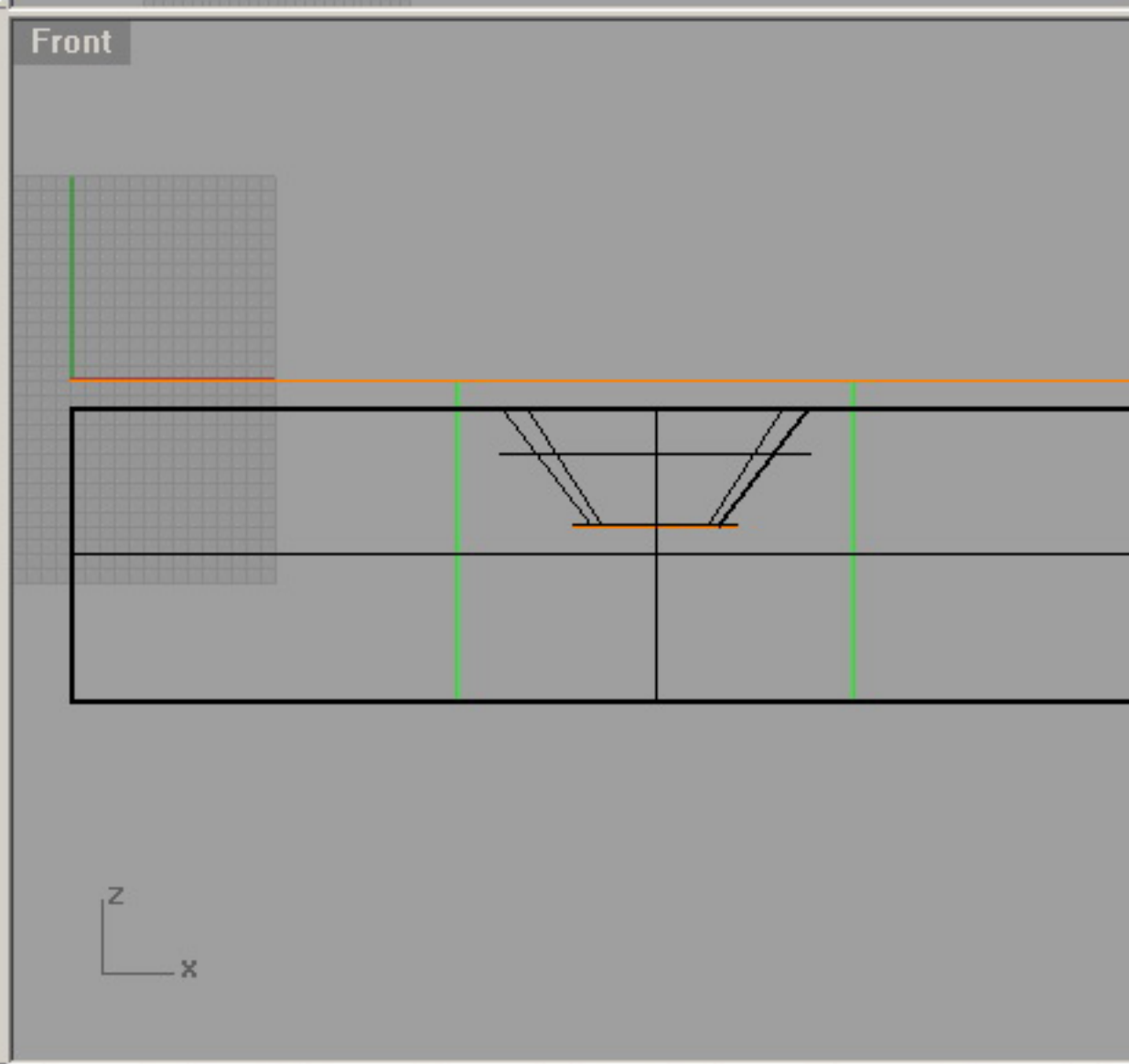
Step Size | Direction | Toolpath Link | Traverse

Direction

Climb
  Conventional
  Optimized

Remachining
  Surfaces Only

OK Cancel Help



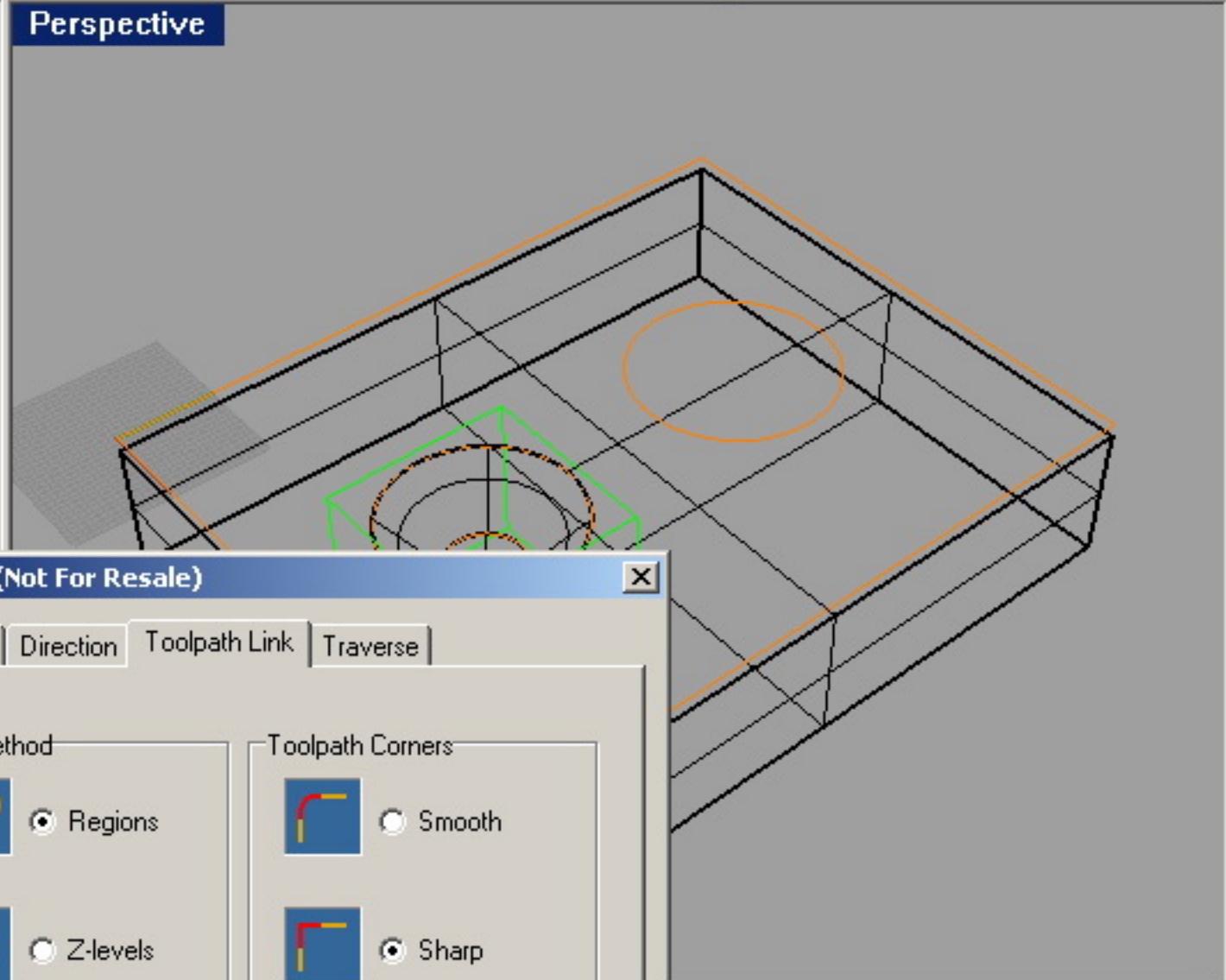
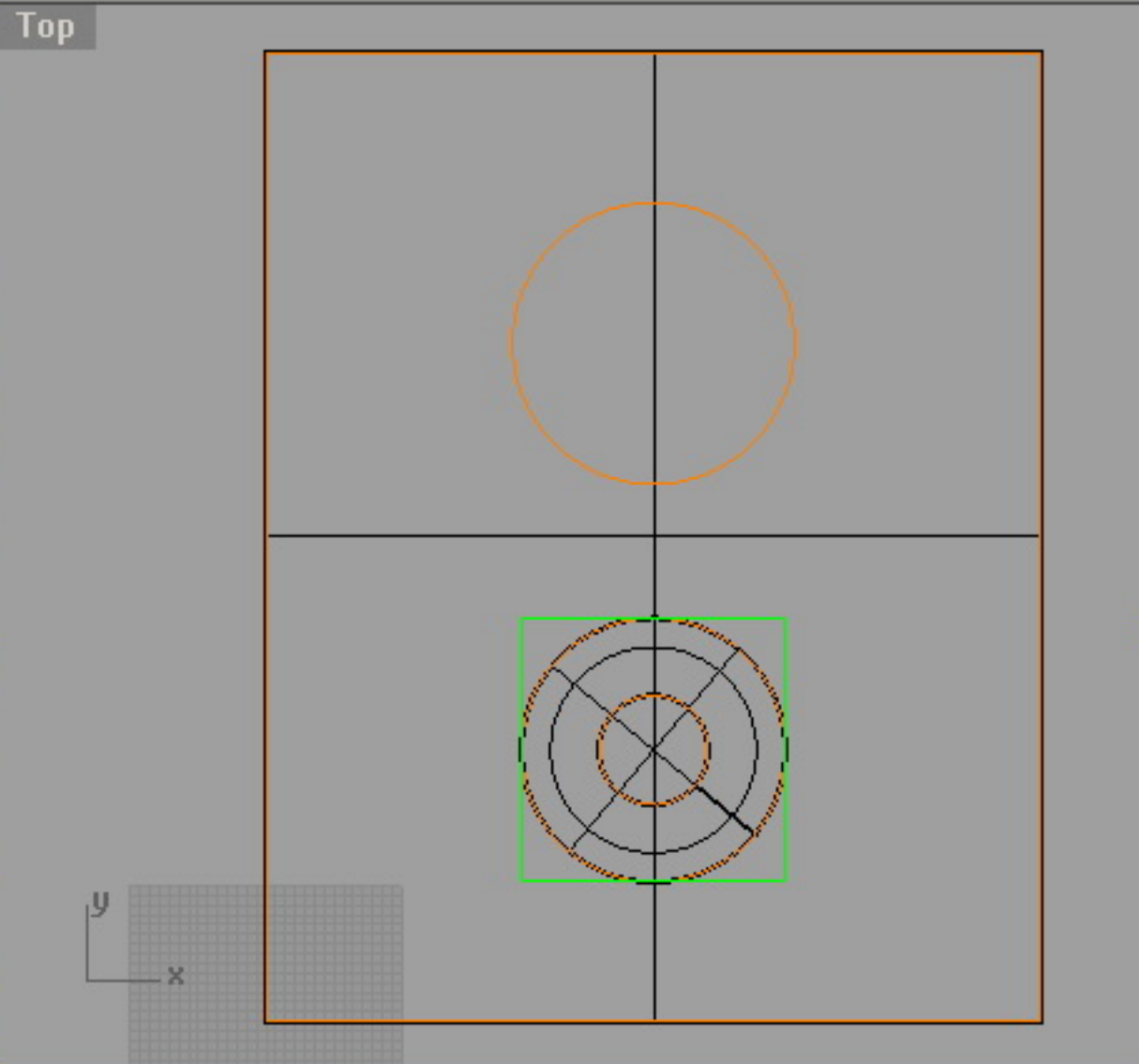
End  Near  Point  Mid  Cen  Int  Perp  Tan  Quad  Knot  Project  STrack  Disable

CPlane x -24.375 y 829.527 z 0.000 0.000 Default Snap Ortho Planar Osnap Record History



Enter MadCAM command to execute: Zlevels

Command:



Layers - All Layers

Name	Color	Icon
Default	Black	Lightbulb
regions	Orange	Lightbulb
Box / Workpiece	Green	Lightbulb
ROUGHING-flat end 6mm_0-Group01	Red	Lightbulb

### Z Leveling (Not For Resale)

Step Size | Direction | Toolpath Link | Traverse

Link Method

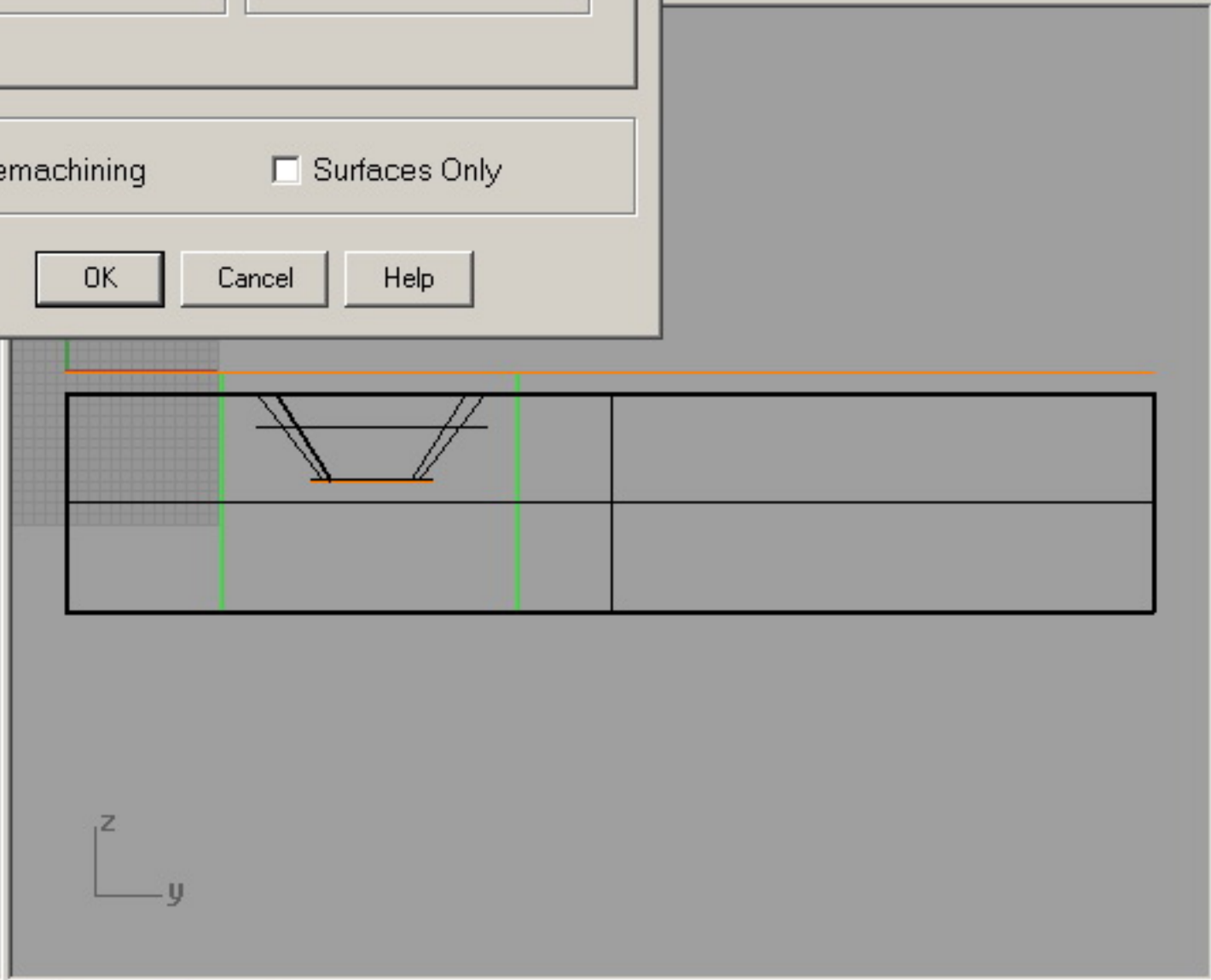
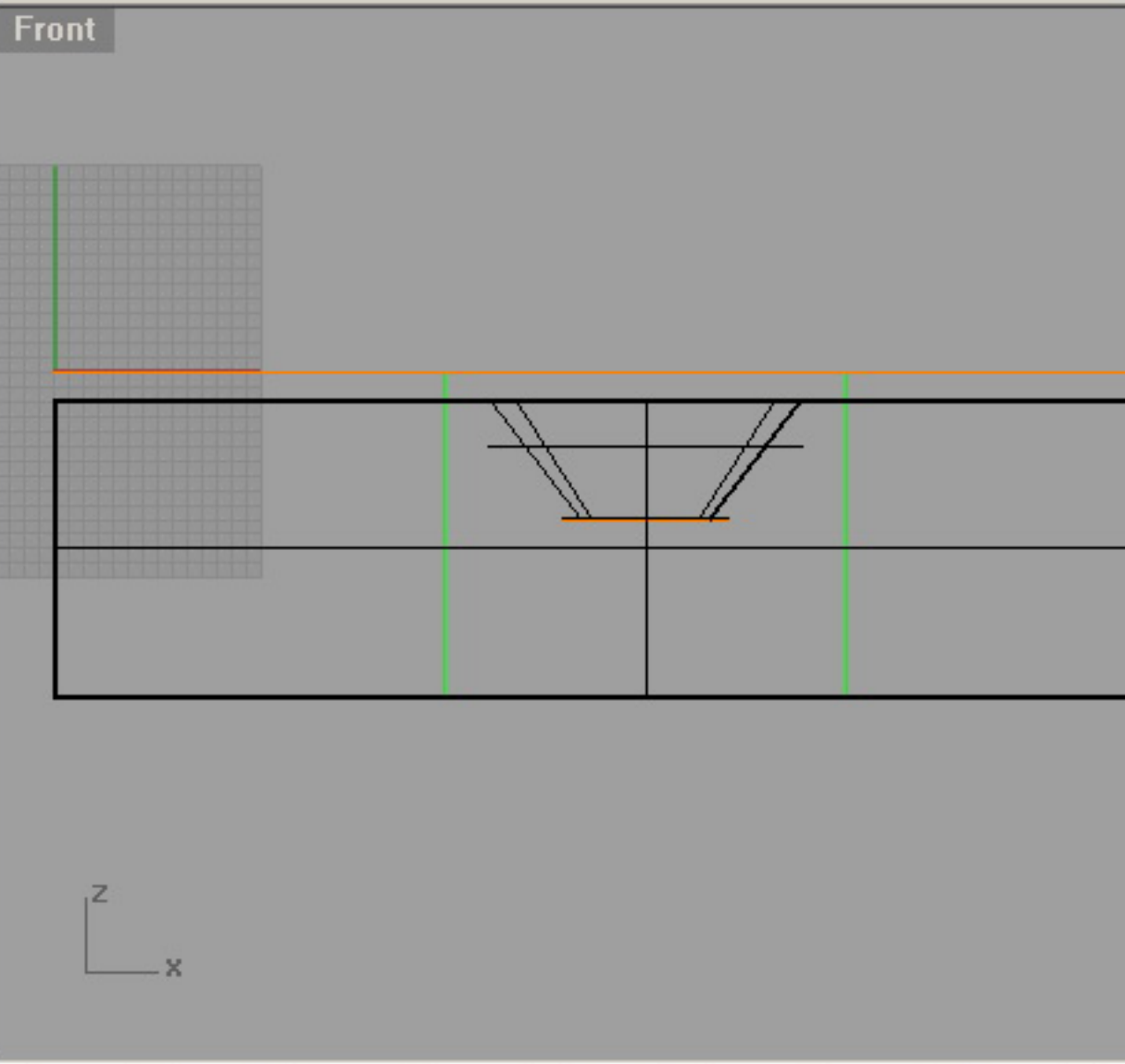
- Regions
- Z-levels

Toolpath Corners

- Smooth
- Sharp

Remachining     Surfaces Only

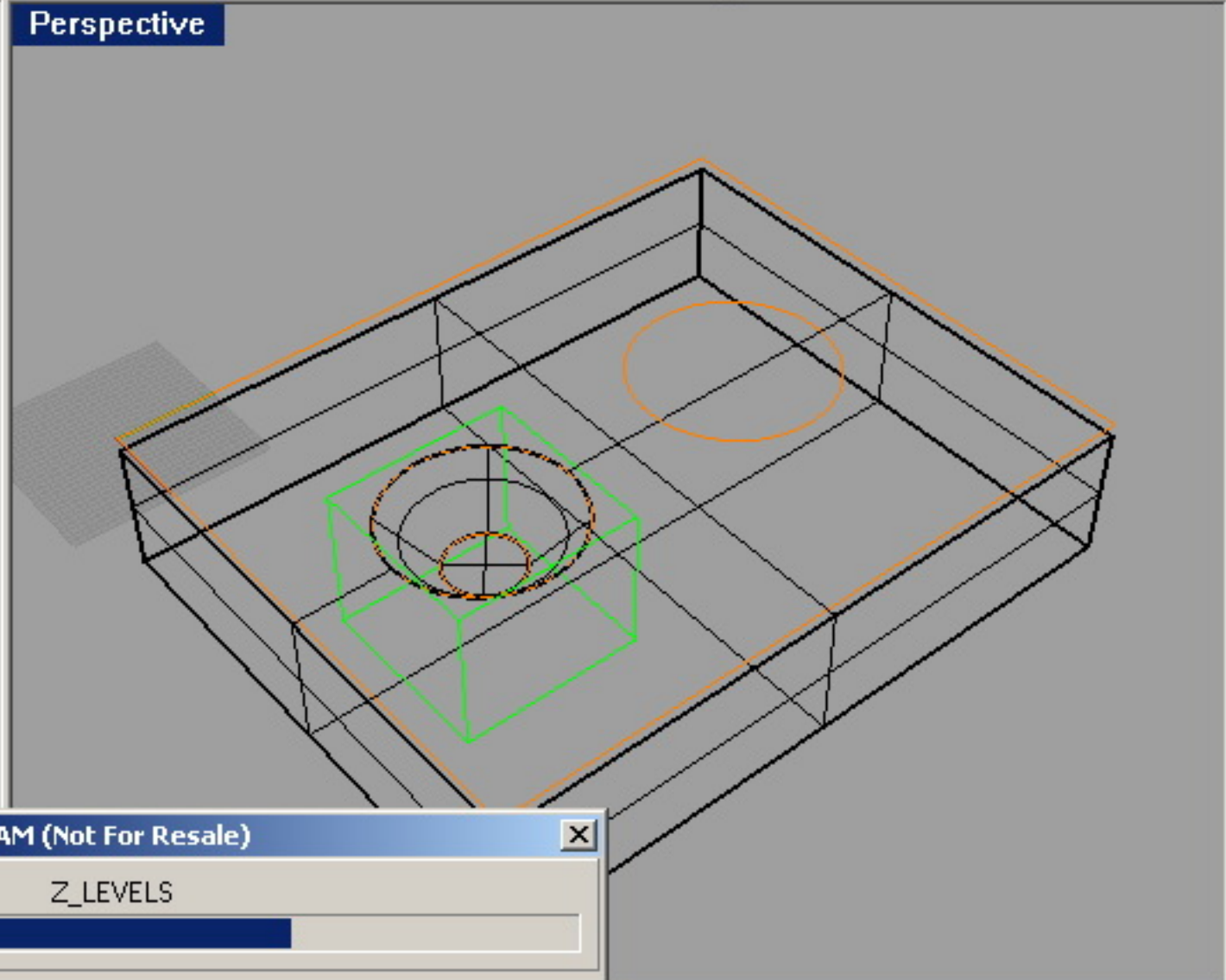
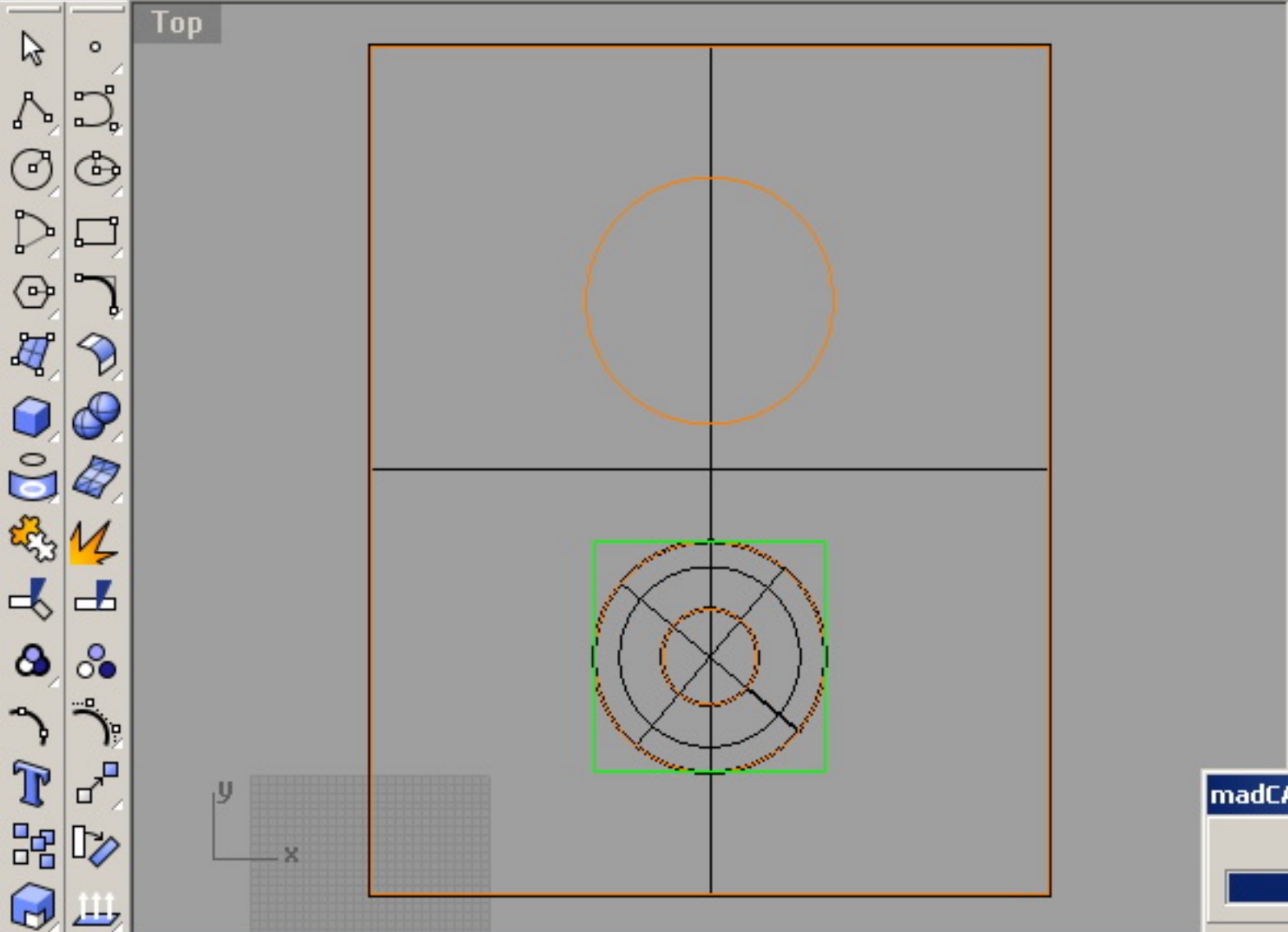
OK    Cancel    Help





Enter MadCAM command to execute: Zlevels

Command:



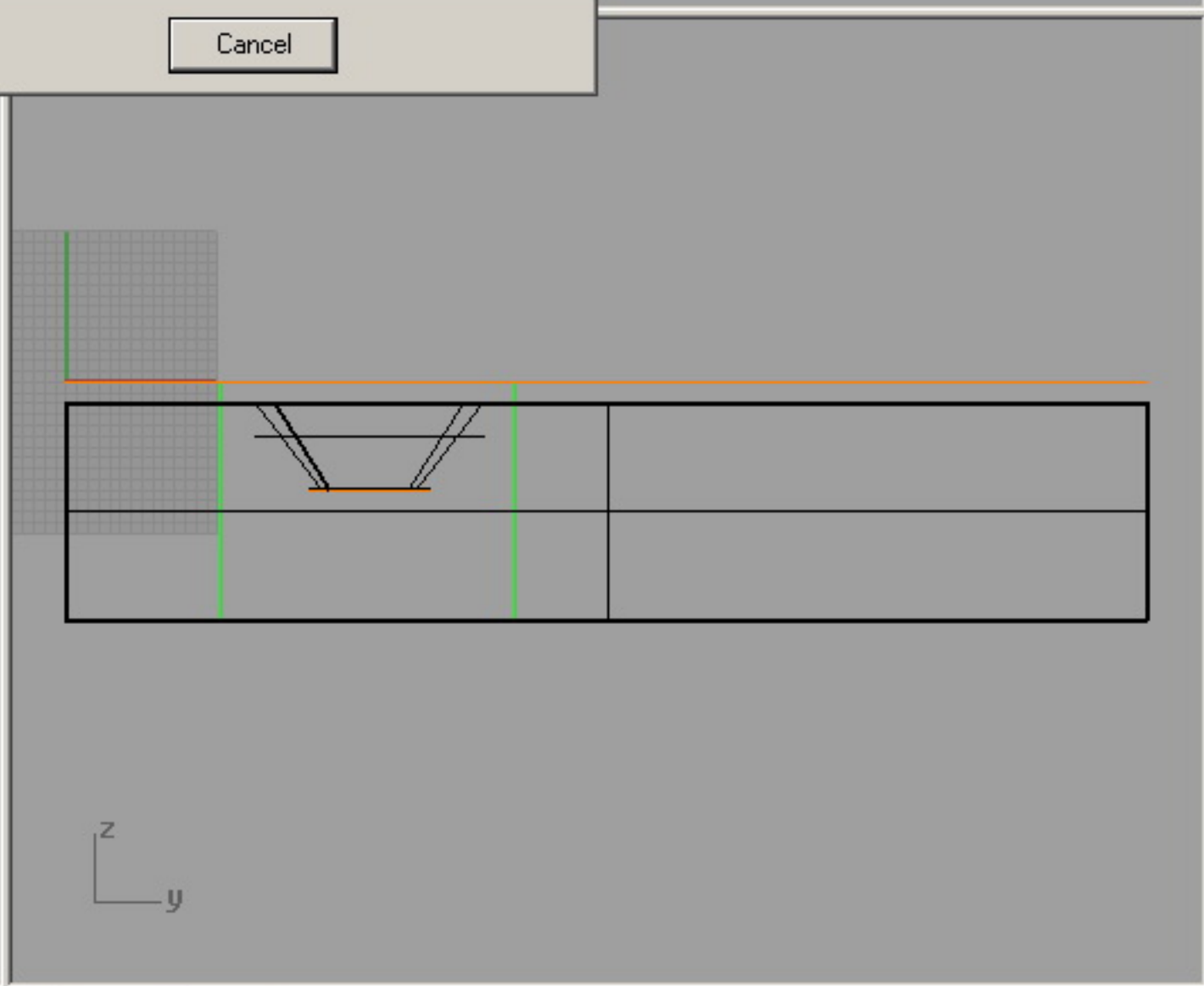
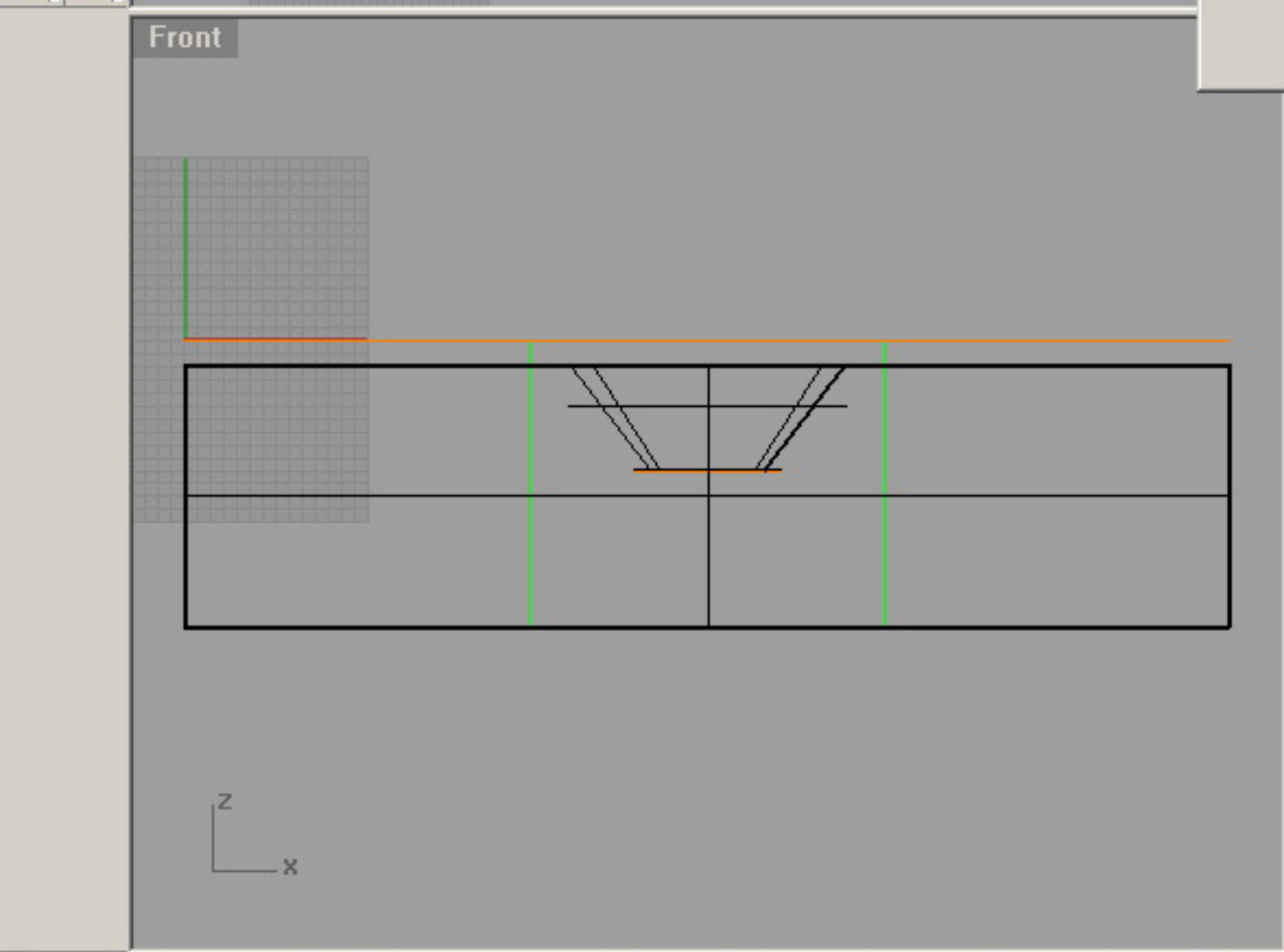
Layers - All Layers

Name	Color	Visibility	Lock
Default	Black	<input checked="" type="checkbox"/>	<input type="checkbox"/>
regions	Light Blue	<input type="checkbox"/>	<input type="checkbox"/>
Box / Workpiece	Green	<input type="checkbox"/>	<input type="checkbox"/>
ROUGHING-flat end 6mm_0-Group01	Red	<input type="checkbox"/>	<input type="checkbox"/>

madCAM (Not For Resale)

Z\_LEVELS

Cancel



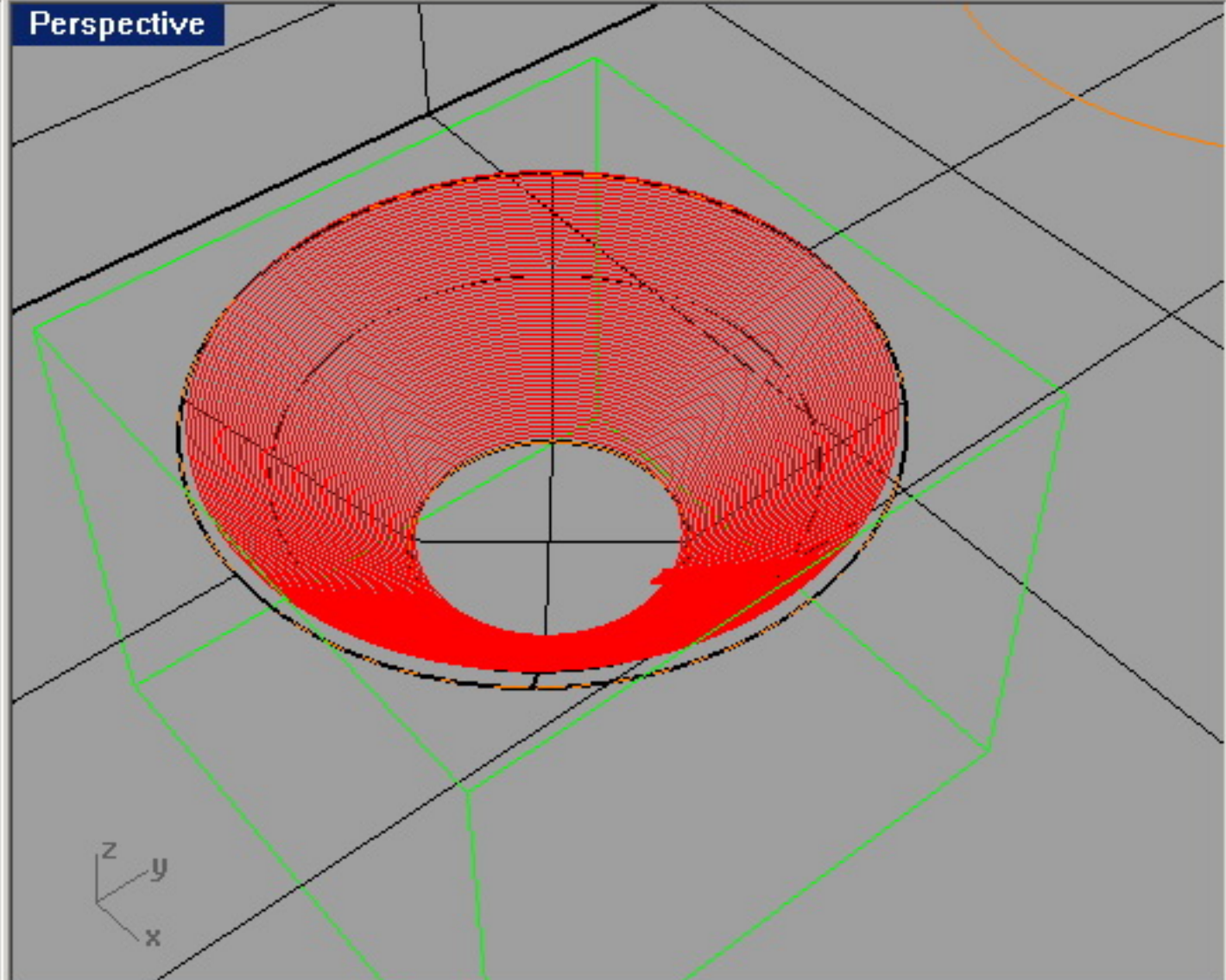
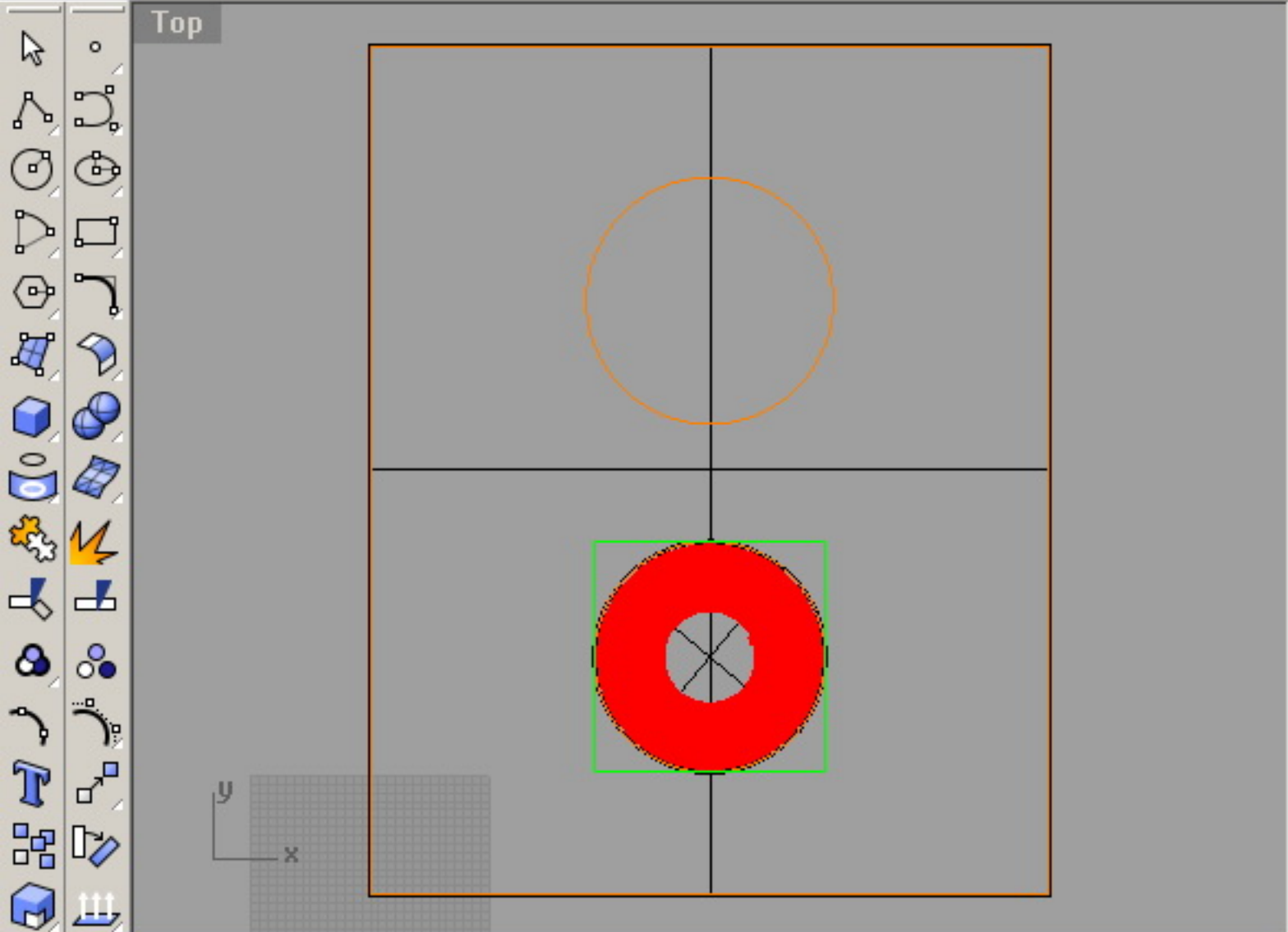
End  Near  Point  Mid  Cen  Int  Perp  Tan  Quad  Knot  Project  STrack  Disable

CPlane x -24.375 y 829.527 z 0.000 0.000 Default Snap Ortho Planar Osnap Record History



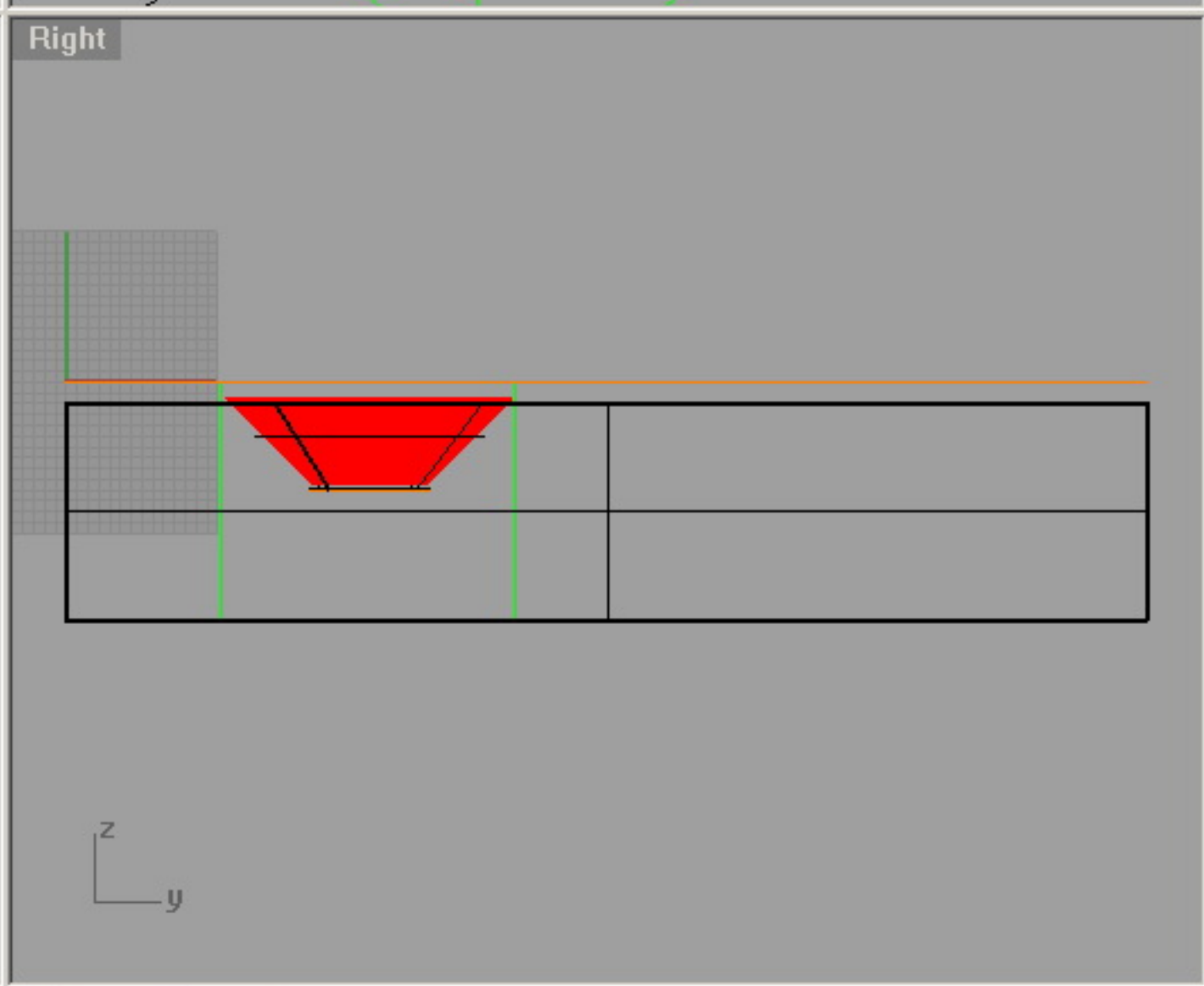
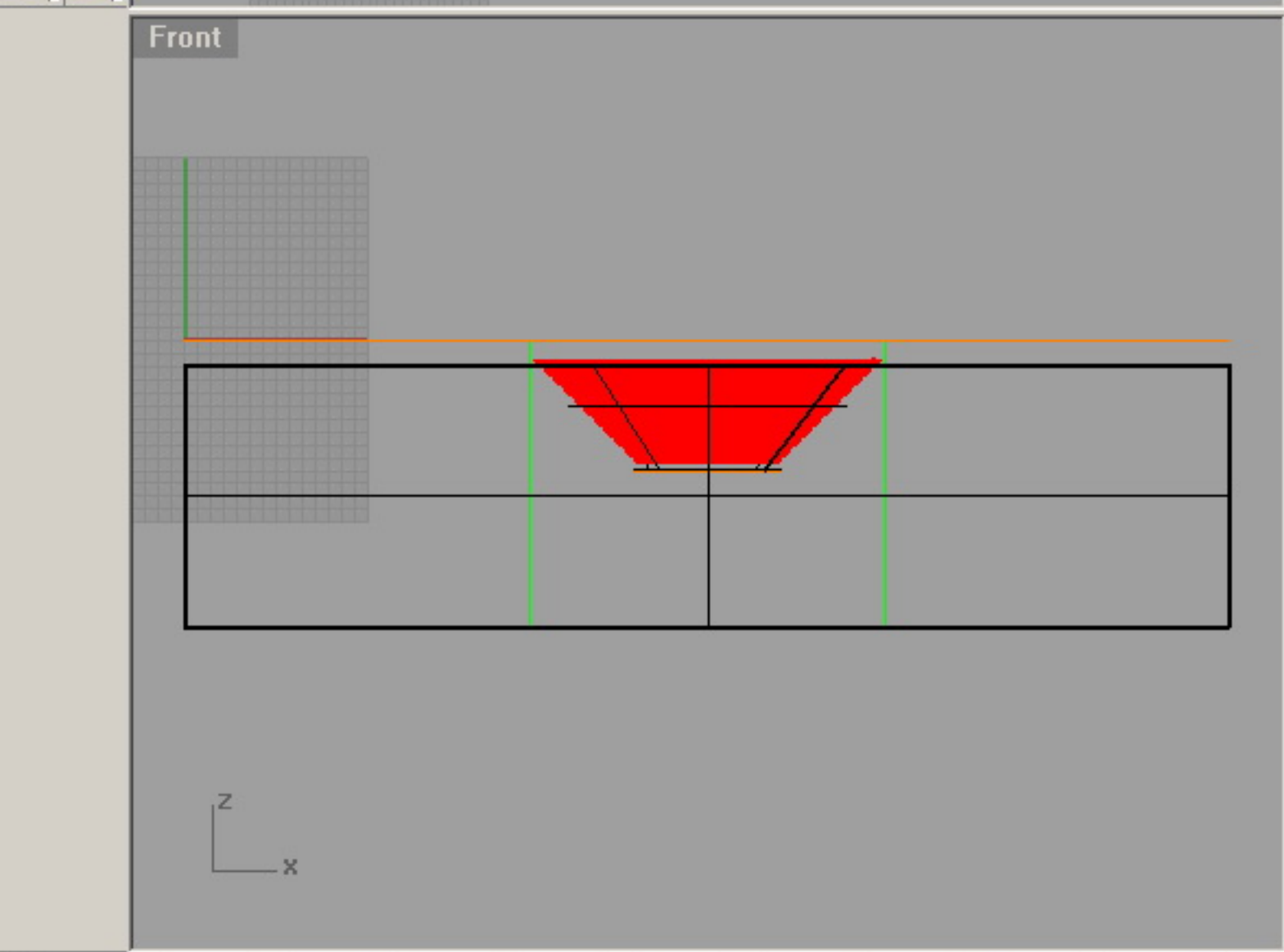
Enter MadCAM command to execute: Zlevels

Command:



Layers - All Layers

Name	Visible	Color
Default	<input checked="" type="checkbox"/>	Black
regions	<input type="checkbox"/>	Orange
Box / Workpiece	<input type="checkbox"/>	Green
ROUGHING-flat end 6mm_0-Group01	<input checked="" type="checkbox"/>	Red
Z_LEVELS-ball end 6mm_0-Group02	<input type="checkbox"/>	Red



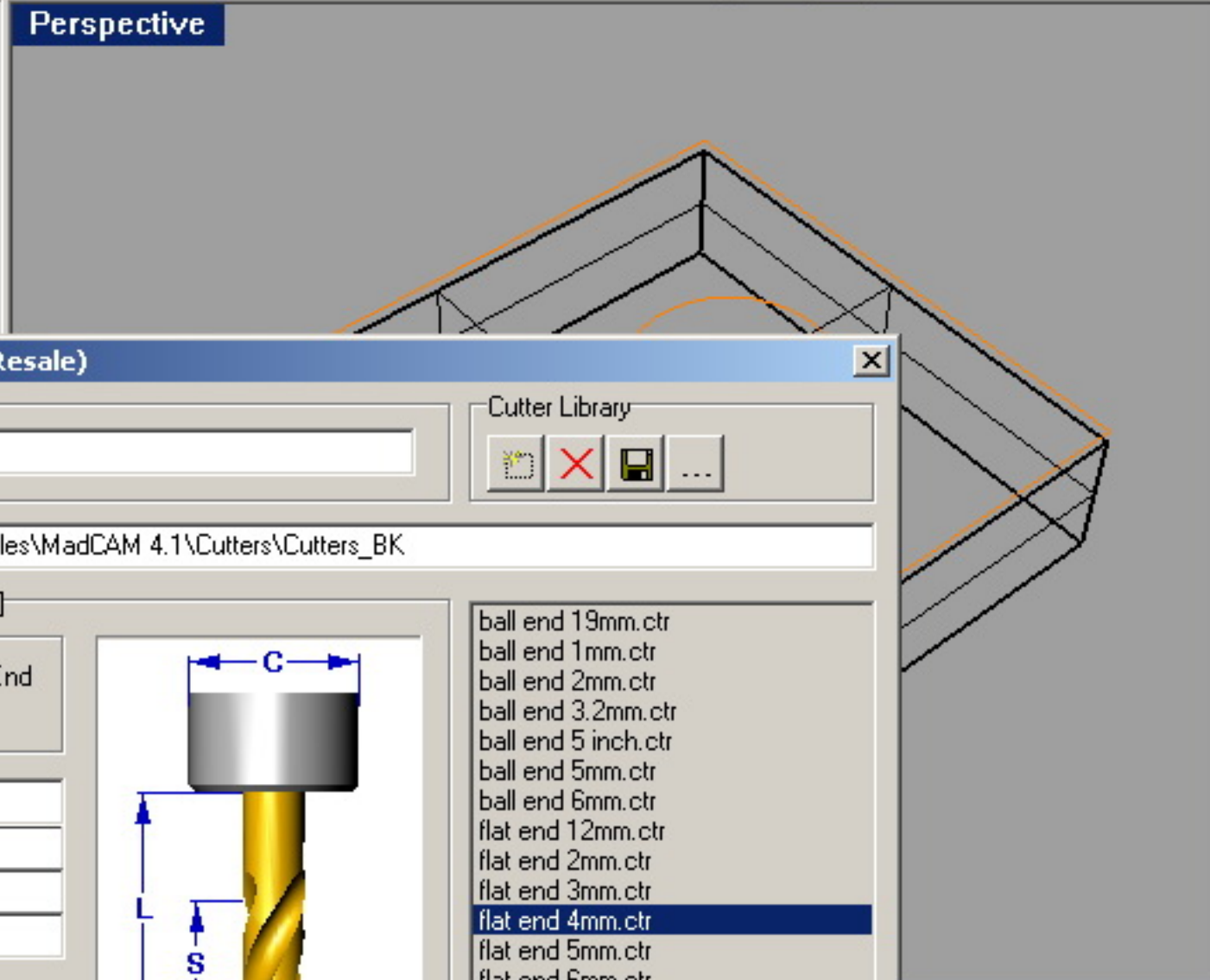
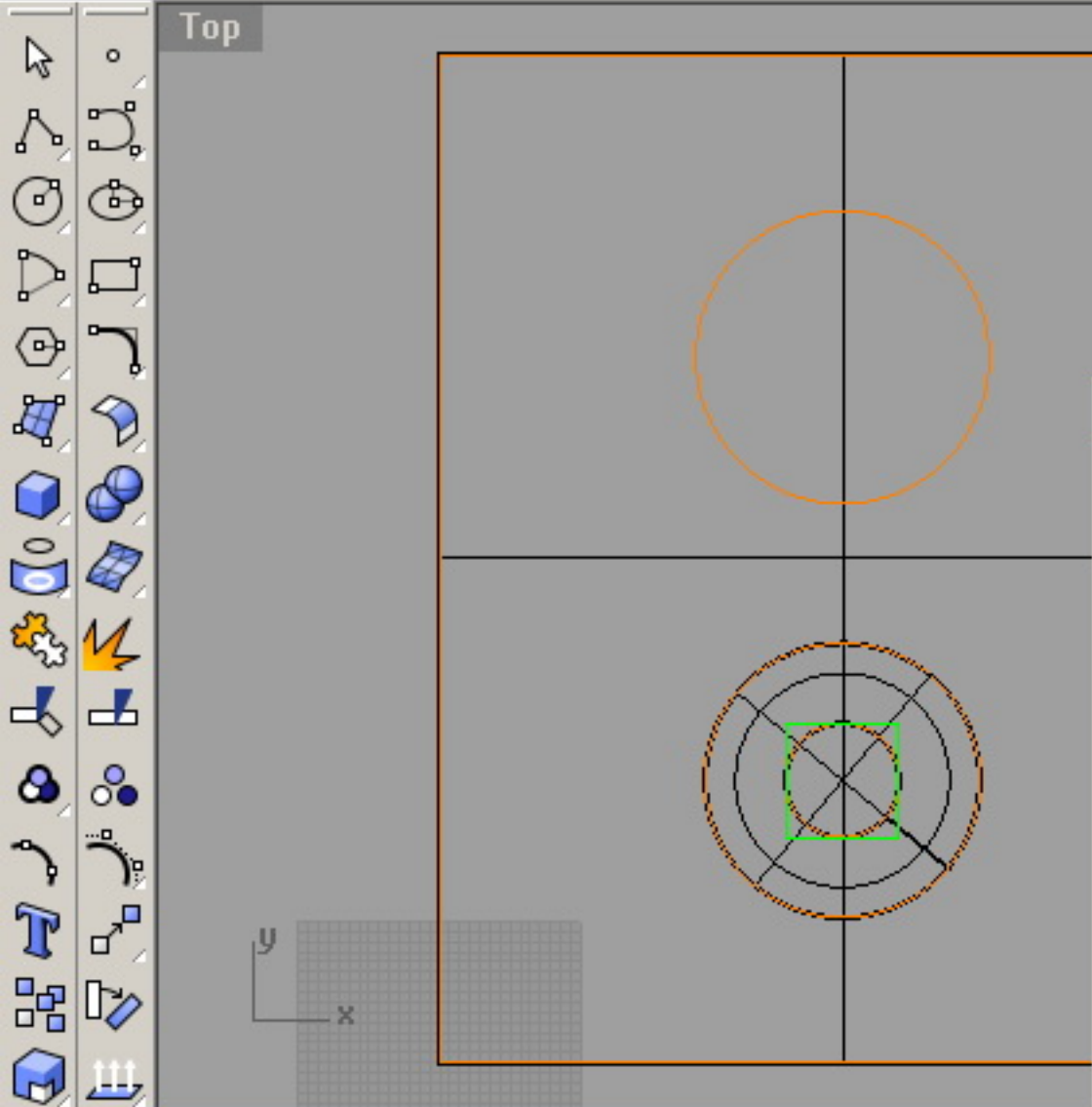
End  Near  Point  Mid  Cen  Int  Perp  Tan  Quad  Knot  Project  STrack  Disable

CPlane x 320.845 y 112.727 z 0.000 0.000 Default Snap Ortho Planar Osnap Record History



Enter MadCAM command to execute: Cutter

Command:



Layers - All Layers

Name	Color	Icon
Default	Black	Lightbulb
regions	Orange	Lightbulb
Box / Workpiece	Green	Lightbulb
ROUGHING-flat end 6mm_0-Group01	Blue	Lightbulb
Z_LEVELS-ball end 6mm_0-Group02	Red	Lightbulb

### madCAM Cutters (Not For Resale)

Name: flat end 4mm

Cutter Library: [Icons]

Cutters Path: C:\Program Files\MadCAM 4.1\Cutters\Cutters\_BK

Dimensions [Millimeters]

Flat End     Corner End  
 Ball End     Taper

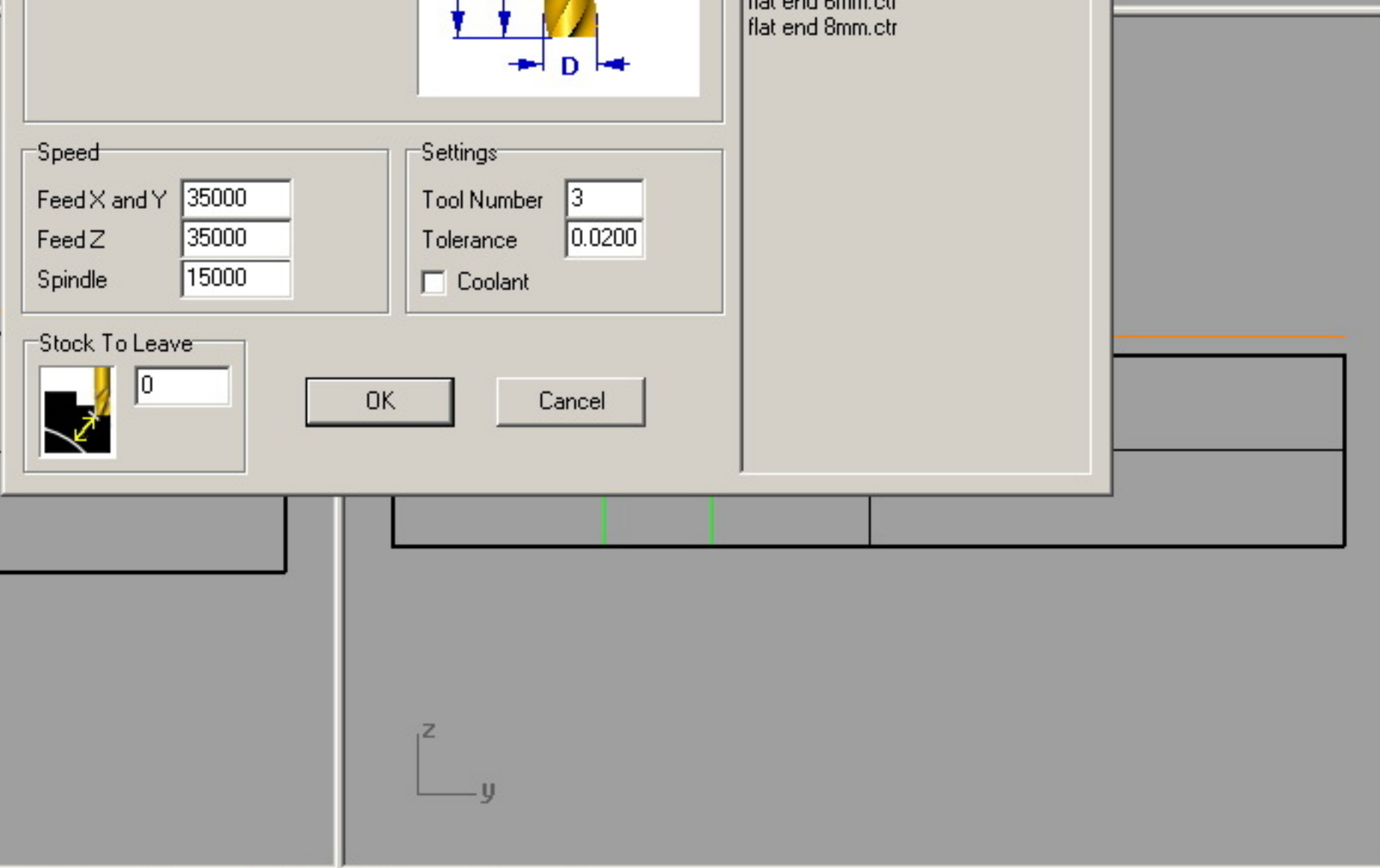
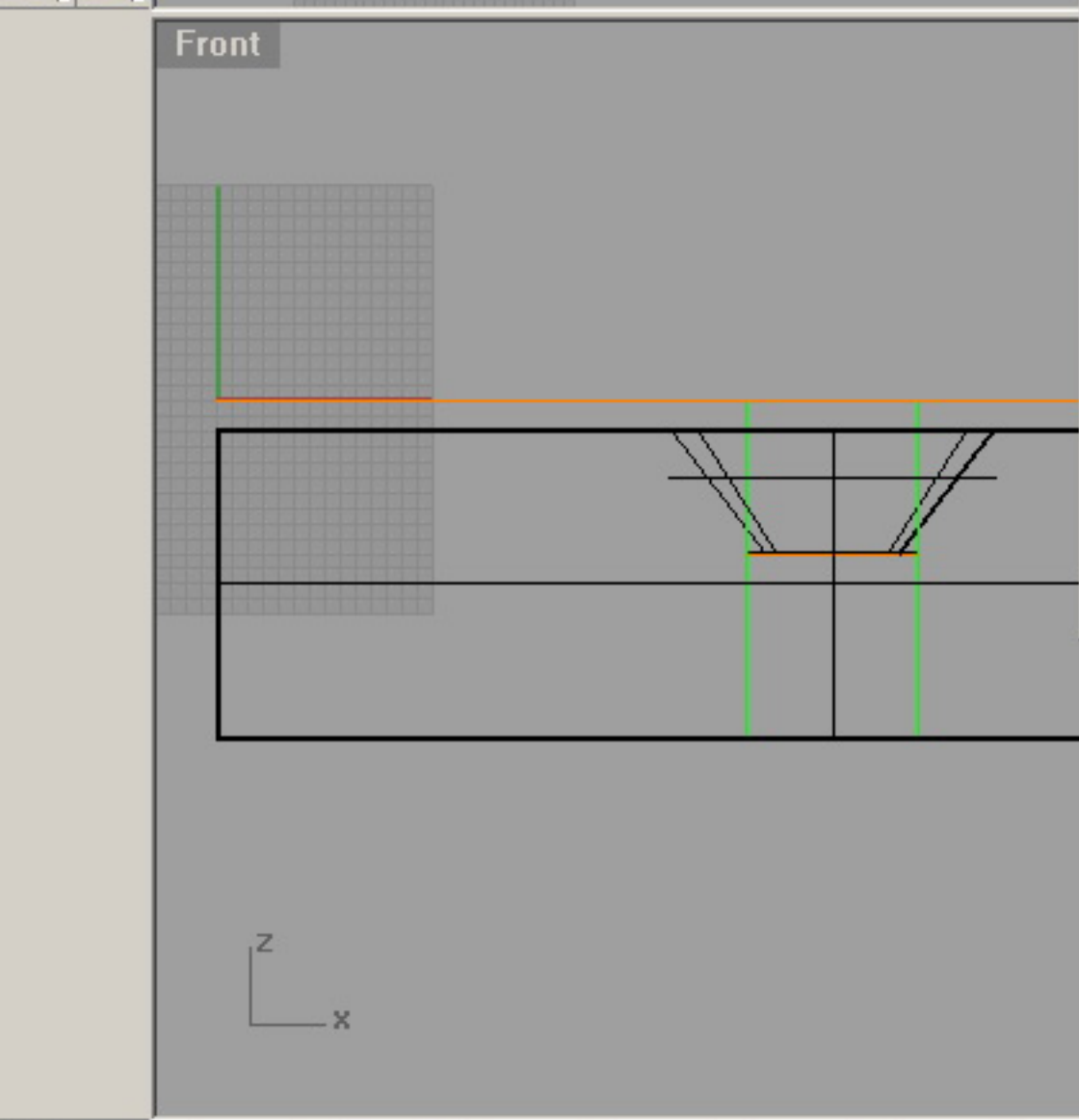
Tool Holder C: [ ]  
 Diameter D: 4  
 Length L: 40  
 Cutting Length S: 15

ball end 19mm.ctr  
 ball end 1mm.ctr  
 ball end 2mm.ctr  
 ball end 3.2mm.ctr  
 ball end 5 inch.ctr  
 ball end 5mm.ctr  
 ball end 6mm.ctr  
 flat end 12mm.ctr  
 flat end 2mm.ctr  
 flat end 3mm.ctr  
**flat end 4mm.ctr**  
 flat end 5mm.ctr  
 flat end 6mm.ctr  
 flat end 8mm.ctr

Speed: Feed X and Y: 35000, Feed Z: 35000, Spindle: 15000  
 Settings: Tool Number: 3, Tolerance: 0.0200,  Coolant

Stock To Leave: [Icon] 0

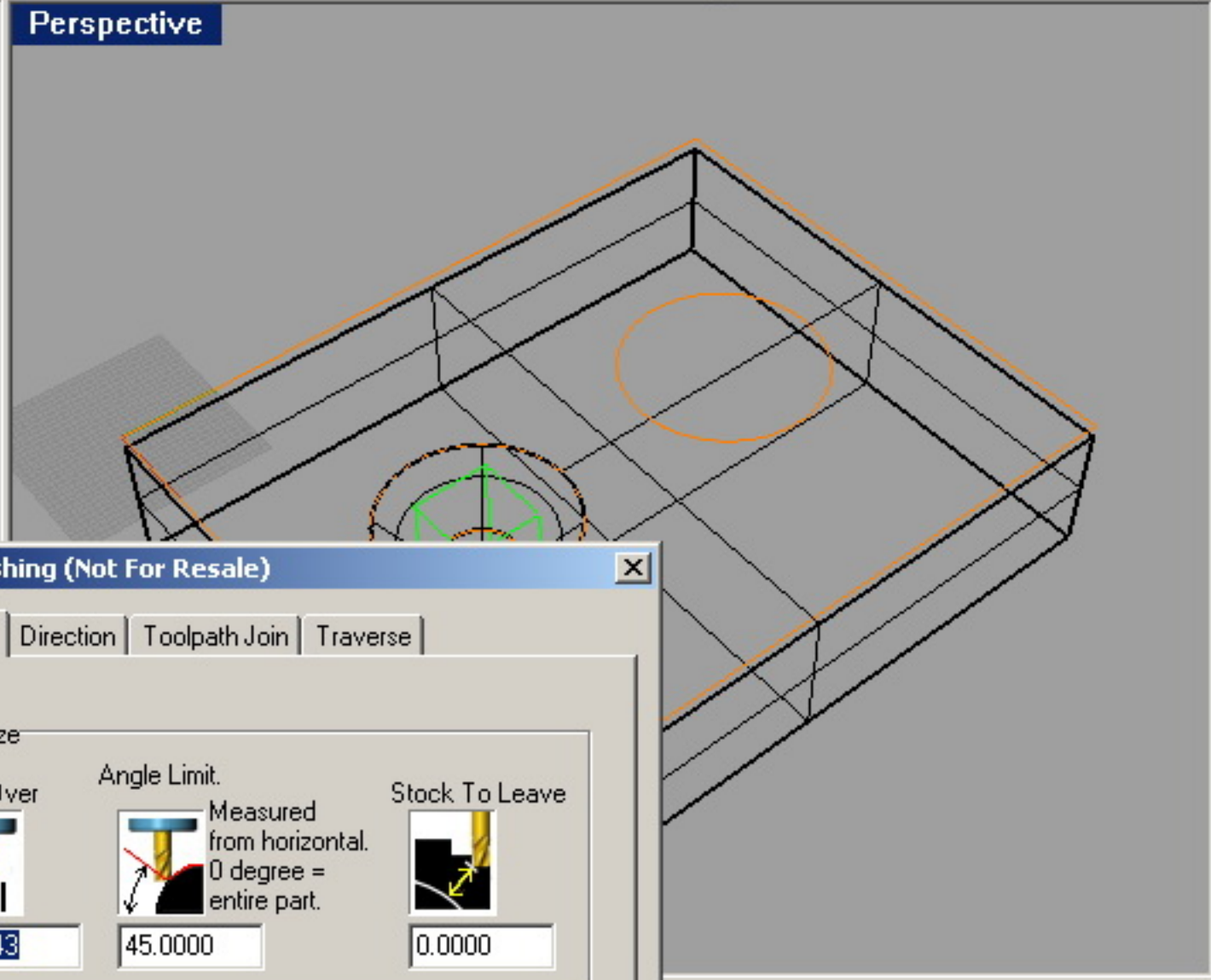
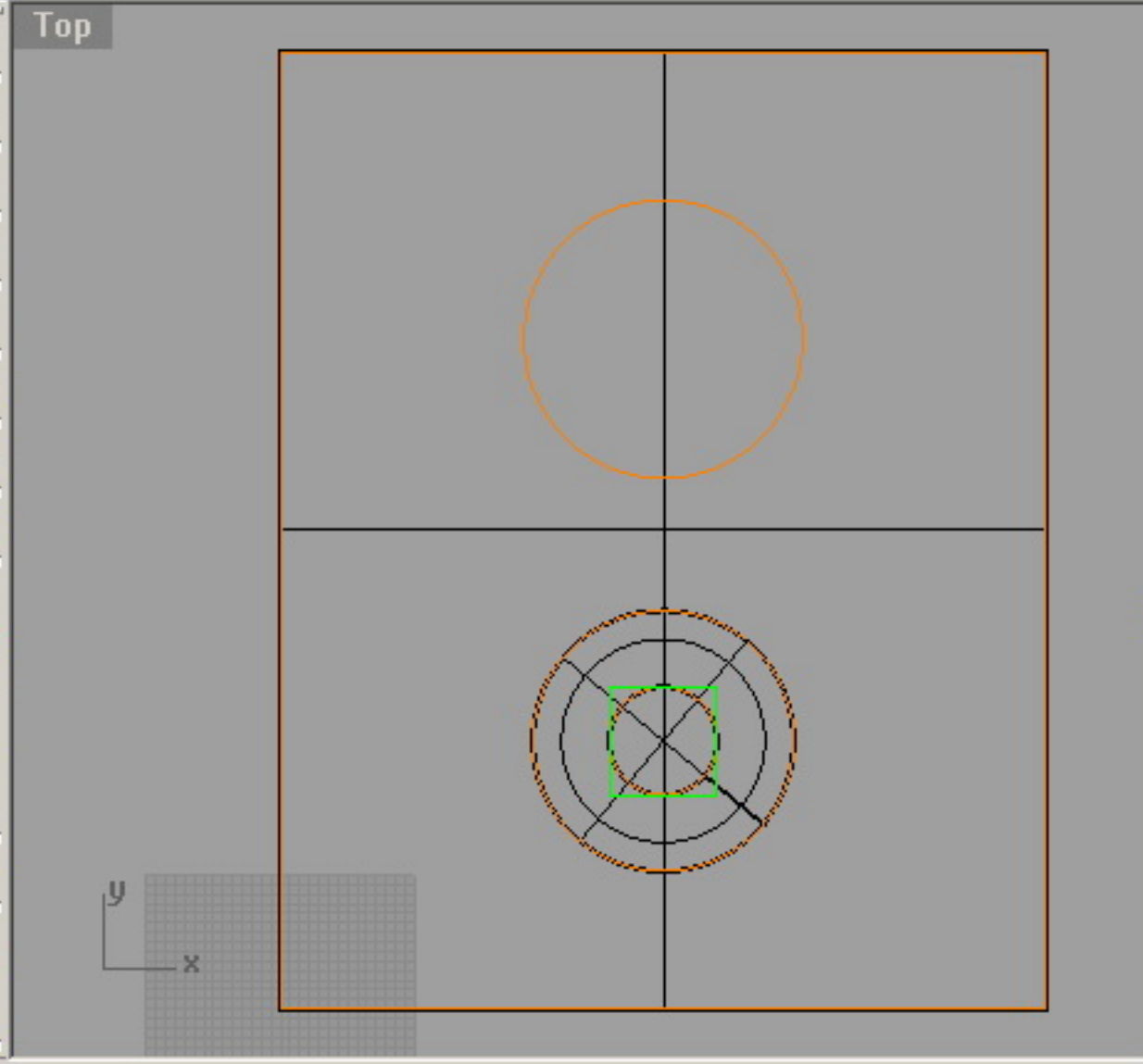
OK Cancel





Enter MadCAM command to execute: Planar

Command:



Layers - All Layers

Name	Color	Icon
Default	Black	Lightbulb
regions	Orange	Lightbulb
Box / Workpiece	Green	Lightbulb
ROUGHING-flat end 6mm_0-Group01	Blue	Lightbulb
Z_LEVELS-ball end 6mm_0-Group02	Red	Lightbulb

### Planar Finishing (Not For Resale)

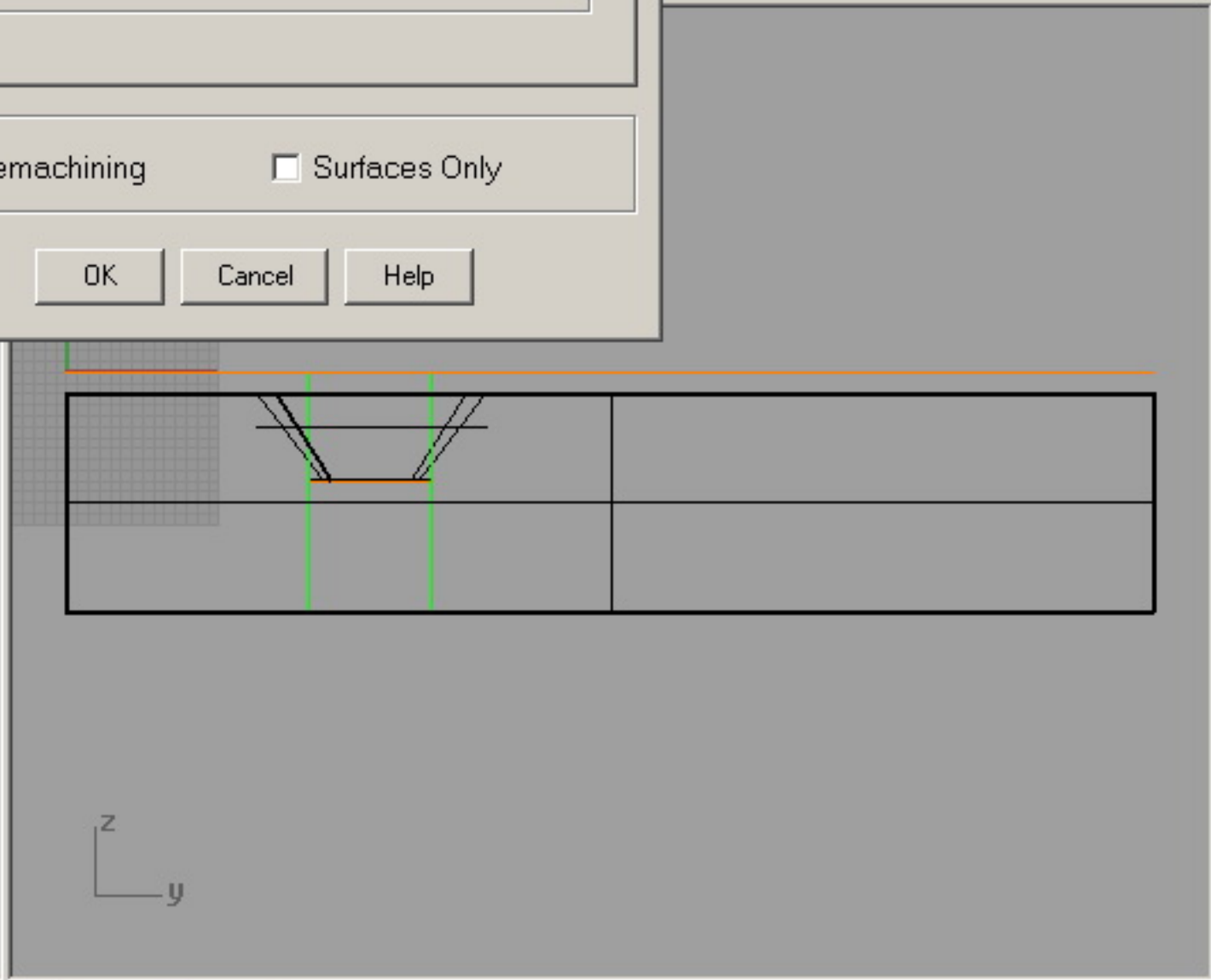
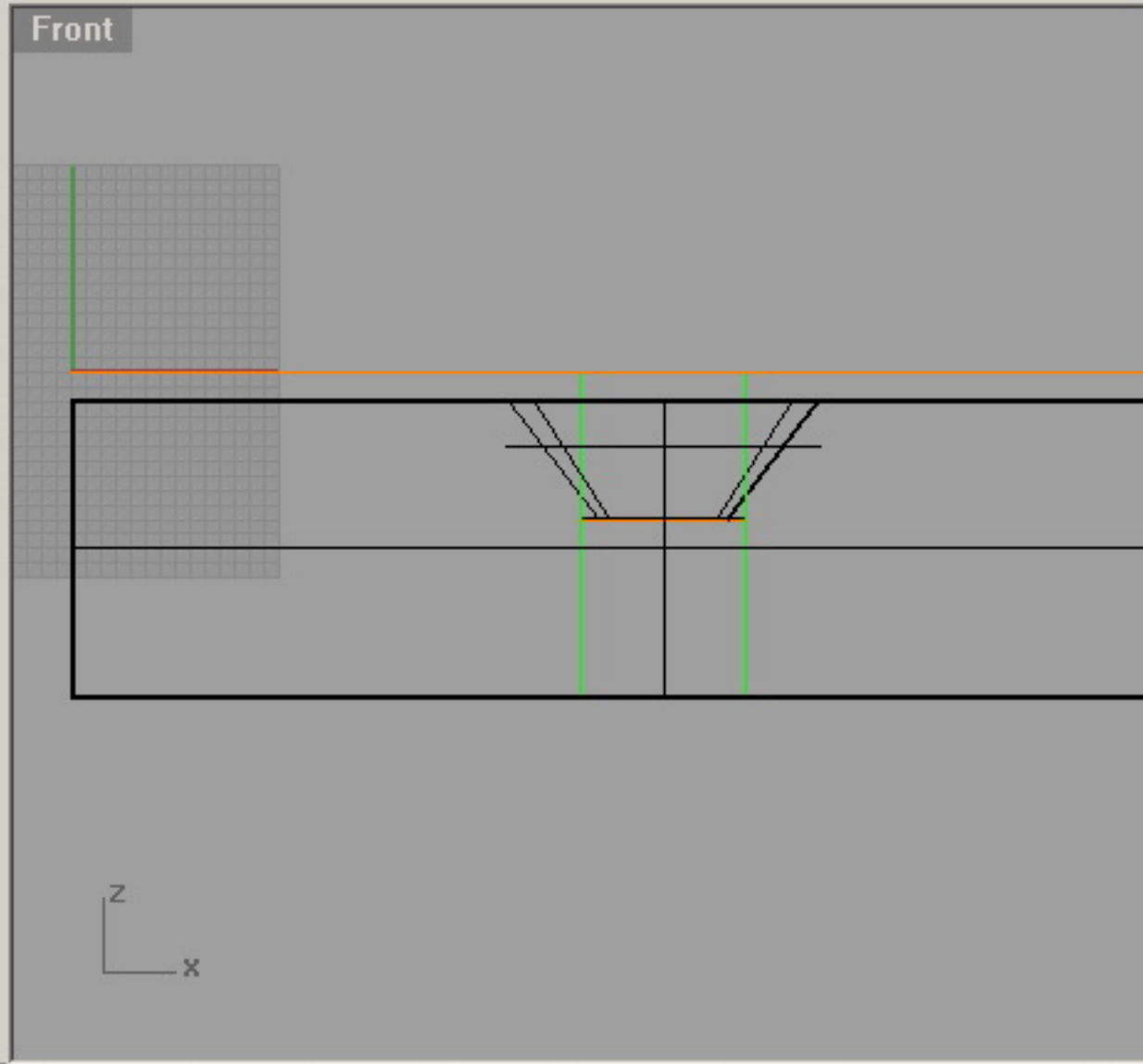
Step Size | Direction | Toolpath Join | Traverse

Step Size

Step Over  0.5643	Angle Limit Measured from horizontal. 0 degree = entire part. 45.0000	Stock To Leave  0.0000
-------------------------	--	------------------------------

Remachining     Surfaces Only

OK    Cancel    Help



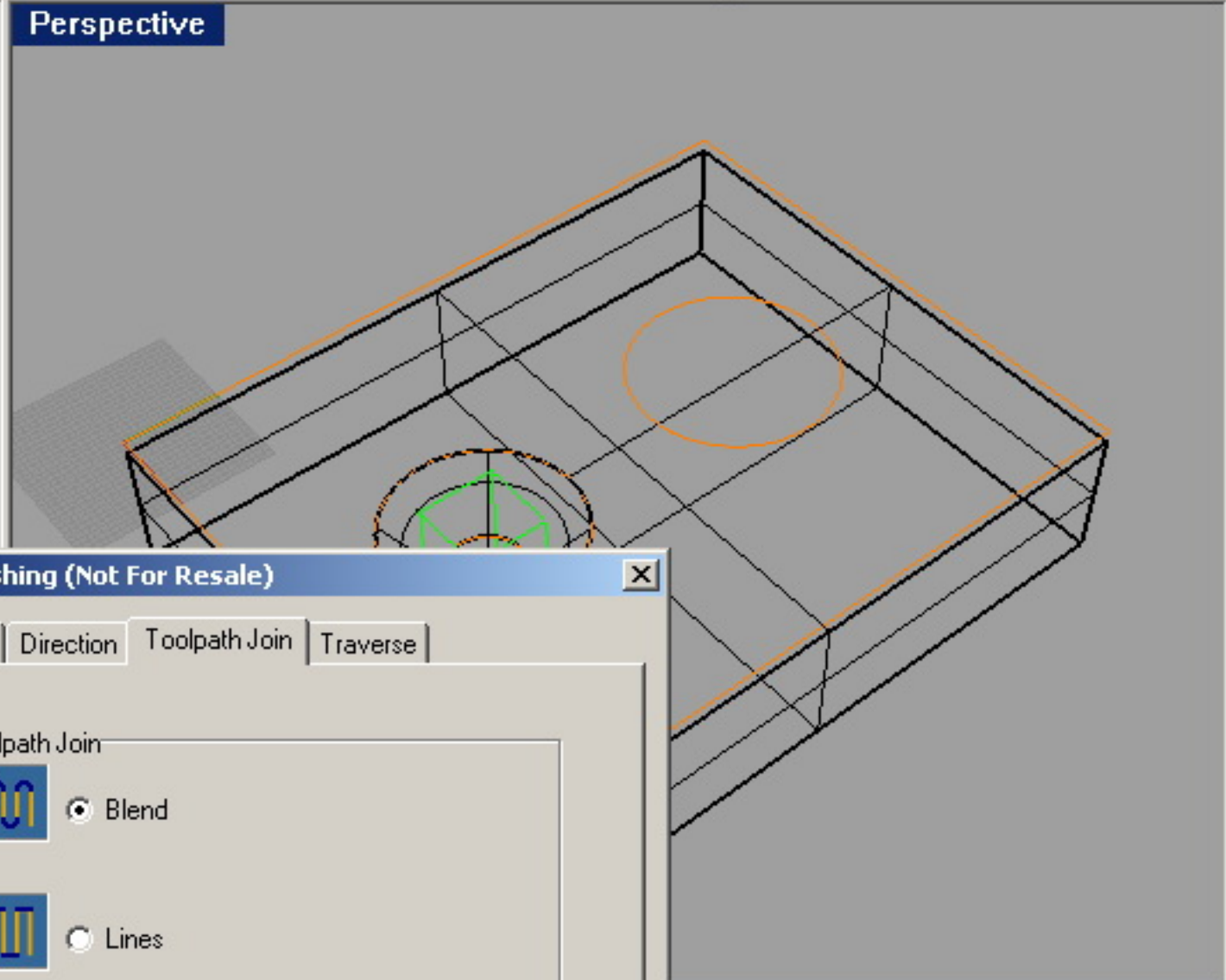
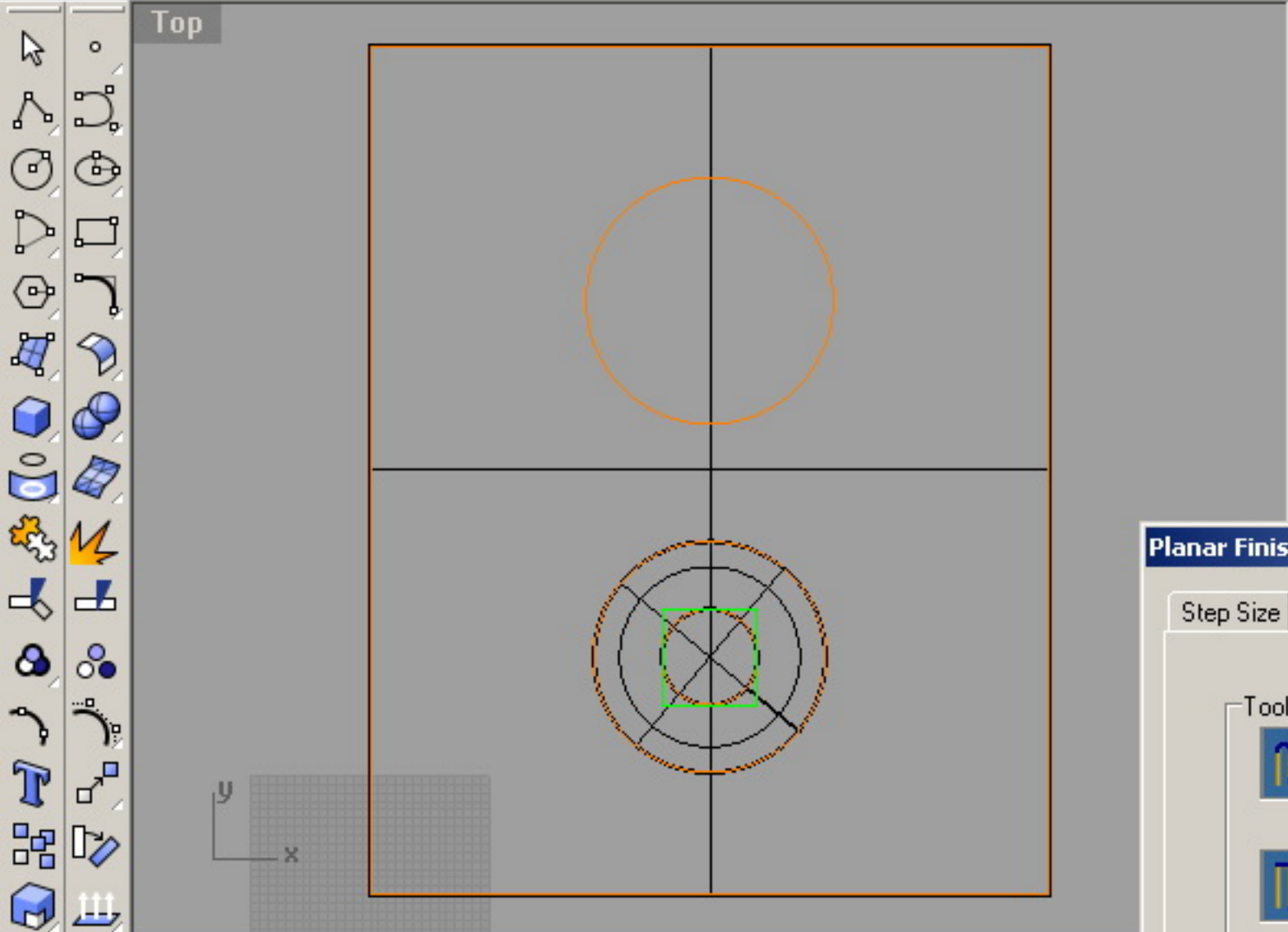
End    Near    Point    Mid    Cen    Int    Perp    Tan    Quad    Knot    Project    STrack    Disable

CPlane x 125.243   y 935.000   z 0.000   Default   Snap   Ortho   Planar   Osnap   Record History



Enter MadCAM command to execute: Planar

Command:



Layers - All Layers

Name	Visibility	Color
Default	<input checked="" type="checkbox"/>	Black
regions	<input type="checkbox"/>	Orange
Box / Workpiece	<input type="checkbox"/>	Green
ROUGHING-flat end 6mm_0-Group01	<input type="checkbox"/>	Blue
Z_LEVELS-ball end 6mm_0-Group02	<input type="checkbox"/>	Red

### Planar Finishing (Not For Resale)

Step Size | Direction | Toolpath Join | Traverse

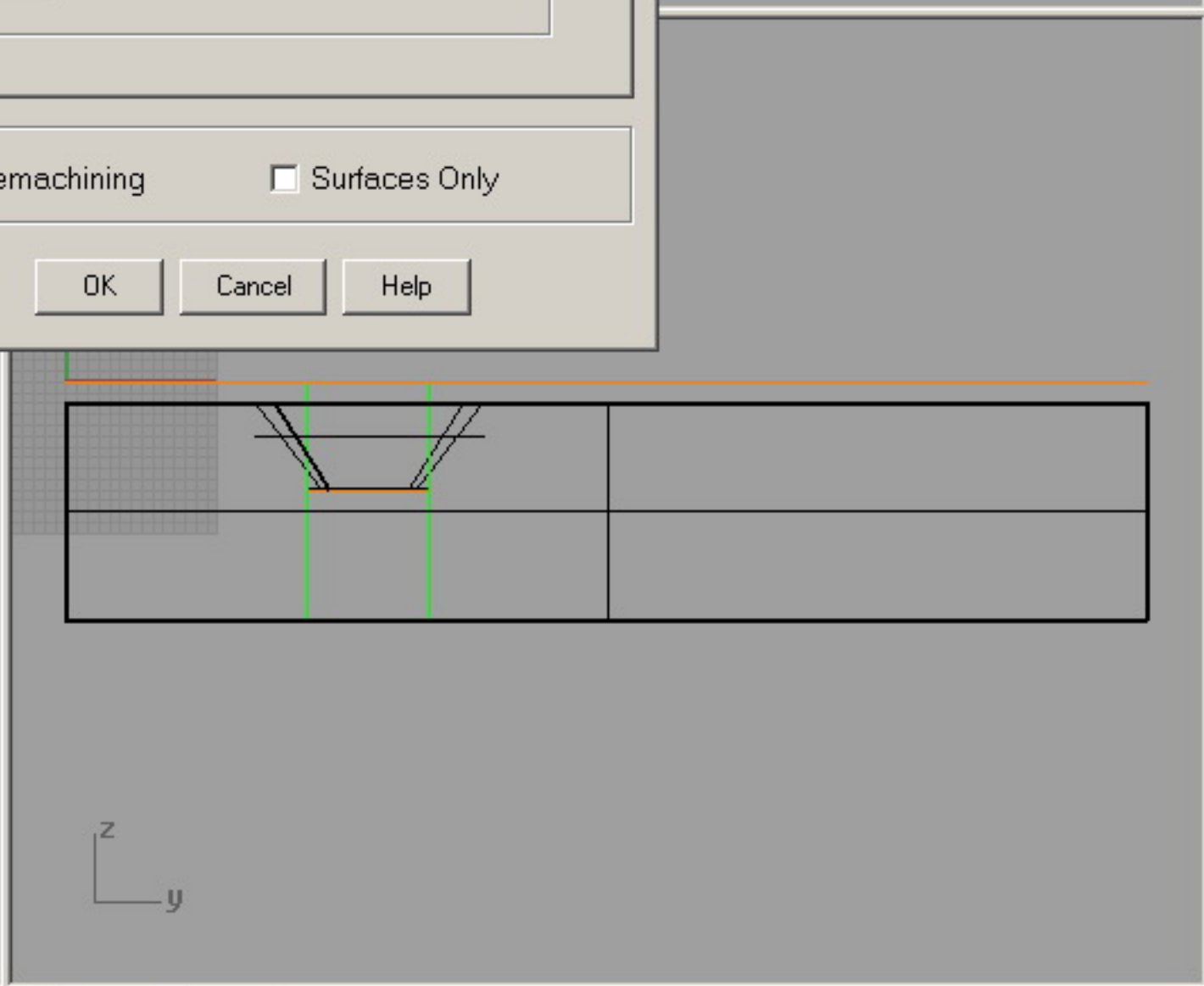
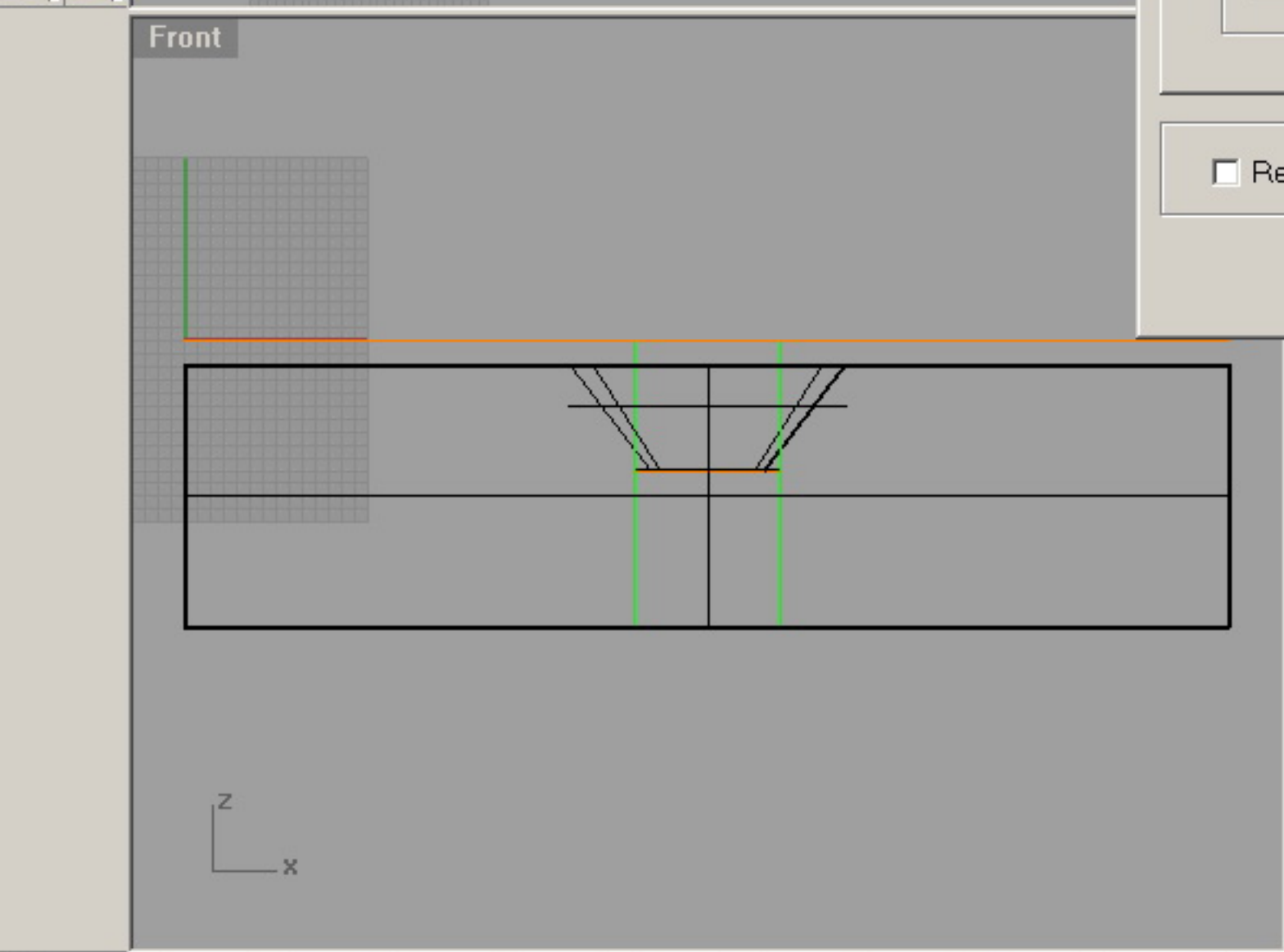
Toolpath Join

Blend

Lines

Remachining     Surfaces Only

OK    Cancel    Help



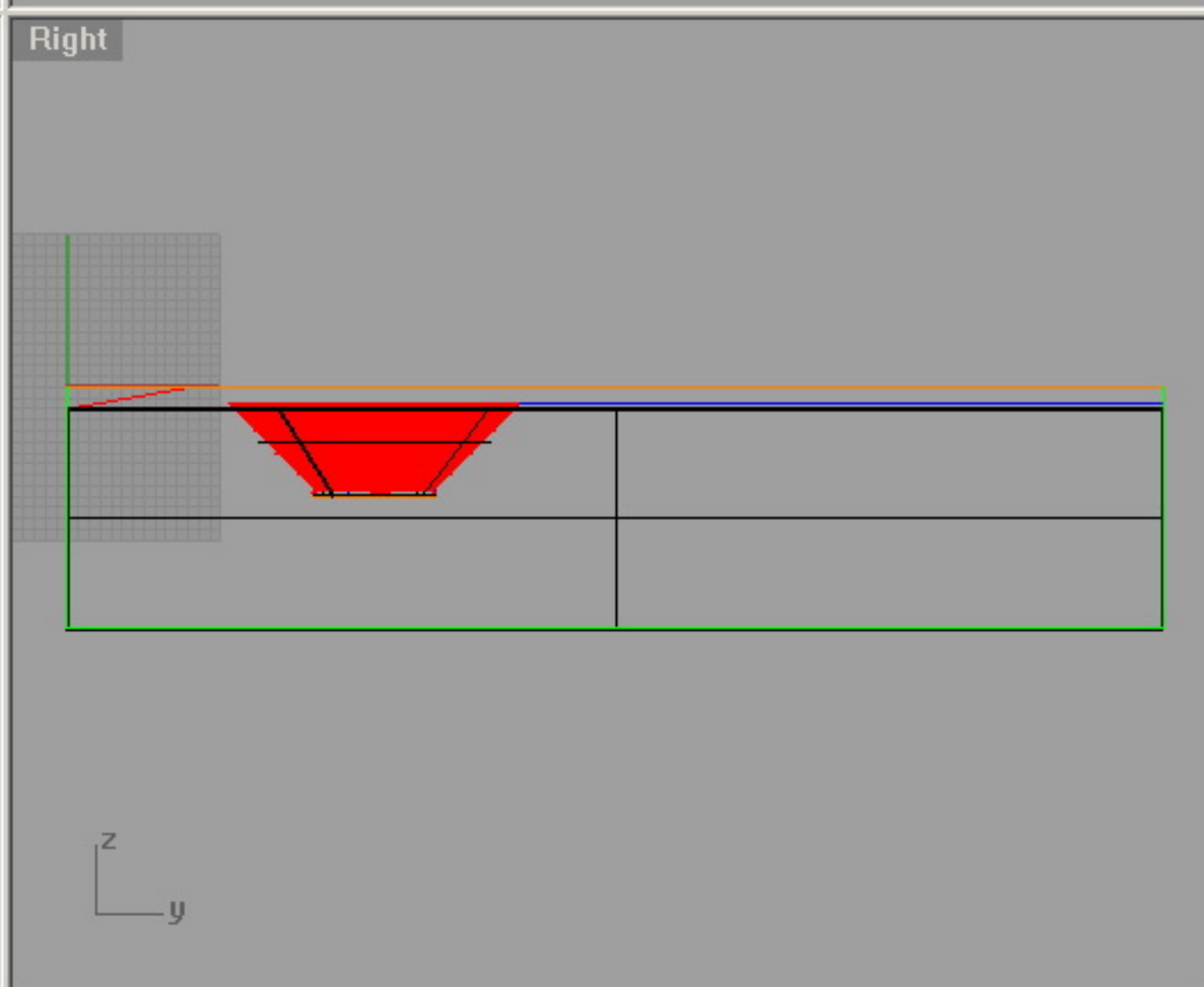
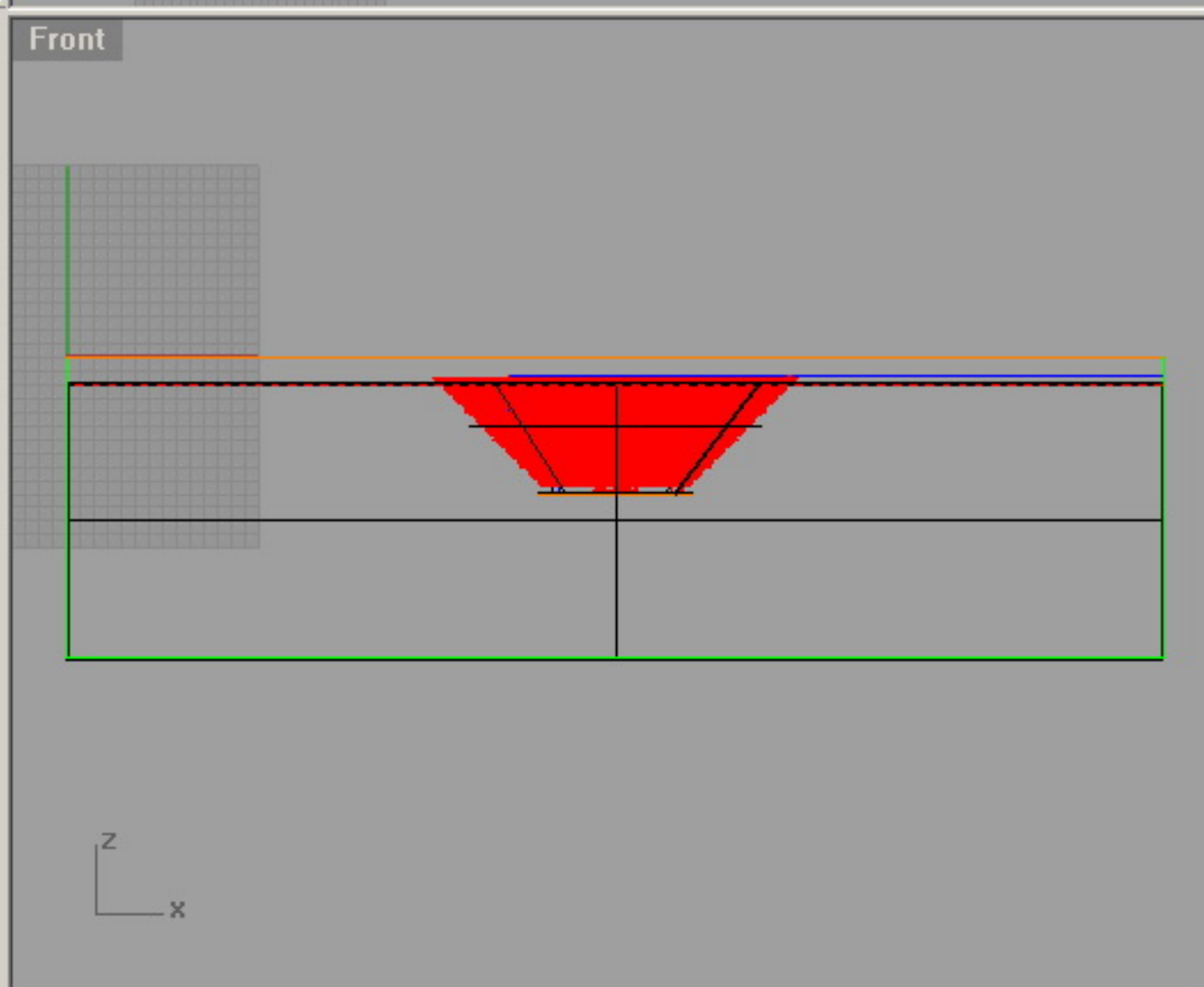
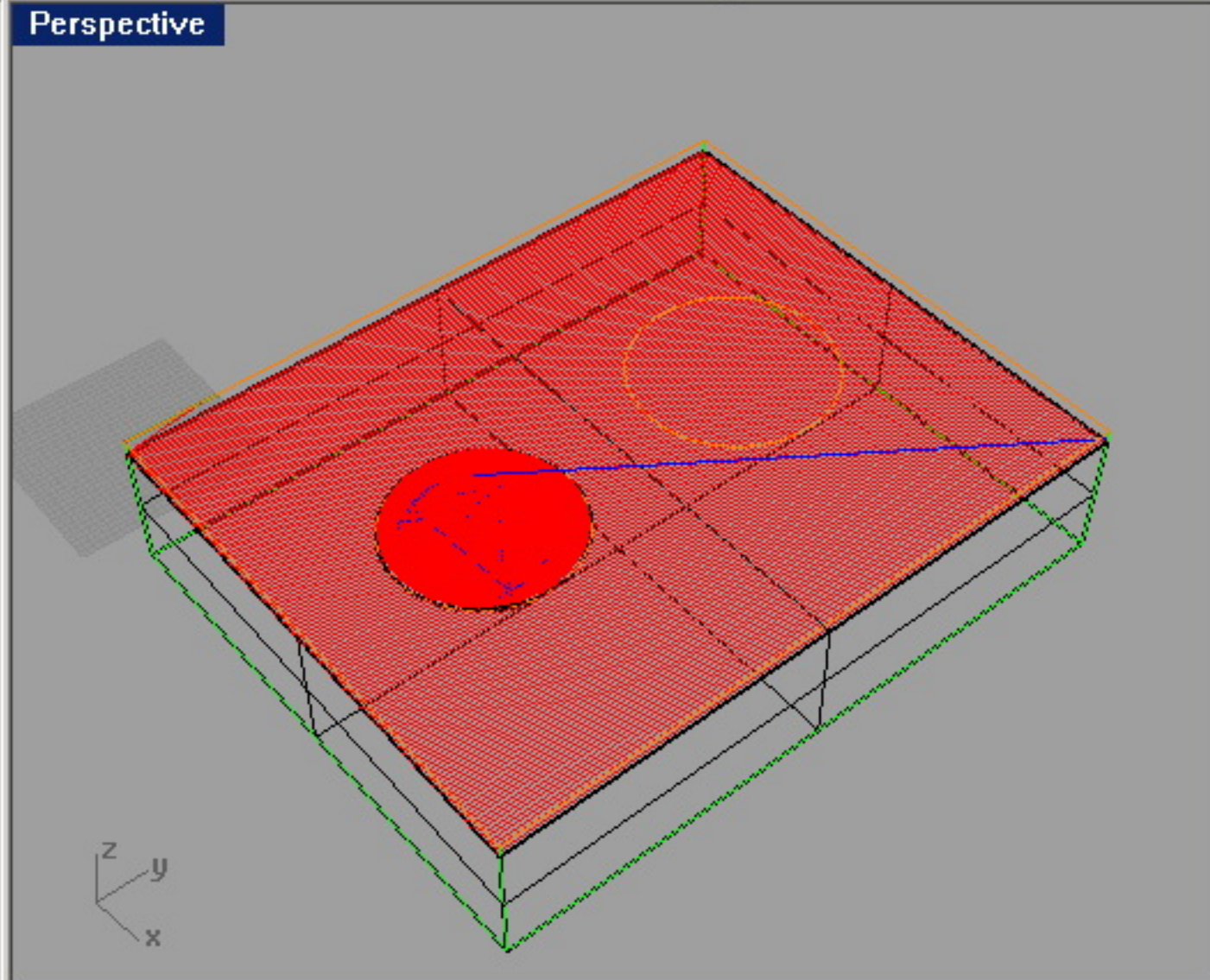
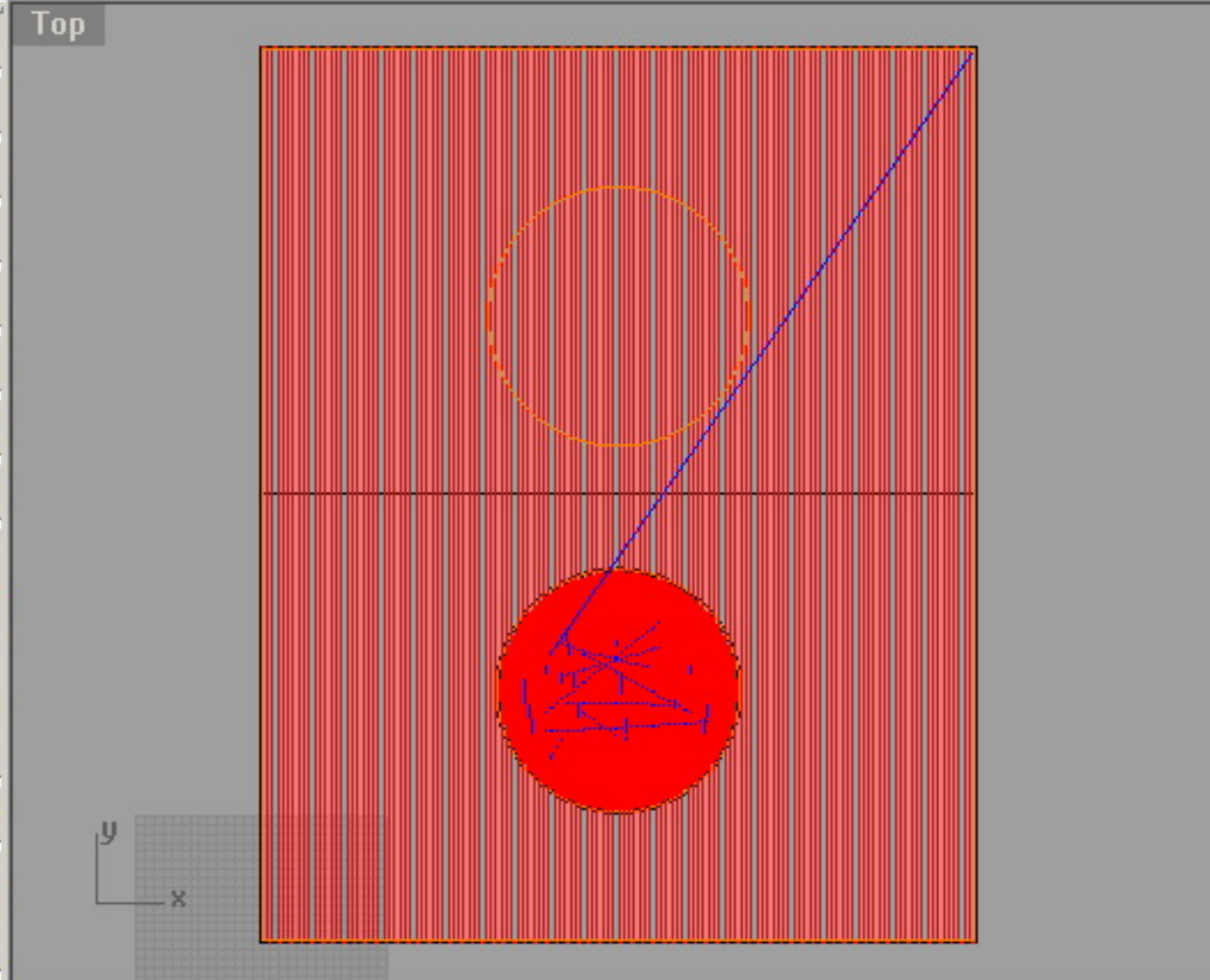
End    Near    Point    Mid    Cen    Int    Perp    Tan    Quad    Knot    Project    STrack    Disable

CPlane x 125.243   y 935.000   z 0.000    Default    Snap   Ortho   Planar    Osnap   Record History



Enter MadCAM command to execute: SIMULATE

Command:



Postprocess

Name	Light	Hide	Color
<b>Default</b>	<input checked="" type="checkbox"/>	<input type="checkbox"/>	<input type="checkbox"/>
regions	<input type="checkbox"/>	<input type="checkbox"/>	<input type="checkbox"/>
Box / Workpiece	<input type="checkbox"/>	<input type="checkbox"/>	<input type="checkbox"/>
ROUGHING-flat end 6mm_0-Group01	<input type="checkbox"/>	<input type="checkbox"/>	<input type="checkbox"/>
<b>Z_LEVELS-ball end 6mm_0-Group02</b>	<input checked="" type="checkbox"/>	<input type="checkbox"/>	<input type="checkbox"/>
PLANAR-flat end 4mm_0-Group03	<input type="checkbox"/>	<input type="checkbox"/>	<input type="checkbox"/>

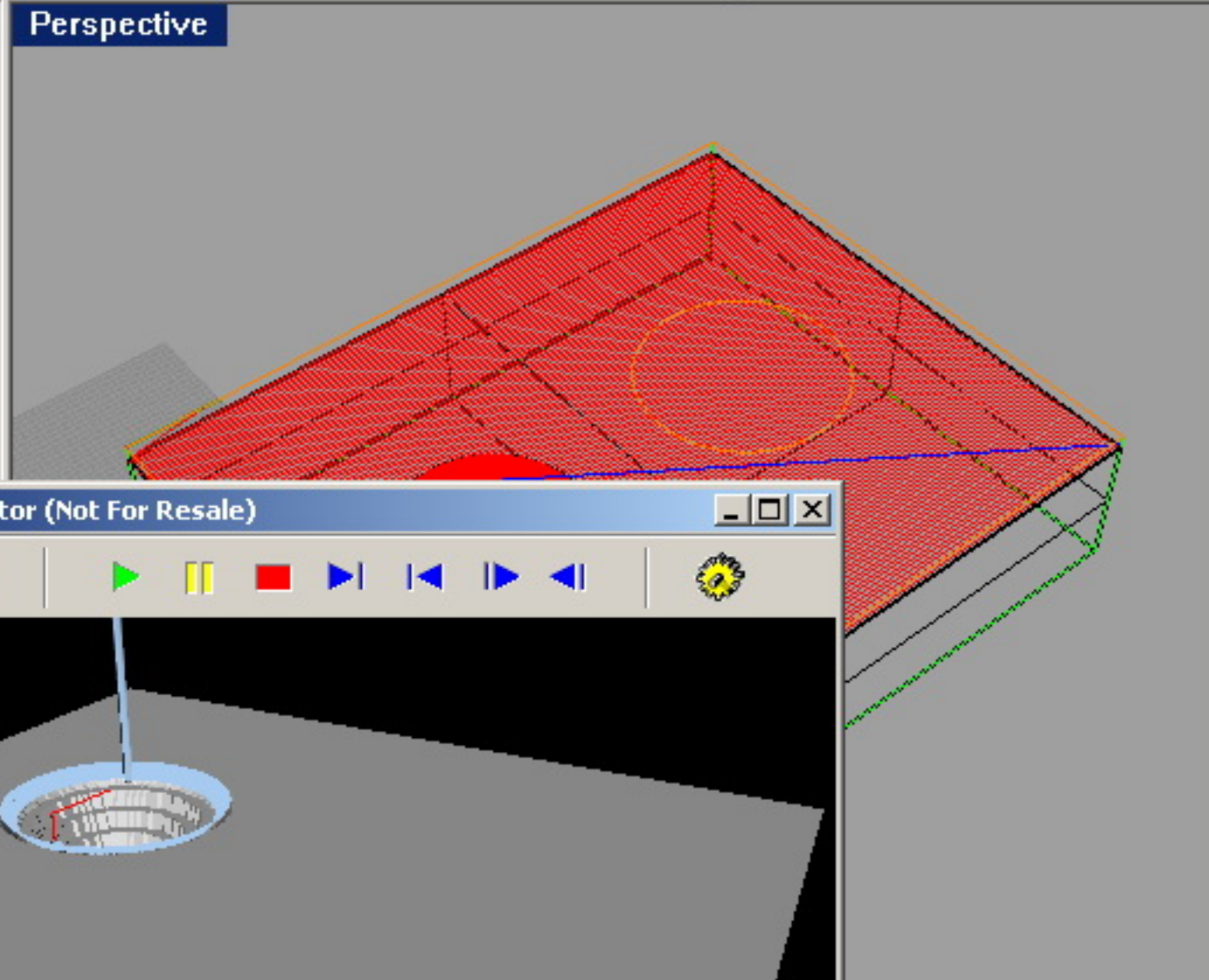
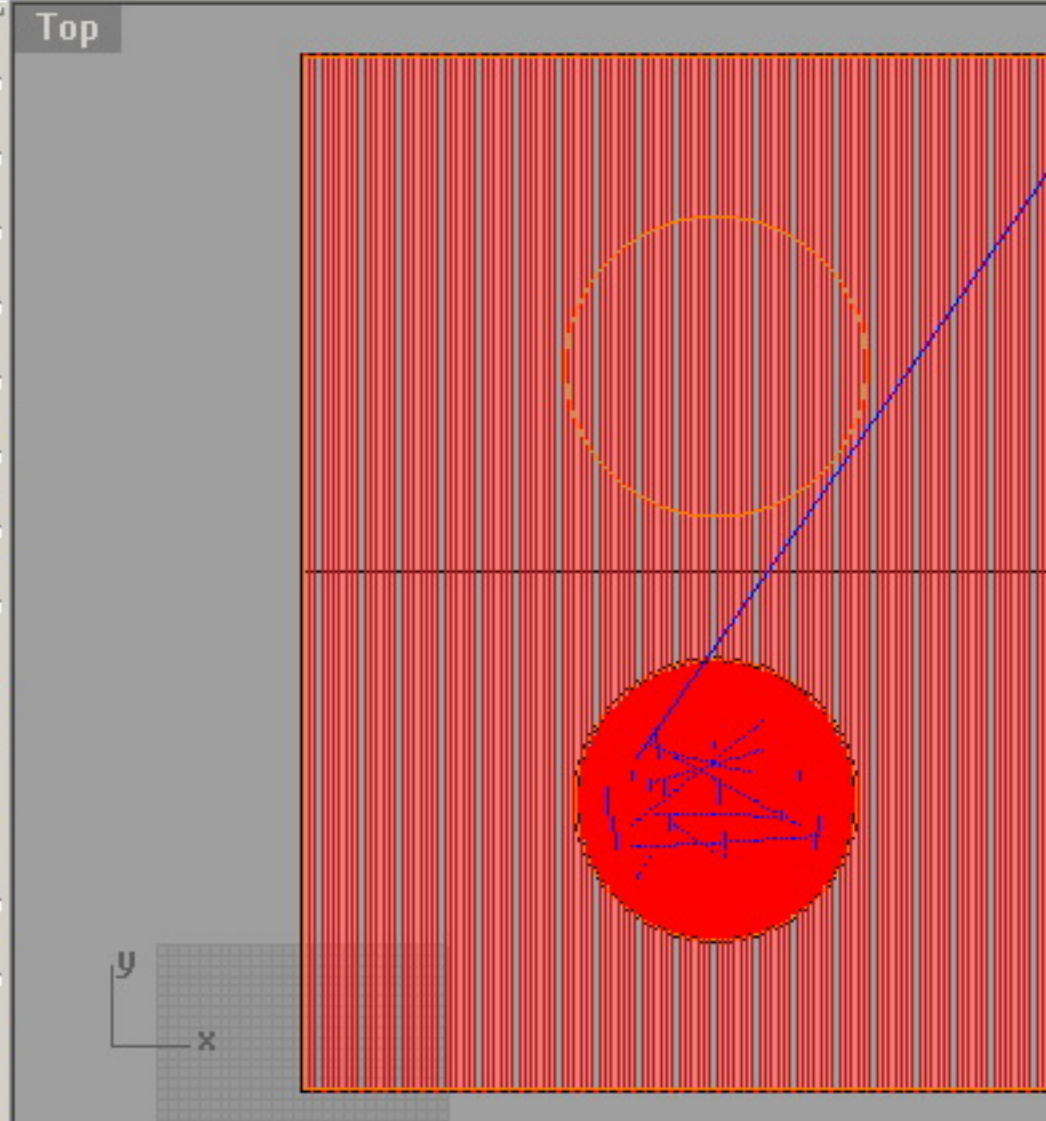
End  Near  Point  Mid  Cen  Int  Perp  Tan  Quad  Knot  Project  STrack  Disable

CPlane x 77.421 y 877.195 z 0.000  Default  Snap  Ortho  Planar  Osnap  Record History



Enter MadCAM command to execute: SIMULATE

Command:

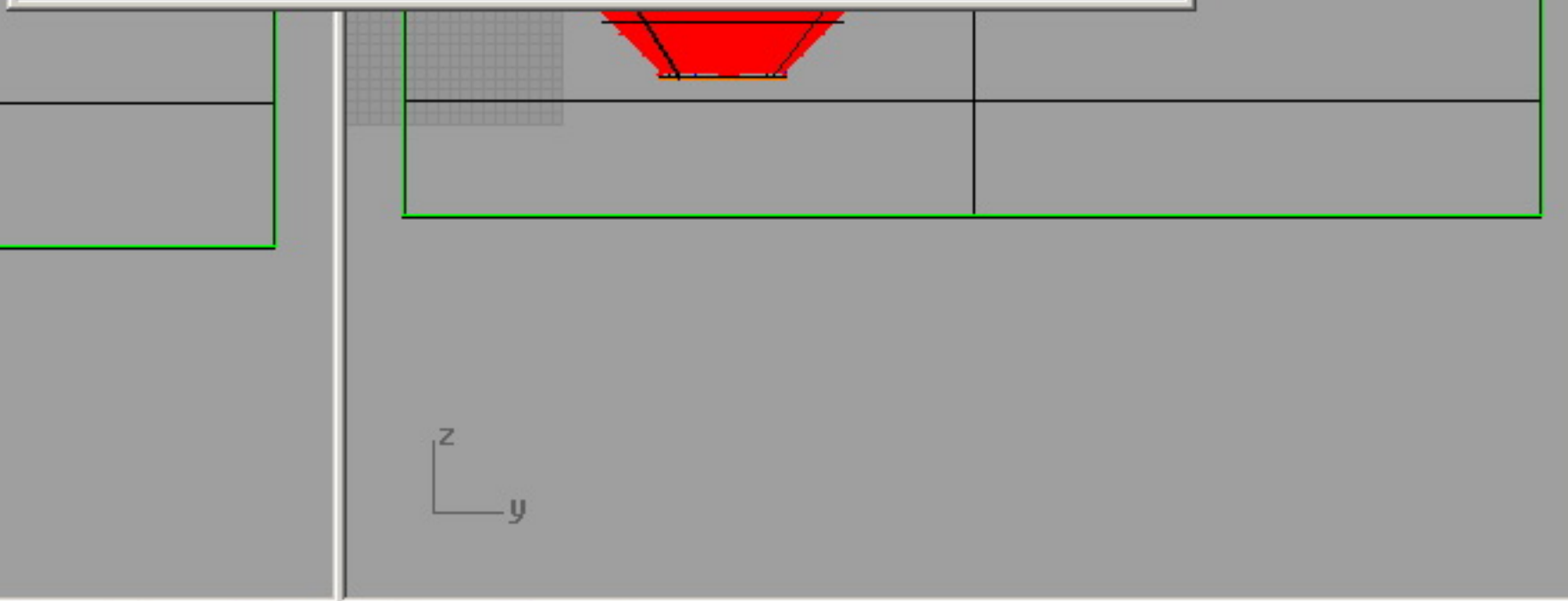
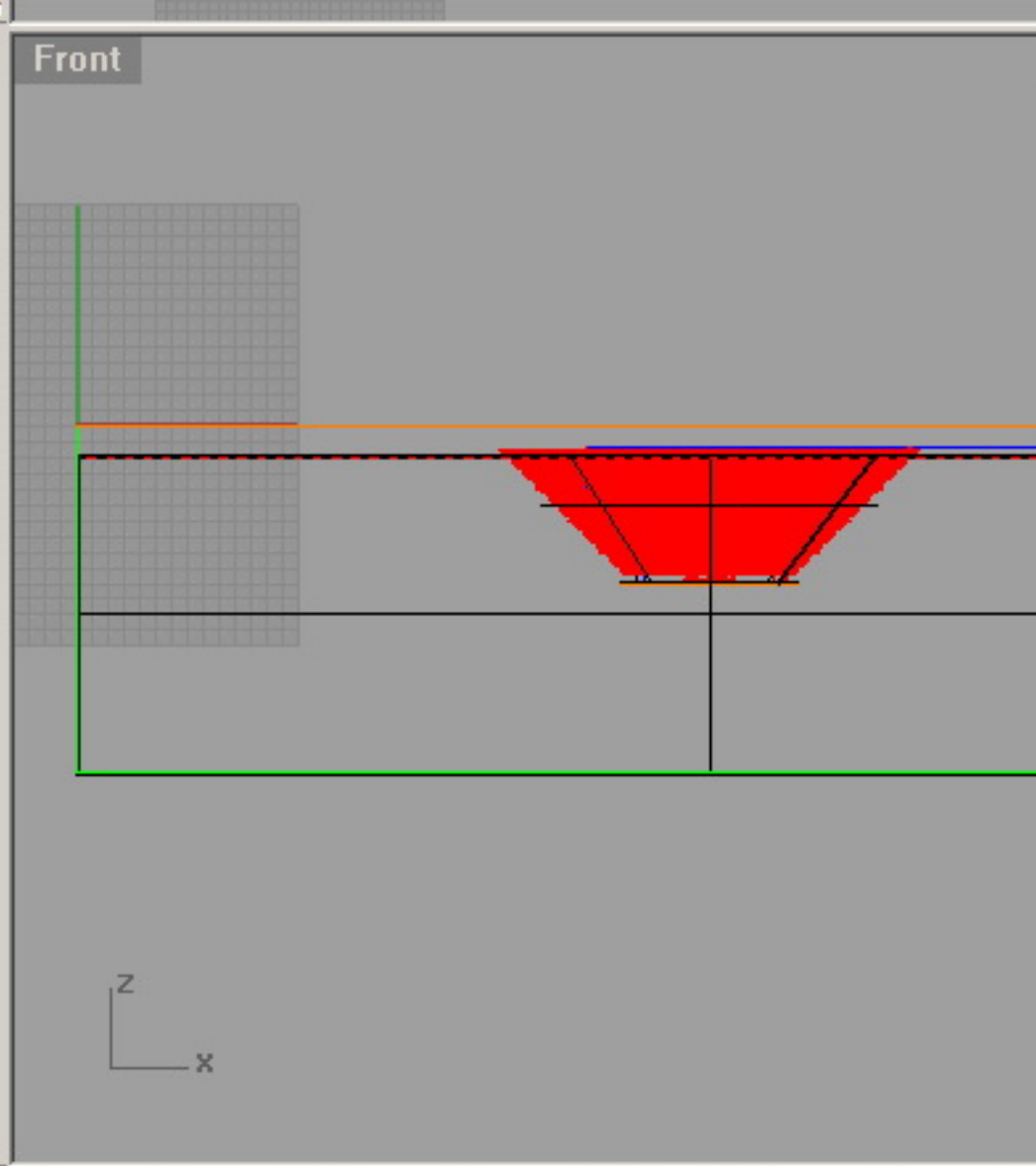


Layers - All Layers

Name	Visible	Locked	Color
Default	<input checked="" type="checkbox"/>	<input type="checkbox"/>	Black
regions	<input type="checkbox"/>	<input type="checkbox"/>	Orange
Box / Workpiece	<input type="checkbox"/>	<input type="checkbox"/>	Green
ROUGHING-flat end 6mm_0-Group01	<input type="checkbox"/>	<input type="checkbox"/>	Red
Z_LEVELS-ball end 6mm_0-Group02	<input checked="" type="checkbox"/>	<input type="checkbox"/>	Red
PLANAR-flat end 4mm_0-Group03	<input type="checkbox"/>	<input type="checkbox"/>	Red

madCAM Cut Simulator (Not For Resale)

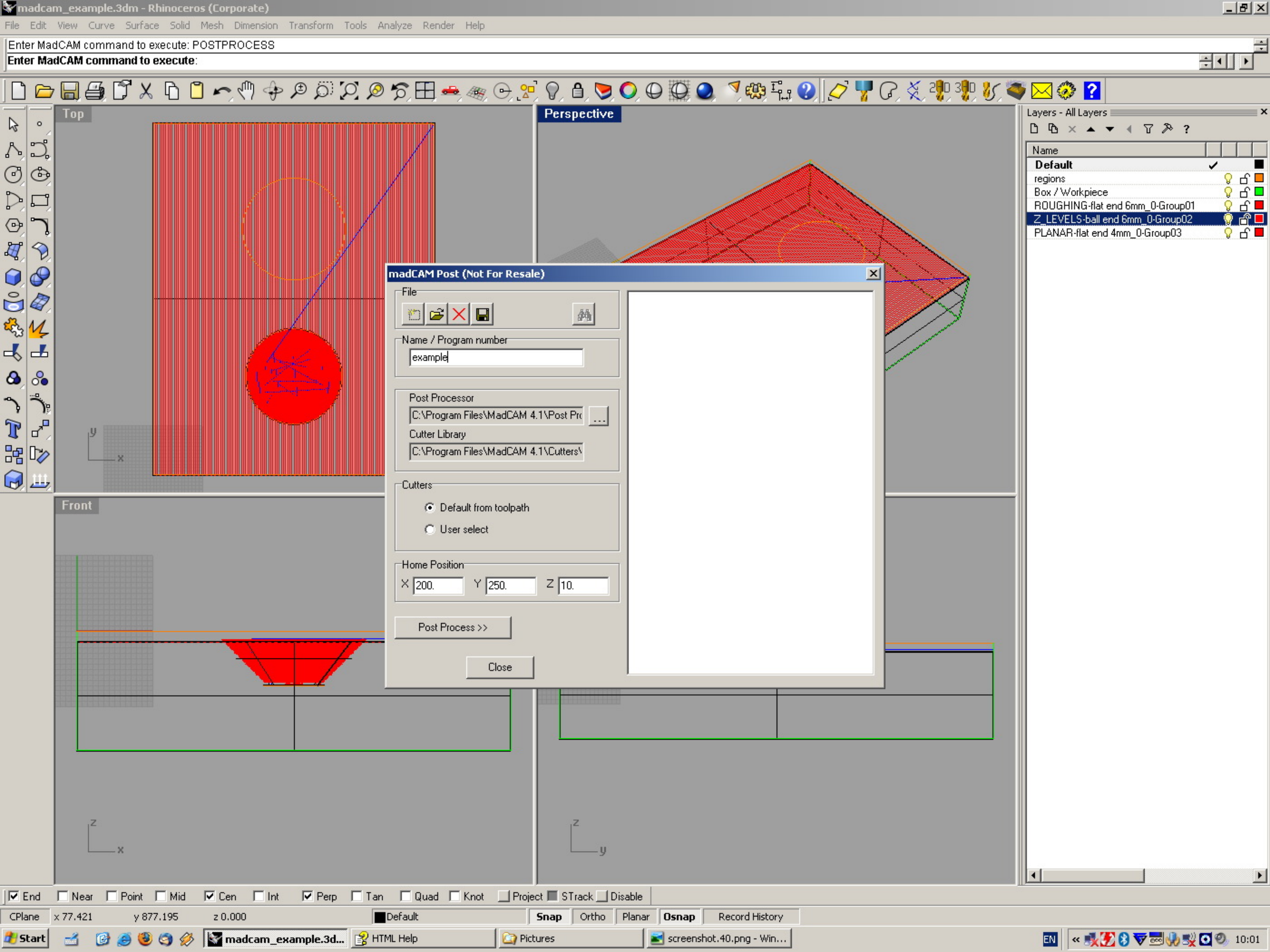
x 150.1794 y 110.4043 z -15.9766 a b



End  Near  Point  Mid  Cen  Int  Perp  Tan  Quad  Knot  Project  STrack  Disable

CPlane x 413.118 y 163.536 z 0.000 Default Snap Ortho Planar Osnap Record History

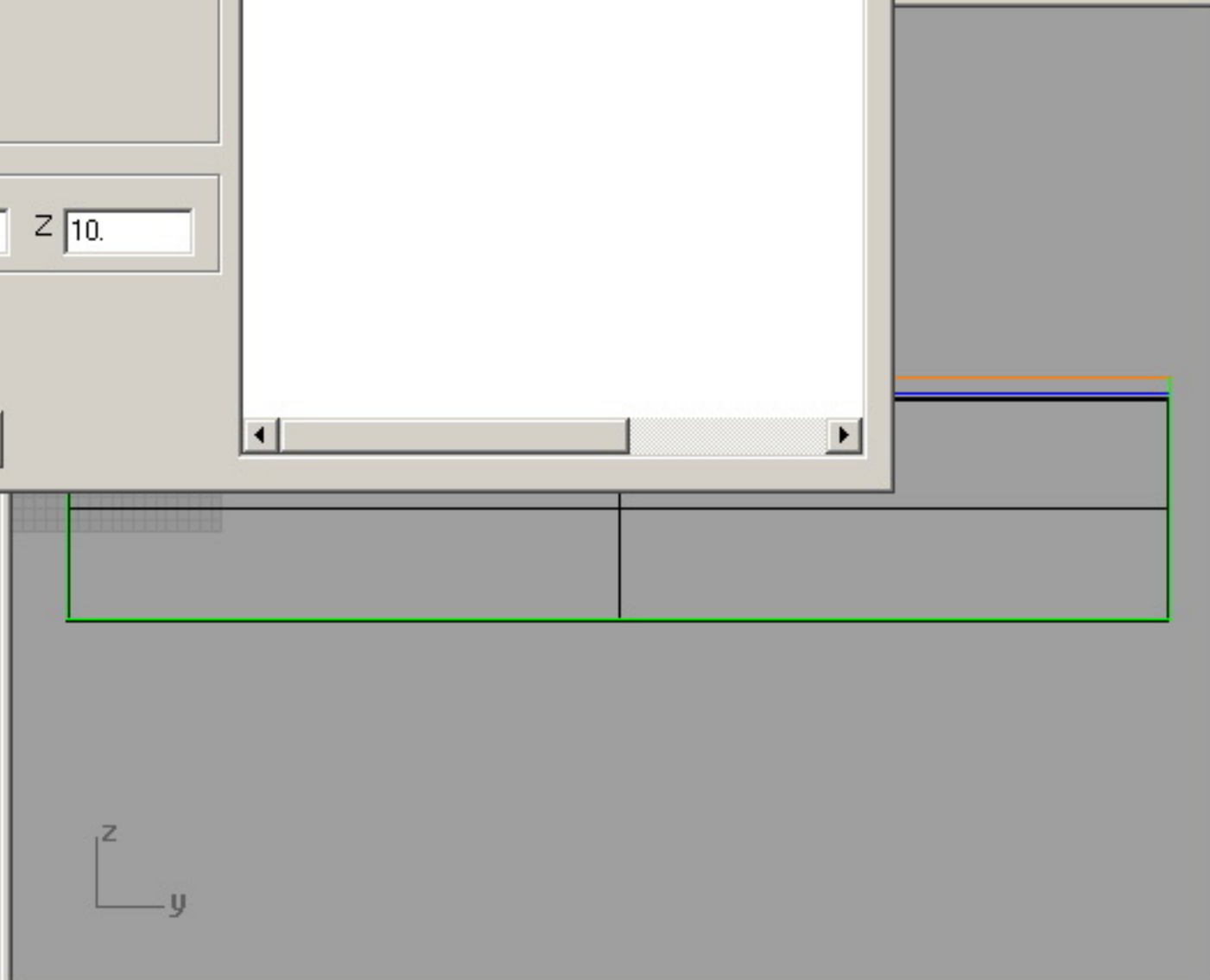
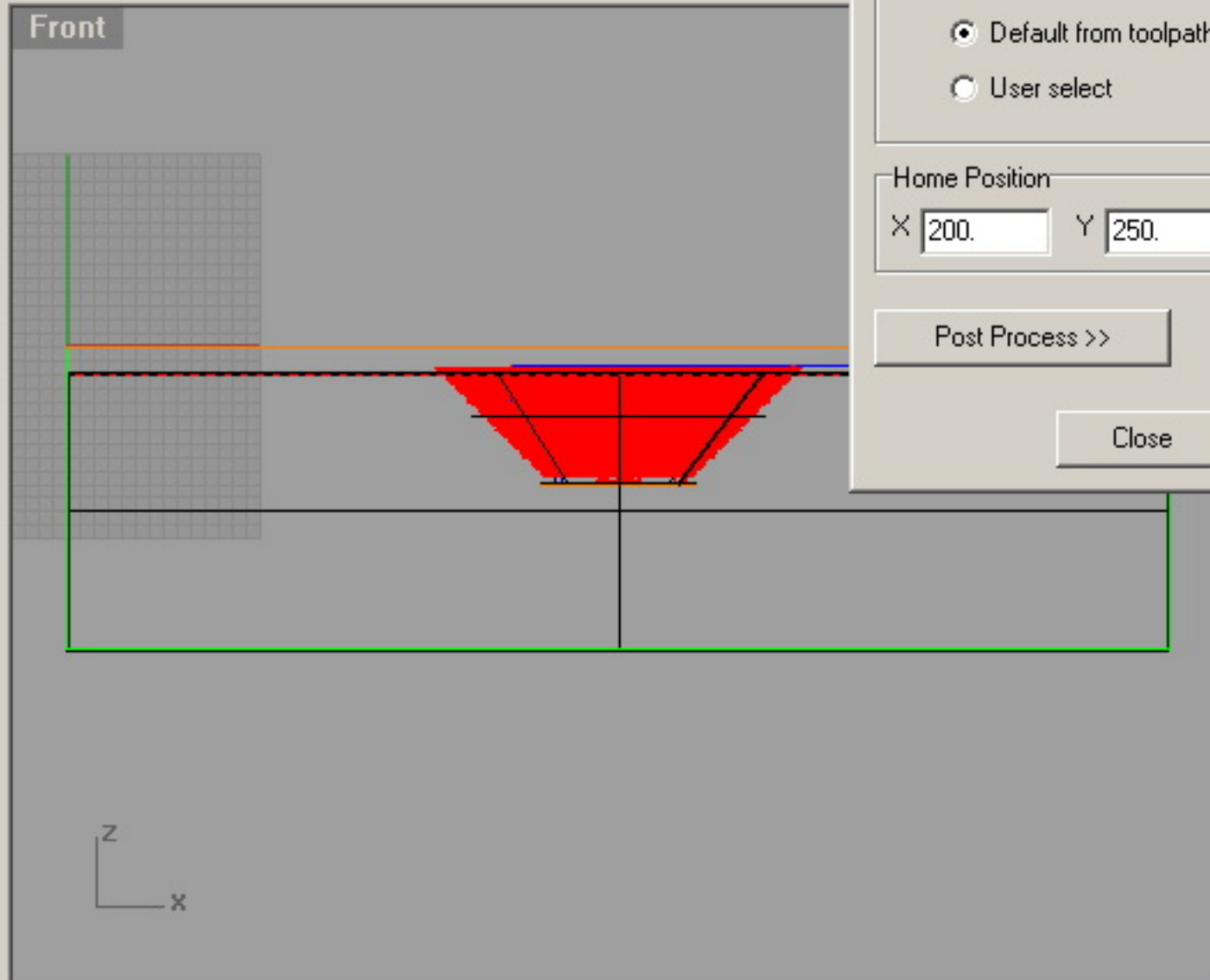
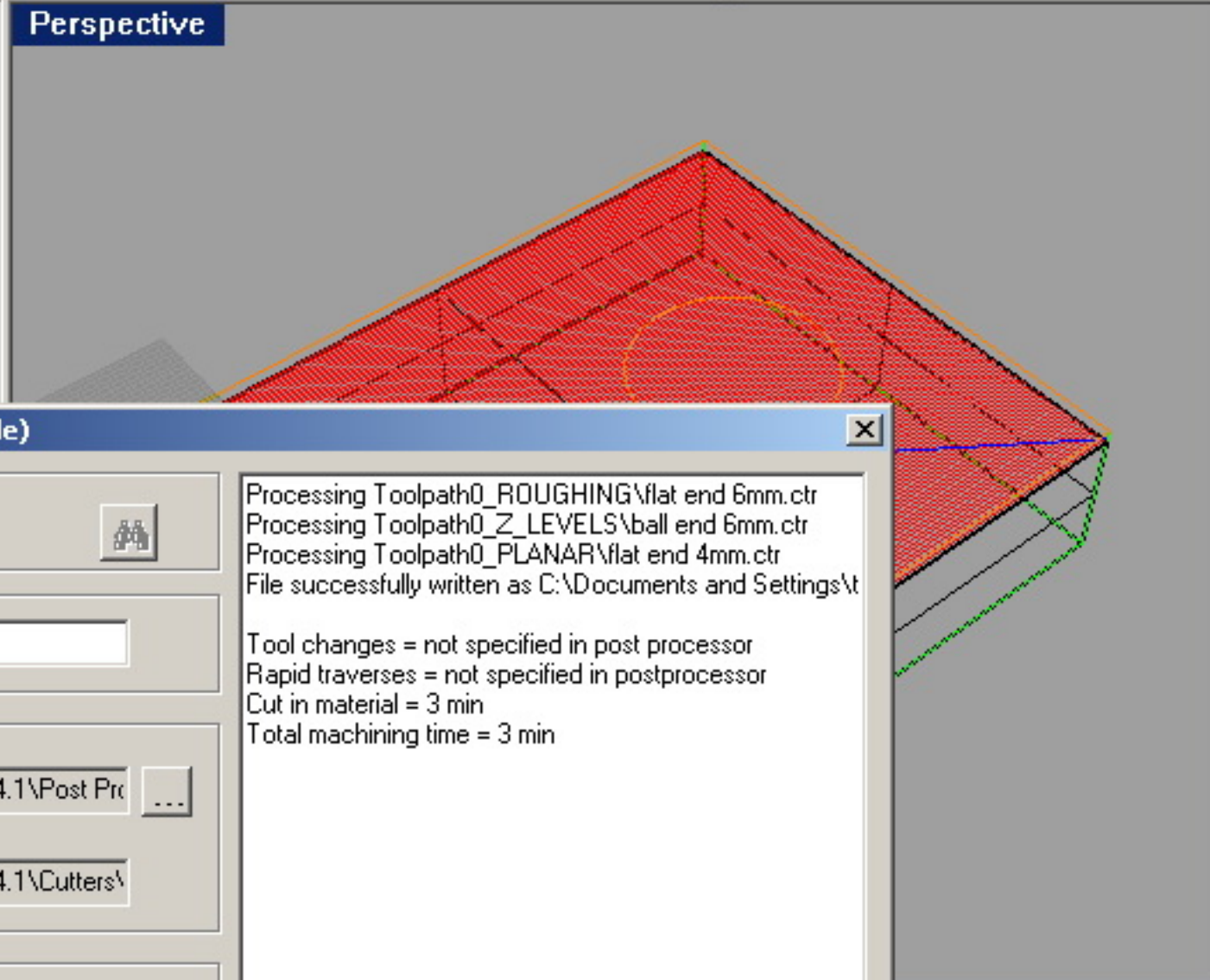
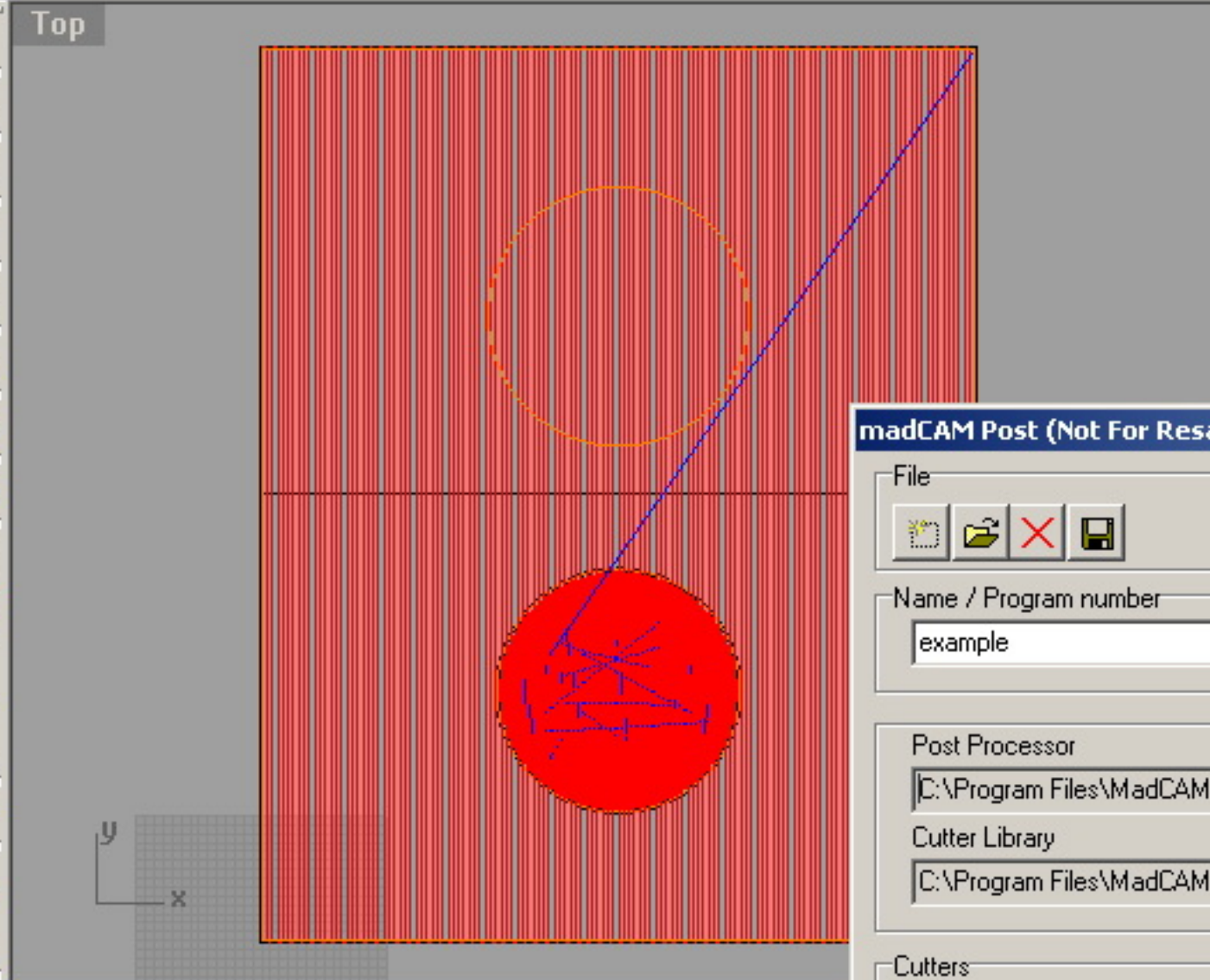






Total machining time = 3 min

Enter MadCAM command to execute:



Layers - All Layers

Name	Visible	Locked	Color
Default	<input checked="" type="checkbox"/>	<input type="checkbox"/>	Black
regions	<input type="checkbox"/>	<input type="checkbox"/>	Orange
Box / Workpiece	<input type="checkbox"/>	<input type="checkbox"/>	Green
ROUGHING-flat end 6mm_0-Group01	<input type="checkbox"/>	<input type="checkbox"/>	Red
Z_LEVELS-ball end 6mm_0-Group02	<input checked="" type="checkbox"/>	<input type="checkbox"/>	Blue
PLANAR-flat end 4mm_0-Group03	<input type="checkbox"/>	<input type="checkbox"/>	Red

**madCAM Post (Not For Resale)**

File:

Name / Program number:

Post Processor:  ...

Cutter Library:

Cutters:   
 Default from toolpath   
 User select

Home Position:   
X:  Y:  Z:

Post Process >>   
 Close

```

Processing Toolpath0_ROUGHING\flat end 6mm.ctr
Processing Toolpath0_Z_LEVELS\ball end 6mm.ctr
Processing Toolpath0_PLANAR\flat end 4mm.ctr
File successfully written as C:\Documents and Settings\t
Tool changes = not specified in post processor
Rapid traverses = not specified in postprocessor
Cut in material = 3 min
Total machining time = 3 min

```





```

example.ncp - WordPad
File Edit View Insert Format Help
N1 IMF_PBL
N2 SPINDLE CW RPM0
N3 VEL 35000
N4 FASTVEL 50000
N5 GETTOOL 1 ; flat end 6mm
N6 SPINDLE CW RPM15000
N7 FASTVEL 50000
N8 FASTABS X 2 Y56713
N9 FASTABS Z3000
N10 VEL 35000
N11 MOVEABS Z 0
N12 VEL 35000
N13 MOVEABS Y 0 Z-10000
N14 MOVEABS Y500000
N15 MOVEABS X 24 Y500128
N16 MOVEABS X 86 Y500242
N17 MOVEABS X 183 Y500343
N18 MOVEABS X 312 Y500430
N19 MOVEABS X 468 Y500504
N20 MOVEABS X 647 Y500564
N21 MOVEABS X 843 Y500611
N22 MOVEABS X1053 Y500645
N23 MOVEABS X1271 Y500665
N24 MOVEABS X1495 Y500672
N25 MOVEABS X1718 Y500665
N26 MOVEABS X1936 Y500645
N27 MOVEABS X2146 Y500611
N28 MOVEABS X2342 Y500564
N29 MOVEABS X2521 Y500504
N30 MOVEABS X2677 Y500430
N31 MOVEABS X2806 Y500343
N32 MOVEABS X2903 Y500242
N33 MOVEABS X2965 Y500128
N34 MOVEABS X2987 Y500000
N35 MOVEABS Y 0
N36 MOVEABS X3009 Y-128
N37 MOVEABS X3071 Y-242
N38 MOVEABS X3168 Y-343
N39 MOVEABS X3297 Y-430
N40 MOVEABS X3453 Y-504

```

Find

Find what: GETTOOL

Match whole word only

Match case

Find Next

Cancel

Layers - All Layers

Name	Color	Visibility
nd 6mm_0-Group01	Light Blue	Visible
nd 6mm_0-Group02	Light Green	Visible
4mm_0-Group03	Light Red	Visible